

# Condensate and seal pots Model CP

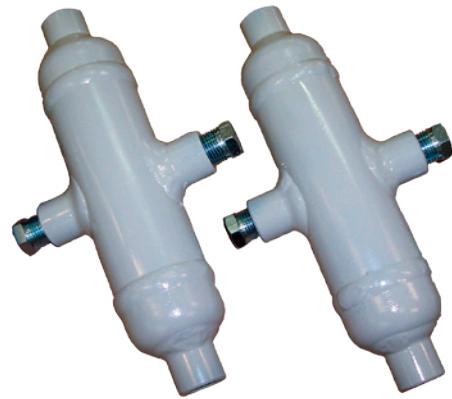
WIKA data sheet FL 10.12

## Applications

- Seal pots are used for the measurement of high-density and corrosive media.
- Condensate pots are mainly used for the measurement of steam.

## Special features

- Seal and condensate pots are manufactured from seamless pipes with welded and hot-formed caps.
- RX tests are not required.



Condensate and seal pots, model CP

## Description

### Seal pots

Seal pots are used in the flow measurement of high-density and corrosive media to protect differential pressure measuring instruments from these media.

The seal pots are filled with an unmixable sealing liquid which, due to the difference in density, forms a sealing layer towards the medium. This sealing layer ensures that the measuring line to which the differential measuring instrument is connected is separated from the medium. The sealing liquid serves as a pressure transmission medium.

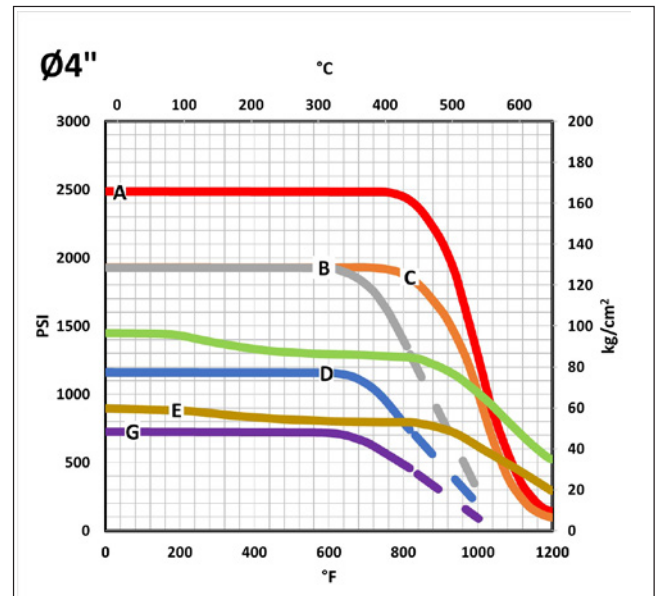
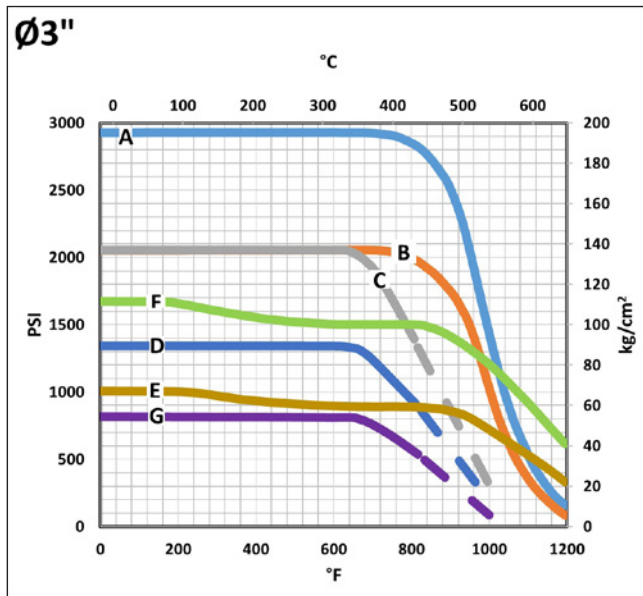
### Condensate pots

Condensate pots are indispensable for the measurement of steam. They maintain a constant condensate head within the measuring line above the differential pressure transmitter in order to ensure an accurate measurement.

# Specifications

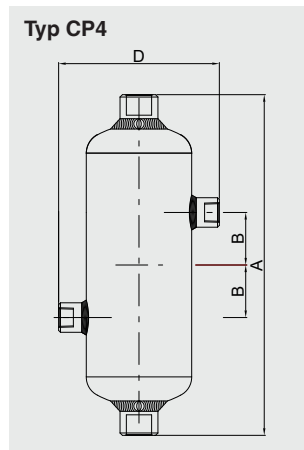
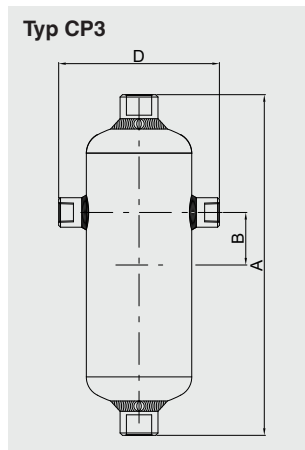
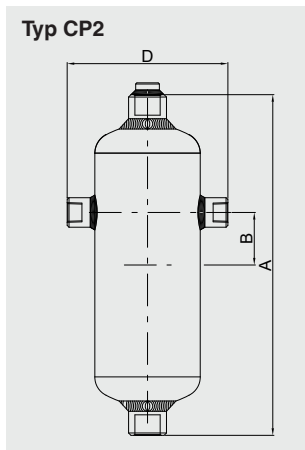
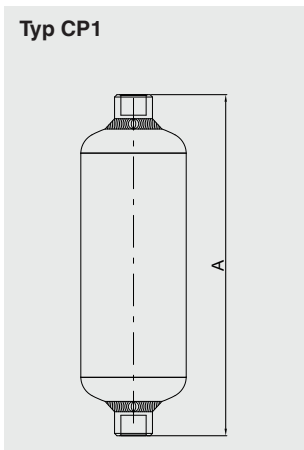
Specifications	
Number of tappings	2, 3, 4, 5, 6, 9 (see drawings)
Thread	½ NPT (female) ½ SW ½ BW Others on request
Nominal size	2", 3", 4", 6"
Pipe schedule	Schedule 40, 80, 160, XXS Pipe schedules per ANSI B36-10
Material	A 106 B A 333 grade 6 A 335 grade P11 A 335 grade P22 A 335 grade P91 SS 304 / 304L SS 316 / 316L Others on request

## Maximum permissible non-shock operating pressure

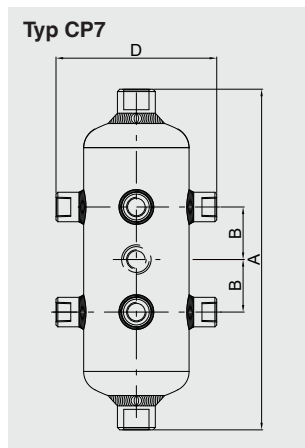
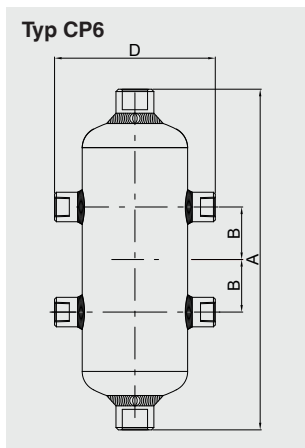
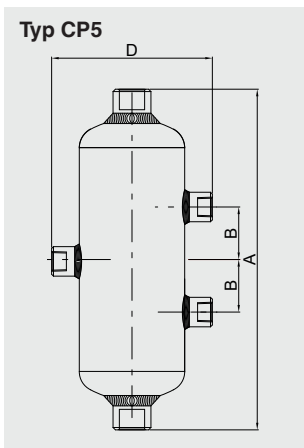


- |                                 |                              |
|---------------------------------|------------------------------|
| A A 335 grade P22, schedule XXS | E SS 316, schedule 40        |
| B A 335 grade P22, schedule 160 | F SS 316, schedule 80        |
| C A 106 grade B, schedule 160   | G A 106 grade B, schedule 40 |
| D A 106 grade B, schedule 80    |                              |

## Dimensions in inch



Model	CP1			CP2			CP3			CP4		
Dimension	A	B	D	A	B	D	A	B	D	A	B	D
3" schedule 40	300	-	136	290	32	136	300	32	136	300	32	136
3" schedule 80	300	-	136	290	32	136	300	32	136	300	32	136
3" schedule 160	300	-	136	290	32	136	300	32	136	300	32	136
3" schedule XXS	300	-	136	290	32	136	300	32	136	300	32	136
4" schedule 40	355	-	136	345	57	136	355	57	136	355	57	136
4" schedule 80	355	-	136	345	57	136	355	57	136	355	57	136
4" schedule 160	355	-	136	345	57	136	355	57	136	355	57	136
4" schedule XXS	355	-	136	345	57	136	355	57	136	355	57	136



Model	CP5			CP6			CP7		
Dimension	A	B	D	A	B	D	A	B	D
3" schedule 40	300	32	136	300	32	136	300	32	136
3" schedule 80	300	32	136	300	32	136	300	32	136
3" schedule 160	300	32	136	300	32	136	300	32	136
3" schedule XXS	300	32	136	300	32	136	300	32	136
4" schedule 40	355	57	136	355	57	136	355	57	136
4" schedule 80	355	57	136	355	57	136	355	57	136
4" schedule 160	355	57	136	355	57	136	355	57	136
4" schedule XXS	355	57	136	355	57	136	355	57	136

© 03/2018 WIKA Alexander Wiegand SE & Co. KG, all rights reserved.  
The specifications given in this document represent the state of engineering at the time of publishing.  
We reserve the right to make modifications to the specifications and materials.



**WIKAL Alexander Wiegand SE & Co. KG**  
Alexander-Wiegand-Straße 30  
63911 Klingenberg/Germany  
Tel. +49 9372 132-0  
Fax +49 9372 132-406  
info@wika.de  
www.wika.de