

**OBSOLETE**

Operating instructions  
Betriebsanleitung

Pressure calibrator, model CPH6000

EN

Druckkalibrator, Typ CPH6000

DE



Pressure calibrator, model CPH6000

**WIKAL**

Part of your business

<b>EN</b>	<b>Operating instructions model CPH6000</b>	<b>Page</b>	<b>3 - 56</b>
-----------	---	-------------	---------------

<b>DE</b>	<b>Betriebsanleitung Typ CPH6000</b>	<b>Seite</b>	<b>57 - 110</b>
-----------	--------------------------------------	--------------	-----------------

**Additional languages can be found at [www.wika.com](http://www.wika.com).**

© 12/2005 WIKA Alexander Wiegand SE & Co. KG  
All rights reserved. / Alle Rechte vorbehalten.  
WIKA® is a registered trademark in various countries.  
WIKA® ist eine geschützte Marke in verschiedenen Ländern.

Prior to starting any work, read the operating instructions!  
Keep for later use!

Vor Beginn aller Arbeiten Betriebsanleitung lesen!  
Zum späteren Gebrauch aufbewahren!

# Contents

<b>1. General information</b>	<b>6</b>
<b>2. Short overview</b>	<b>7</b>
2.1 Overview . . . . .	7
2.2 Description . . . . .	7
2.3 Scope of delivery . . . . .	7
<b>3. Safety</b>	<b>8</b>
3.1 Explanation of symbols . . . . .	8
3.2 Intended use . . . . .	8
3.3 Improper use . . . . .	9
3.4 Responsibility of the operator . . . . .	10
3.5 Personnel qualification . . . . .	10
3.6 Personal protective equipment . . . . .	11
3.7 Labelling, safety marks . . . . .	11
3.7.1 Product label (example) . . . . .	11
3.7.2 Symbols . . . . .	11
<b>4. Design and function</b>	<b>12</b>
4.1 User interface . . . . .	12
4.2 Electrical connections . . . . .	14
4.2.1 Voltage supply . . . . .	15
4.2.2 Power supply unit . . . . .	15
4.3 Lithium-ion rechargeable battery . . . . .	16
4.4 Interface . . . . .	17
4.5 Reference pressure sensor model CPT6000 . . . . .	17
4.5.1 Mechanical connection . . . . .	17
4.5.2 Electrical connection . . . . .	18
<b>5. Transport, packaging and storage</b>	<b>19</b>
5.1 Transport . . . . .	19
5.2 Packaging and storage . . . . .	19
<b>6. Commissioning, operation</b>	<b>20</b>
6.1 Switching the pressure calibrator on or off . . . . .	20
6.1.1 Switching on the pressure calibrator . . . . .	20
6.1.2 Switching the pressure calibrator off . . . . .	21
6.2 Sensor connection and sensor change . . . . .	22
6.2.1 Mechanical connection of a CPT6000 . . . . .	22
6.2.2 Electrical connection of a CPT6000 . . . . .	22
6.2.3 Electrical connection of potential-free pressure switches . . . . .	23

6.2.4	Electrical connection for a 2-wire test item . . . . .	23
6.2.5	Electrical connection for a 3-wire test item . . . . .	24
6.3	Test assembly . . . . .	26
6.4	Pressure measurement . . . . .	27
6.5	Zero point setting of gauge pressure sensors . . . . .	27
6.6	Offset correction for absolute pressure sensors . . . . .	27
6.7	Setup menu. . . . .	28
6.7.1	Display: Units and resolution . . . . .	30
6.8	Operating modes . . . . .	30
6.8.1	MEASURING mode. . . . .	30
6.8.2	CALIBRATION mode . . . . .	32
6.8.2.1	Configuring the calibration . . . . .	32
6.8.2.2	Calibrating a pressure transmitter or pressure gauge. . . . .	36
6.8.3	SWITCH TEST mode . . . . .	37
6.9	Additional setup menu . . . . .	38
6.9.1	Functions. . . . .	38
6.9.2	CPH info . . . . .	39
6.9.3	Reference sensor . . . . .	39
6.9.4	Ref. sensor list. . . . .	40
6.9.5	CPH configuration. . . . .	40
6.9.6	Interface . . . . .	41
6.9.7	CLEAR CalProg . . . . .	41
6.10	Working with WIKA-Cal . . . . .	41
<b>7.</b>	<b>Faults</b>	<b>42</b>
<b>8.</b>	<b>Maintenance, cleaning and recalibration</b>	<b>43</b>
8.1	Maintenance . . . . .	43
8.2	Cleaning . . . . .	43
8.3	Recalibration . . . . .	43
<b>9.</b>	<b>Dismounting, return and disposal</b>	<b>44</b>
9.1	Dismounting . . . . .	44
9.2	Return . . . . .	44
9.3	Disposal . . . . .	45
<b>10.</b>	<b>Specifications</b>	<b>45</b>
10.1	Basic information - Complete measuring chain . . . . .	45
10.2	Specifications for digital indicator model CPH6000 . . . . .	46
10.3	Specifications for reference pressure sensor model CPT6000. . . . .	48
10.4	Power supply unit . . . . .	50
10.5	Test cables . . . . .	50
10.6	Approvals . . . . .	51

10.7 Certificates . . . . .	51
10.8 Available pressure range and resolution . . . . .	52
10.9 Dimensions in mm [in] . . . . .	53
10.9.1 Digital indicator CPH6000 . . . . .	53
10.9.2 Reference pressure sensor CPT6000 . . . . .	54
10.9.3 Process connections . . . . .	54
<b>11. Accessories</b>	<b>55</b>

---

Declarations of conformity can be found online at [www.wika.com](http://www.wika.com).

## 1. General information

- The model CPH6000 pressure calibrator described in the operating instructions has been manufactured using state-of-the-art technology. All components are subject to stringent quality and environmental criteria during production. Our management systems are certified to ISO 9001 and ISO 14001.
- These operating instructions contain important information on handling the instrument. Working safely requires that all safety instructions and work instructions are observed.
- Observe the relevant local accident prevention regulations and general safety regulations for the instrument's range of use.
- The operating instructions are part of the product and must be kept in the immediate vicinity of the instrument and readily accessible to skilled personnel at any time. Pass the operating instructions on to the next operator or owner of the instrument.
- Skilled personnel must have carefully read and understood the operating instructions prior to beginning any work.
- The general terms and conditions contained in the sales documentation shall apply.
- Subject to technical modifications.
- Factory calibrations / DAkkS calibrations are carried out in accordance with international standards.
- Further information:
  - Internet address: [www.wika.de / www.wika.com](http://www.wika.de / www.wika.com)
  - Relevant data sheet: CT 15.01
  - Application consultant: Tel.: +49 9372 132-0  
info@wika.de

### Abbreviations, definitions

2-wire	The two connection leads are used for the voltage supply. The measuring signal also provides the supply current.
3-wire	Two connection leads are used for the voltage supply. One connection lead is used for the measuring signal.
UB	Positive power supply terminal
S+	Positive output terminal
■	Bullet
▶	Instruction
1. ... x.	Follow the instruction step by step
⇒	Result of an instruction
→	See ... cross-references

## 2. Short overview

### 2. Short overview

#### 2.1 Overview



- ① Reference pressure sensor model CPT6000
- ② Electrical connections
- ③ Connection of the power supply unit and interface
- ④ Display with numpad and navigation panel

#### 2.2 Description

This compact and portable pressure calibrator model CPH6000 is used as a calibration instrument for various pressure measuring instruments and switches. It has been designed for mobile use as well as for stationary workshop and laboratory testing.

The pressure calibrator enables completely paperless calibration on-site via a pressure sensor. For the evaluation and documentation of the calibration data stored in the CPH6000, WIKA-Cal calibration software is available. The CPH6000 is used in combination with the CPT6000 reference pressure sensor, see chapter 4.5 "Reference pressure sensor model CPT6000".

#### 2.3 Scope of delivery

- Pressure calibrator model CPH6000
- Power supply unit
- Test cable set with various connection terminals
- Calibration certificate
- Reference pressure sensor
- Sensor connection cable for CPT6000 reference sensor
- Ordered accessories
- Operating instructions

Cross-check scope of delivery with delivery note.

## 3. Safety

### 3. Safety

#### 3.1 Explanation of symbols

EN



**DANGER!**

... indicates a directly dangerous situation resulting in serious injury or death, if not avoided.



**WARNING!**

... indicates a potentially dangerous situation that can result in serious injury or death, if not avoided.



**CAUTION!**

... indicates a potentially dangerous situation that can result in light injuries or damage to property or the environment, if not avoided.



**DANGER!**

... identifies hazards caused by electrical power. Should the safety instructions not be observed, there is a risk of serious or fatal injury.



**DANGER!**

... indicates a potentially dangerous situation in the hazardous area that can result in serious injury or death, if not avoided.



**Information**

... points out useful tips, recommendations and information for efficient and trouble-free operation.

#### 3.2 Intended use

The model CPH6000 pressure calibrator combines the benefits of a compact hand-held instrument with the extensive functionality of a laboratory calibration instrument. Thus everyday tasks in the field, such as measuring, testing or calibration of pressure measuring instruments (including certificate generation and testing pressure switches) become particularly easy.

This instrument is not permitted to be used in hazardous areas!

The instrument has been designed and built solely for the intended use described here, and may only be used accordingly.

The technical specifications contained in these operating instructions must be observed. Improper handling or operation of the instrument outside of its technical specifications requires the instrument to be taken out of service immediately and inspected by an authorised WIKA service engineer.

Before installation, commissioning and operation, ensure that the appropriate reference pressure sensor has been selected in terms of measuring range, design and specific measuring conditions.

Handle electronic precision measuring instruments with the required care (protect from humidity, impacts, strong magnetic fields, static electricity and extreme temperatures, do not insert any objects into the instrument or its openings). Connectors and female connectors must be protected from contamination.

The manufacturer shall not be liable for claims of any type based on operation contrary to the intended use.



### 3.3 Improper use



#### **DANGER!**

##### **Danger to life from explosion!**

Improper use of the pressure calibrator may result in a risk of explosion, which may lead to serious injury or death, as the built-in lithium-ion rechargeable battery may explode.

- ▶ Do not burn or heat up the pressure calibrator.
- ▶ Never store the pressure calibrator close to fire, ovens or other high-temperature locations.
- ▶ Never put the pressure calibrator in microwave ovens, high-pressure containers or on induction hobs.
- ▶ Never place the pressure calibrator in hermetically sealed containers. In some cases hydrogen or oxygen may be discharged from the lithium-ion rechargeable battery, which may result in rupture, fire or explosion.
- ▶ Never leave the pressure calibrator in direct sunshine or use or store them inside cars in hot weather. Doing so may cause the lithium-ion battery to generate heat, explode or ignite. Using the lithium-ion battery in this manner may also result in a loss of performance and a shortened service life.
- ▶ Do not disassemble or modify the lithium-ion rechargeable battery in the pressure calibrator. It contains safety and protection devices which, if damaged, may cause it to generate heat, explode or ignite.



#### **DANGER!**

##### **Injuries, material and environmental damage due to an improper use of the pressure calibrator!**

Improper use of the pressure calibrator causes a direct danger to life.

- ▶ Do not allow the pressure calibrator to come into contact with water or salt water. It must never get wet. This can result in the destruction of the safety circuit, in heat generation, in inflammation, in the formation of oxyhydrogen or corrosion and in the generation of electrolytes.
- ▶ The use of incorrect, unsuitable power supply units can lead to overheating, fire and to the destruction of the rechargeable batteries.
- ▶ Do not pierce the pressure calibrator with nails or hit it with a hammer.
- ▶ Do not step on or otherwise subject the pressure calibrator to strong shocks or vibrations.



#### **WARNING!**

##### **Injuries through improper use**

Improper use of the instrument can lead to hazardous situations and injuries.

- ▶ Refrain from unauthorised modifications to the instrument.
- ▶ Do not use the instrument within hazardous areas.
- ▶ Observe the operating parameters in accordance with chapter 10 "Specifications".

To avoid injuries or damage to property observe further points:

#### **Pressure calibrator**

- Do not use the instrument if it is damaged. Before using the instrument, check that there are no cracks on the case or any missing plastic parts. Pay particular attention to the insulation of the connectors.
- In order to avoid any possible damage to the instrument or the test equipment, always use the correct connection cables, the correct function and the correct range for the measuring application.
- Do not use the instrument if it is not working properly. Device protection may be compromised. If in doubt, have the instrument checked.
- Only use the accessories specified and authorised by WIKA.
- The display screen is made from glass. If there is any possibility of the screen breaking during operation, all personnel in the vicinity of the instrument must wear eye protection before and during its use.

## 3. Safety

EN

### Reference pressure sensors

- Always operate the reference pressure sensors within the overpressure limit.
- Reference pressure sensors should only be mounted or dismantled when the system is free from pressure.
- Only use model CPT6000 reference pressure sensors! Using other sensors could damage both the pressure calibrator and/or the reference pressure sensor.
- If the reference pressure sensor is used in applications with oil as a pressure medium, make sure it is not be used with flammable material or gases directly afterwards, since this can lead to dangerous explosions and a risk to personnel and machinery.

### Test leads and test probes

- Only use the test cable set available from WIKA for the pressure calibrator. Do not connect any cable over 3 m [9.84 in] long to the CPH6000.
- Plan the wiring especially carefully when connecting to other devices. Under certain circumstances, internal connections in third-party devices (e.g. GND connected to the ground) can lead to impermissible voltages that could compromise or even destroy the function of the device itself or a device connected to it.
- Make sure that the test probes never contact a voltage source while the test cables are connected to the current terminals.
- Inspect the test leads for damaged insulation or exposed metal. Check the continuity of the leads. Damaged test leads should be replaced before using the instrument.
- When using test probes keep fingers away from the test probe contacts. Keep your fingers behind the test probes' finger guards.
- First connect the neutral conductor, and then the live lead. When disconnecting, remove the test leads first.
- Disconnect test leads before changing to another measurement or source function.

### Measuring mode

- There must be no external pressure acting on the CPH6000.
- Only use dry, clean air as a medium for the CPH6000 and CPT6000.
- Select the proper function and correct measuring range for the measurement.
- Always operate the reference pressure sensors within the defined pressure range.
- Should a failure occur, aggressive media under high pressure or vacuum may be present at the reference pressure sensors.
- The measuring signal of the reference (or test item) can be influenced by large electromagnetic effects and the display of the signal may be lost completely.

Any use beyond or different to the intended use is considered as improper use.

### 3.4 Responsibility of the operator

The instrument is used in the industrial sector. The operator is therefore responsible for legal obligations regarding safety at work.

The safety instructions within these operating instructions, as well as the safety, accident prevention and environmental protection regulations for the application area must be maintained.

### 3.5 Personnel qualification



#### **WARNING!**

#### **Risk of injury should qualification be insufficient**

Improper handling can result in considerable injury and damage to property.

- ▶ The activities described in these operating instructions may only be carried out by skilled personnel who have the qualifications described below.

#### **Skilled personnel**

Skilled personnel, authorised by the operator, are understood to be personnel who, based on their technical training, knowledge of measurement and control technology and on their experience and knowledge of country-specific regulations, current standards and directives, are capable of carrying out the work described and independently recognising potential hazards.

Special operating conditions require further appropriate knowledge, e.g. of aggressive media.

## 3. Safety

EN

### 3.6 Personal protective equipment

The personal protective equipment is designed to protect the skilled personnel from hazards that could impair their safety or health during work. When carrying out the various tasks on and with the instrument, the skilled personnel must wear personal protective equipment.

**Follow the instructions displayed in the work area regarding personal protective equipment!**

The requisite personal protective equipment must be provided by the operating company.



#### **Wear safety goggles!**

Protect eyes from flying particles and liquid splashes.

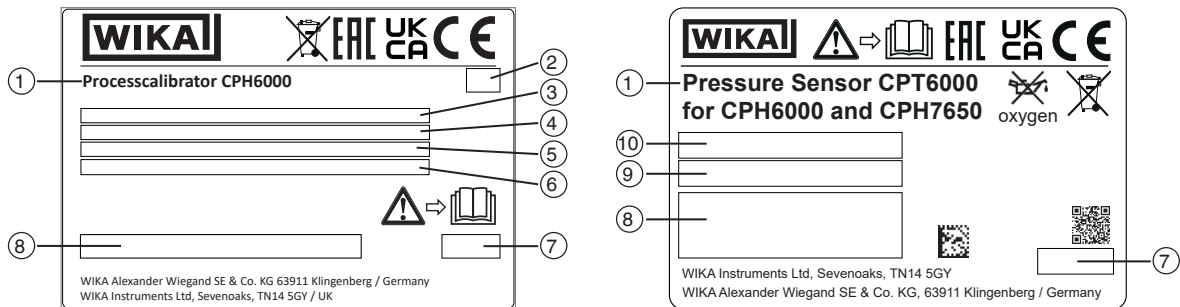
### 3.7 Labelling, safety marks

The operator is obliged to maintain the product label in a legible condition.

#### 3.7.1 Product label (example)

**Pressure calibrator, model CPH6000 and pressure sensor, model CPT6000**

The product label is located on the rear of the instrument.



- |                          |                                     |
|--------------------------|-------------------------------------|
| ① Product name           | ⑥ Permissible operating temperature |
| ② Instrument version     | ⑦ Date of manufacture (month/year)  |
| ③ Input current/voltage  | ⑧ Serial and production number      |
| ④ Output voltage/current | ⑨ Accuracy                          |
| ⑤ Interface              | ⑩ Pressure range                    |

#### 3.7.2 Symbols



Before mounting and commissioning the instrument, ensure you read the operating instructions!



Do not dispose of with household waste. Ensure a proper disposal in accordance with national regulations.

## 4. Design and function

### 4. Design and function

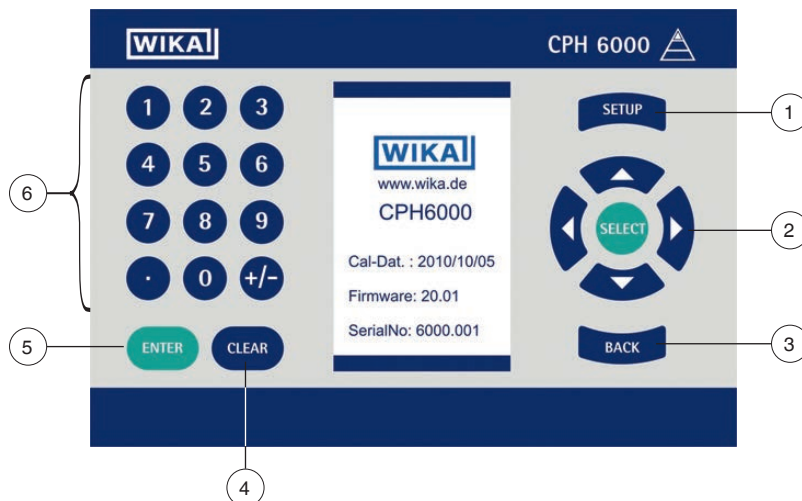
The CPH6000 is a multi-calibration instrument for pressure equipment and switches.

The CPH6000 can be operated by means of a clearly structured display and control panel. Through the permanently built-in rechargeable battery, the CPH6000 is suitable for daily use in the field.

On the top of the CPH6000 are the electrical connections for measuring electrical current and voltage signals, and for connecting the interface cable and the power supply unit.

#### 4.1 User interface

The CPH6000 pressure calibrator can be operated by means of a clearly structured display and control panel.



Item	Button	Meaning
1		Access SETUP menu Press button [SETUP]
2		Selection and entry activation Parameter selection from list or menu via [◀] or [▶] buttons Current cursor position; alter via the [▲] or [▼] buttons  Select and confirm the submenu items using the [SELECT] button
3		One step back Press button [BACK]
4		Clear entry Press button [CLEAR]
5		Input confirmation Press button [ENTER]
6		Numeric keypad Parameter input via numeric keypad

- ▶ Switch on via pressing any button.
- ▶ Switch off via menu item in main menu (see chapter 6.1.2 “Switching the pressure calibrator off”).

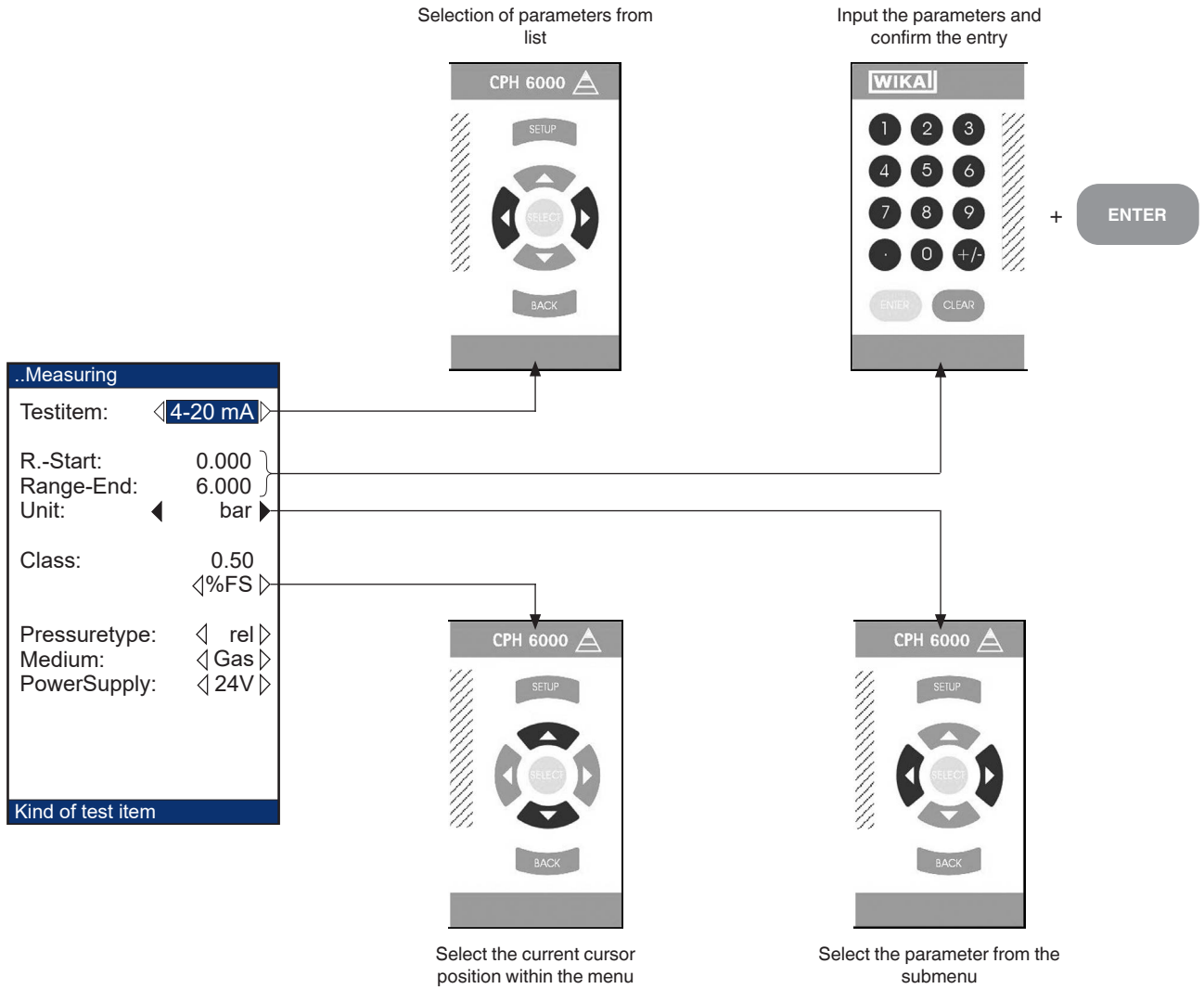
# 4. Design and function

## Further definitions

- [XXX] Press XXX button
- XXX Menu XXX will be displayed

EN

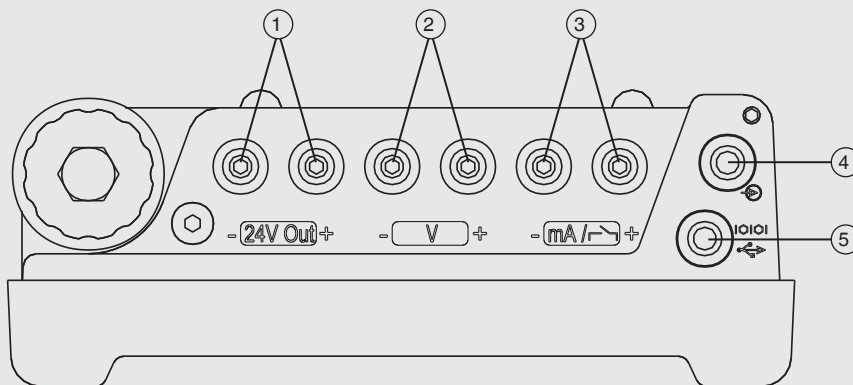
## General user instructions for configuration of operating modes



## 4. Design and function

### 4.2 Electrical connections

#### Top view



- 1) Voltage supply DC 24 V (50 mA) (can be activated via menu) <sup>1)</sup>
- 2) Measuring input, voltage (max. DC 0 ... 12 V) <sup>1)</sup>
- 3) Measuring input for current or switch test (max. 24 mA) <sup>1)</sup>
- 4) Power connection/Charging socket or connection of the power supply unit
- 5) Connection to the USB/RS-232 interface

1) Connections: 4-mm test sockets



#### WARNING!

##### Physical injuries, damage to property and the environment due to electric shock!

Improper handling can lead to dangerous situations and injuries, since voltages may be applied on the components.

- ▶ Only connect original WIKA components to any of the electrical connection sockets.
- ▶ Only use the supplied charger!
- ▶ Only use the supplied test cables!
- ▶ Only use the supplied interface cable!
- ▶ Only make or disconnect any electrical connections while the pressure calibrator is switched off.
- ▶ Make sure that the operating voltage specified on the charger corresponds to the local mains voltage.
- ▶ Do not overload the measuring inputs (see 10 "Specifications").
- ▶ If the test item has its own power supply, switch off the internal DC 24 V voltage supply via the menu.
- ▶ Take care to connect to the correct terminal +/- of the electrical connections!

If the pressure calibrator is set for reading from test items with voltage outputs (e.g. DC 0 ... 1 V / DC 0 ... 2 V / DC 0 ... 5 V / DC 0 ... 10 V) and no test item is connected to the measuring input (voltage), then a non-zero value will be shown for the test item on the display.

This is not an error, it is simply due to the electrical design of the measuring input.

- ▶ The internal DC 24 V voltage supply must not be short-circuited nor should the max. output current through the snubber circuit exceed 50 mA.
- ▶ In addition, it should not drop below 20 mA, in order to ensure an accurate current measurement.

## 4. Design and function

EN

### 4.2.1 Voltage supply



#### WARNING!

##### Injuries through improper use

Improper use of the instrument can lead to hazardous situations and injuries.

- ▶ Use only the power supply unit supplied.
- ▶ Dry location and indoor use only.
- ▶ Use only at max. height of 2,000 m [6,652 ft].

The fixed, integrated lithium-ion battery, which can be charged with the power supply unit supplied, serves as the voltage supply for the pressure calibrator.

- ▶ The mains plug of the power supply unit for charging the CPH6000's rechargeable batteries must be connected to a freely accessible mains socket so that the mains plug can be pulled out at any time, if necessary.

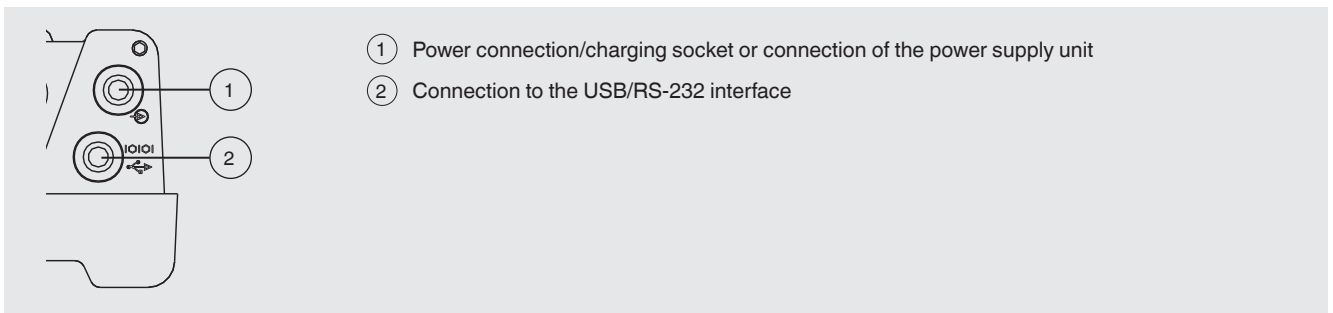
The instrument is delivered with a charge level of 25 ... 50 % and should be fully charged once before being used.

The status of the **battery level** (charge in %) is briefly indicated as the equipment is switched on, and/or it can be viewed during operation via the additional **SETUP** menu item - **CPH configuration** (see chapter 6.9.5 "CPH configuration").

- ▶ In order to avoid false measurements, charge the battery as soon as the battery indicator is displayed. The message "low BAT" is shown in the display. If the battery has run down too far, the instrument will switch itself off automatically.

### 4.2.2 Power supply unit

The power supply unit is connected via the connection socket on the right-hand side on the top of the CPH6000 (see figure below).



#### DANGER!

##### Danger to life caused by electric current

Upon contact with live parts, there is a direct danger to life.

- ▶ Only use the power supply unit from WIKA, supplied with the instrument!
- ▶ Only use a power supply unit that is fully functional or undamaged.
  - ⇒ If there is any visible damage to the case or the cable, do not use the power supply unit!
  - ⇒ Charging using a defective power supply unit (e.g. short-circuit from the mains voltage to the output voltage) can result in life-threatening voltages at the instrument!
- ▶ Never install nor store the power supply unit in the following locations, as this can lead to a failure in operation:
  - Places where there is strong humidity or condensation
  - Outdoors
- ▶ Observe the safety warnings and instructions of the rating label of the AC adapter.

#### Application

- The power supply unit is maintenance-free. It must not be opened (danger of electrical shock).
- Disconnect the power supply unit from the mains supply when it won't be used for a longer period of time.

## 4. Design and function

### Permissible conditions at the place of use

#### Power supply unit

Operating temperature range	0 ... 45 °C [32 ... +113 °F]
Relative humidity	5 ... 95 % r. h. (non-condensing)

EN

### Cleaning

- Before cleaning, disconnect the power supply unit from the mains supply.
- Do not clean with chemical cleaning agents.
- Only clean with a dry cloth.

### 4.3 Lithium-ion rechargeable battery

The lithium-ion battery is permanently installed in the model CPH6000 pressure calibrator. The battery life is up to 20 hours for continuous operation (without backlighting). The rechargeable battery can be charged only using the power supply unit included in the scope of delivery.



#### **DANGER!**

#### **Injuries, material and environmental damage due to an improper handling of the lithium-ion rechargeable battery!**

Improper handling of the lithium-ion rechargeable battery can immediately lead to dangerous situations and serious injuries, since the built-in lithium-ion rechargeable battery can explode, heat up or ignite.

- ▶ Only use the supplied power supply unit!
- ▶ The lithium-ion rechargeable batteries of the pressure calibrator connect directly to a socket or to a car's cigarette lighter.
- ▶ Never continue to charge the lithium-ion battery if they do not fully recharge within the specified time.
- ▶ Do not disassemble or modify the lithium-ion rechargeable battery. It contains safety and protection devices which, if damaged, may cause it to generate heat, explode or ignite.



#### **WARNING!**

#### **Injuries or damage to property through defective rechargeable battery**

A defective rechargeable battery can lead to hazardous situations and injuries.

- ▶ Should the lithium-ion battery ever leak and the fluid come into contact with the eyes, do not under any circumstances rub the eyes. Rinse the eyes thoroughly with water and seek immediate medical attention. If the eyes are left untreated, damage to the eyes could occur.



Should the rechargeable battery in the pressure calibrator stop working, contact WIKA. The instrument must not be opened under any circumstances. For further information, also see chapter 9.2 "Return".

For contact details, see chapter 1 "General information" or the back page of the operating instructions.

### Charging the lithium-ion rechargeable battery

If the lithium-ion rechargeable batteries become hot, the built-in safety and protective system is activated and overcharging prevented. However, the heating of the lithium-ion battery can also destroy the safety and protective system and cause it to heat up further, fail or ignite.



When the power supply unit is connected to the CPH6000, the lithium-ion battery will be charged, even if the CPH6000 is switched off.

The typical charging time of the rechargeable battery is < 6 hours.

- The temperature range over which the lithium-ion battery can be charged is 0 ... 45 °C [32 ... 113 °F]. Temperatures outside of the specifications lead, during the charging process, to heating or destruction to the rechargeable battery. Furthermore, the performance can be affected and the service life reduced.
- Extreme temperatures have an adverse effect on battery charging. Therefore, cooling down or warming up may be necessary first.



## 4. Design and function

EN

- When the power supply unit is no longer being used, the mains plug should be disconnected from the mains socket.
- Do not leave the power supply unit connected to the rechargeable battery for longer than one day, since overloading can shorten its service life.
- Should the rechargeable battery still not be fully charged after 24 hours (in mains operation), contact the manufacturer.
- When not being used, a charged rechargeable battery will lose its charge over time.
- When the rechargeable battery is almost completely discharged, the message “**low BAT**” appears in the display. With 0 % battery level, the equipment automatically switches itself off and must then be recharged using the power supply unit. During the charging time, it is not possible to operate the unit (in mains operation).

### 4.4 Interface

The CPH6000 pressure calibrator can be controlled through an interface (USB or RS-232) via a PC and the calibration data can be retrieved with WIKA-Cal software. The cables are found in Accessories, see chapter 11 “Accessories”.

For further information on interface settings, see chapter 6.9.6 “Interface”.

### 4.5 Reference pressure sensor model CPT6000

For the model CPH6000 pressure calibrator, there are many reference pressure sensors to choose from, with measuring ranges from 250 mbar to 6,000 bar and with accuracies of 0.025 % up to 0.1 %, and which can be interchanged quickly and without tools.

When the pressure calibrator is switched on, the reference pressure sensor attached is recognised automatically, so that no further configuration is needed.

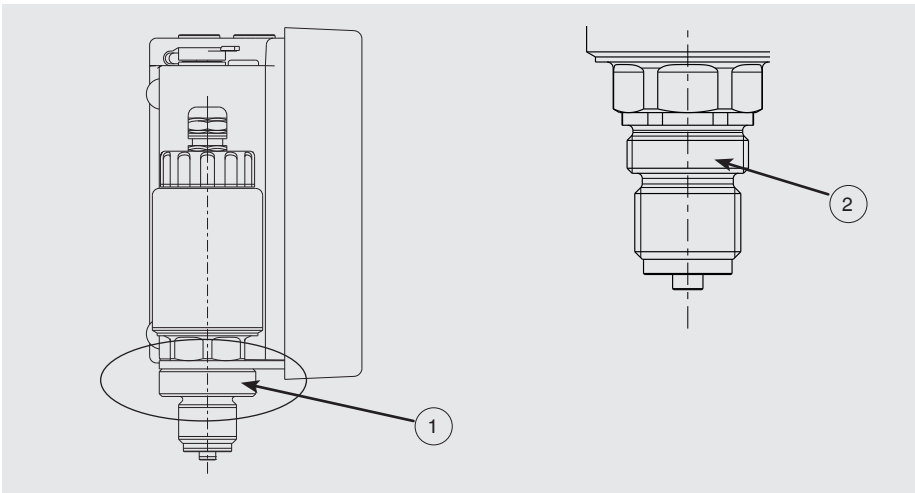


For overpressure or gauge pressure sensors, there is a pressure compensation vent in the top of the sensor housing under the plastic fitting.

This vent (with integrated diaphragm) must always remain clear!

#### 4.5.1 Mechanical connection

The CPT6000 is fixed to the case by a hexagonal anti-rotation stop and a manual quick-release connector.



- 1 Manual quick-release connector for easy changeover of the sensor.
- 2 Hexagonal anti-rotation stop

## 4. Design and function

### 4.5.2 Electrical connection

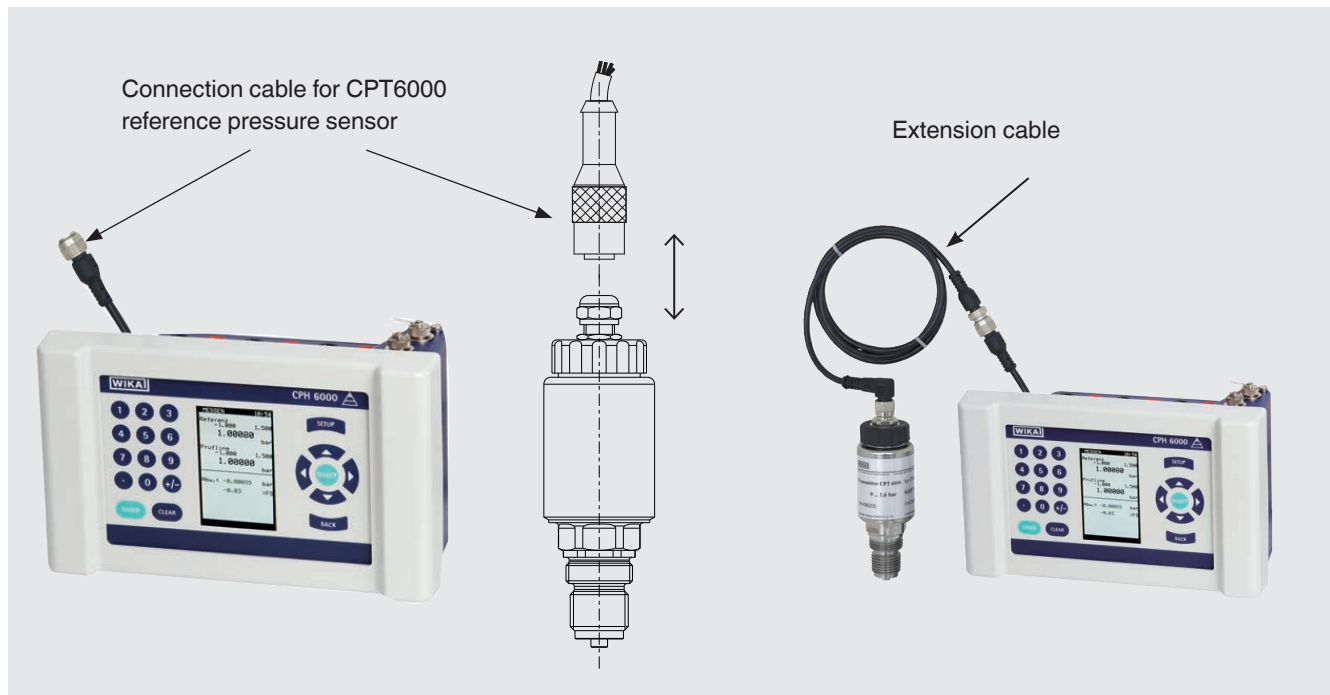
The connection between CPH6000 and CPT6000 is achieved with a sensor connection cable via an M12 x 1.5 circular connector with screw-on lid.

EN

- For external operation/use of the CPT6000 reference pressure sensor, only use a maximum of one cable.
- The length of the cable is approx. 1.1 m [3.61 ft].



Only ever use the original sensor connection cable from WIKA for the operation of CPT6000 reference pressure sensors. The cable can be found in Accessories, see chapter 11 "Accessories".



## 5. Transport, packaging and storage

EN

### 5. Transport, packaging and storage

#### 5.1 Transport

Check the instrument for any damage that may have been caused by transport. Obvious damage must be reported immediately.



#### **CAUTION!**

#### **Damage through improper transport**

With improper transport, a high level of damage to property can occur.

- ▶ When unloading packed goods upon delivery as well as during internal transport, proceed carefully and observe the symbols on the packaging.
- ▶ With internal transport, observe the instructions in chapter 5.2 "Packaging and storage".

If the instrument is transported from a cold into a warm environment, the formation of condensation may result in instrument malfunction. Before putting it back into operation, wait for the instrument temperature and the room temperature to equalise.

#### 5.2 Packaging and storage

Do not remove packaging until just before mounting.

Keep the packaging as it will provide optimum protection during transport (e.g. change in installation site, sending for repair).

#### **Permissible conditions at the place of storage:**

	<b>Pressure sensor</b>	<b>Hand-held</b>	<b>Power supply unit</b>
<b>Storage temperature</b>	-40 ... +85 °C [-40 ... +185 °F]	-20 ... +70 °C [-4 ... +158 °F]	-40 ... +85 °C [-40 ... +185 °F]
<b>Relative humidity</b>	0 ... 95 % r. h. (non-condensing)	0 ... 85 % r. h. (non-condensing)	5 ... 95 % r. h. (non-condensing)

#### **Avoid exposure to the following factors:**

- Direct sunlight or proximity to hot objects
- Mechanical vibration, mechanical shock (putting it down hard)
- Soot, vapour, dust and corrosive gases
- Hazardous environments, flammable atmospheres

Store the instrument in its original packaging in a location that fulfils the conditions listed above. If the original packaging is not available, pack and store the instrument as described below:

1. The battery level during storage or shipping should be between 25 and 50 %.
2. Wrap the instrument in an anti-static plastic film.
3. Place the instrument, along with the shock-absorbent material, in the packaging.
4. If stored for a prolonged period of time (more than 30 days), place a bag containing a desiccant inside the packaging.

## 6. Commissioning, operation

### 6. Commissioning, operation

**Personnel:** Skilled personnel

**Tools:** None - To fasten the CPT6000 to the CPH6000

**Tools:** Spanner or torque wrench - To fasten the CPT6000 into the process

EN

Only use original parts (see chapter 11 "Accessories").



#### WARNING!

##### Physical injuries and damage to property and the environment caused by hazardous media

Upon contact with hazardous media (e.g. oxygen, acetylene, flammable or toxic substances), harmful media (e.g. corrosive, toxic, carcinogenic, radioactive), and also with refrigeration plants and compressors, there is a danger of physical injuries and damage to property and the environment.

Should a failure occur, aggressive media with extremely high temperature and under high pressure or vacuum may be present at the instrument.

- ▶ For these media, in addition to all standard regulations, the appropriate existing codes or regulations must also be followed.
- ▶ Wear the requisite protective equipment.



#### DANGER!

##### Danger to life caused by electric current

Upon contact with live parts, there is a direct danger to life.

- ▶ The instrument may only be installed and mounted by skilled personnel.
- ▶ Operation using a defective power supply unit (e.g. short-circuit from the mains voltage to the output voltage) can result in life-threatening voltages at the instrument!

### 6.1 Switching the pressure calibrator on or off

#### 6.1.1 Switching on the pressure calibrator

By pressing any button, the pressure calibrator will be switched on. The calibrator requires a warm-up for a few minutes (max. 5 minutes) to reach its specified accuracy. Large changes in ambient temperature may make a longer warm-up period necessary. The pressure display of the calibrator should be zeroed before starting the pressure calibration.

Directly after the CPH6000 is switched on, the following status message is displayed briefly with the current settings:

#### 1 Voltage 24V

The voltage supply of DC 24 V (available at the upper end of instrument) can, during the configuration of each operating mode, be switched on or off. If it is not needed for a measurement, then it should be switched off, in order to conserve energy.

#### 2 Battery level

Current battery level

→ See chapter 6.9.5 "CPH configuration".

#### 3 Height difference


In the "SETUP\CPH configuration" menu, set the height difference between the test item and the CPT6000 reference pressure sensor. This value influences an automatic correction calculation in order to eliminate any pressure difference based on a medium column. This value must be correct for the following measurement process and/or be adjusted accordingly in the "SETUP\CPH configuration" menu.

→ See chapter 6.9.5 "CPH configuration".

#### 4 Temperature

In the "SETUP\CPH configuration" menu, the temperature (ambient temperature) is entered. This value can be adjusted accordingly in the "SETUP\CPH configuration" menu.

→ See chapter 6.9.5 "CPH configuration".

Info	
 CPH6000	
1	Voltage 24V: ON
2	Batterylevel: 100%
3	HightDiff: 0 mm
4	Temperature: 23.0 °C
5	Act-Dat.: 2011/05/10
6	Cal-Dat.: 2011/05/10

## 6. Commissioning, operation

EN

### 5 Current date

The date of the integrated real-time clock in the “**SETUP**\CPH configuration” menu, which is later marked on the calibration certificate. This value must be correct for the following measurement process in calibration mode and/or be adjusted accordingly in the “**SETUP**/CPH configuration” menu.

→ See chapter 6.9.5 “CPH configuration”.

### 6 Calibration date

Calibration date for the electrical measuring inputs of the CPH6000 (year/month/day)

Following the status messages, the display returns to the screen for the last-selected operating mode.



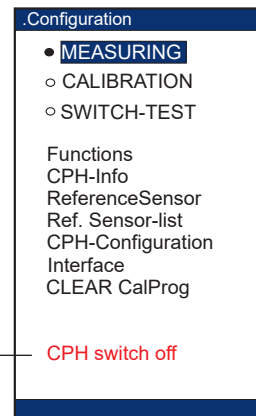
#### Data loss!

If the charge level shows insufficient battery capacity, charge the pressure calibrator before starting work. When the rechargeable battery is almost completely discharged, the message “**low BAT**” appears in the display. To avoid a data loss, the instrument must be charged immediately. With 0 % battery level, the equipment automatically switches itself off and must then be recharged using the power supply unit. All data in the internal memory will be lost when the battery has 0% battery capacity!

### 6.1.2 Switching the pressure calibrator off

The instrument is switched off using the “**CPH switch of**” menu item in the first submenu.

1. For this, press [**SETUP**] once.
2. With [**▲**] or [**▼**] select the menu item **Switch off CPH**.
3. Confirm with [**SELECT**].  
⇒ The CPH6000 switches off.



Switching off

## 6. Commissioning, operation

### 6.2 Sensor connection and sensor change

EN



#### **WARNING!**

#### **Mechanical damage through incorrect pressure sensor or applied pressure**

Disregarding this can lead to the destruction of the measuring instrument!

- ▶ Only use model CPT6000 reference pressure sensors! Using other sensors could damage both the pressure calibrator and the reference pressure sensor.

1. To change the sensor, switch off the pressure calibrator and vent the system.
2. Plug the sensor in.



When the CPH6000 is switched on, the CPT6000 reference pressure sensor must be in the same mounting position in which the measurements will be made and must not be pressurised. There must be atmospheric pressure.

3. Switch on instrument.  
⇒ The sensor is recognised automatically.
4. Measurements can be performed.

#### **6.2.1 Mechanical connection of a CPT6000**

1. To make the mechanical connection of the CPT6000 reference pressure sensor, it must be placed, connecting thread first, in the hexagonal sensor bracket of the instrument, so that the hexagonal anti-rotation stop of the CPT6000 sits accordingly in the sensor bracket.
2. Subsequently, the sensor can be secured with the hand-operated, quick-release plug screw.  
⇒ (tighten = turn clockwise; release = turn anticlockwise)

No further tools are required for this (only screw in hand-tight).

#### **6.2.2 Electrical connection of a CPT6000**

When exchanging the sensor, use the 8-pin plug connector at the sensor.

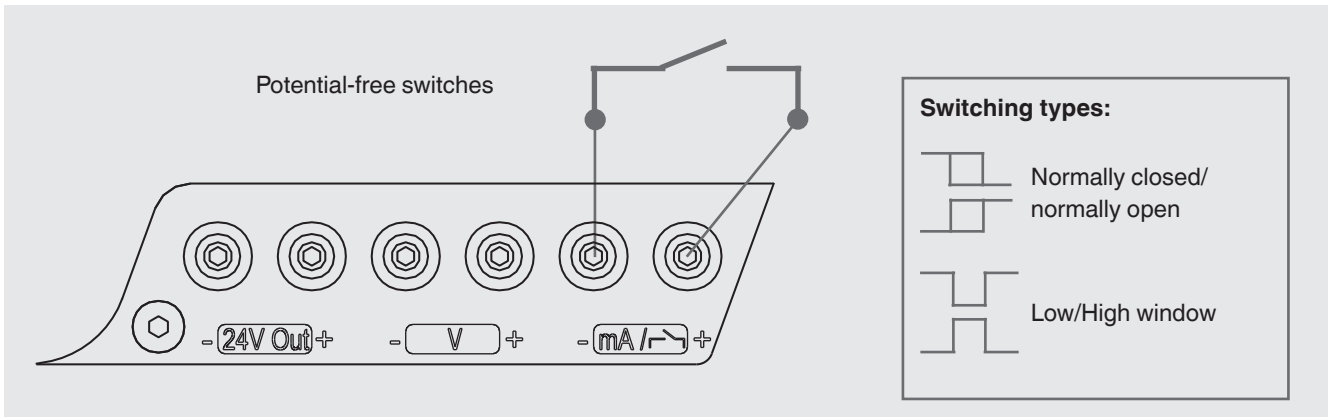
3. For the electrical connection of a model CPT6000 reference pressure sensor, the corresponding cable connector must be plugged in at the sensor in accordance with the orientation guide and secured through the connection sleeve.
4. Turn the connection sleeve clockwise without much force.
5. To loosen the connection, the connection sleeve must be turned anticlockwise.
6. To disconnect the sensor, do not pull on the cable, but rather only on the connector sleeve.
7. To connect to the CPH6000, also connect the other end of the cable in accordance with the orientation guide and secure it with the connection sleeve.
8. Turn the connection sleeve clockwise without much force.
9. To loosen the connection, the connection sleeve must be turned anticlockwise.
10. To disconnect the CPH6000, do not pull on the cable, but rather only on the connector sleeve.

## 6. Commissioning, operation

### 6.2.3 Electrical connection of potential-free pressure switches

Only potential-free (passive) switches, as shown in the drawing and using the supplied test cable, should be connected to the pressure calibrator.

A current or voltage input could damage the CPH6000.

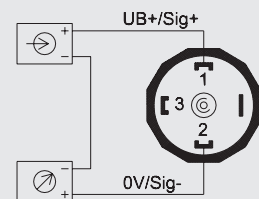


### 6.2.4 Electrical connection for a 2-wire test item

Before connecting a test item, the instructions in chapter 4.2 “Electrical connections” should be read and then followed.

#### Example:

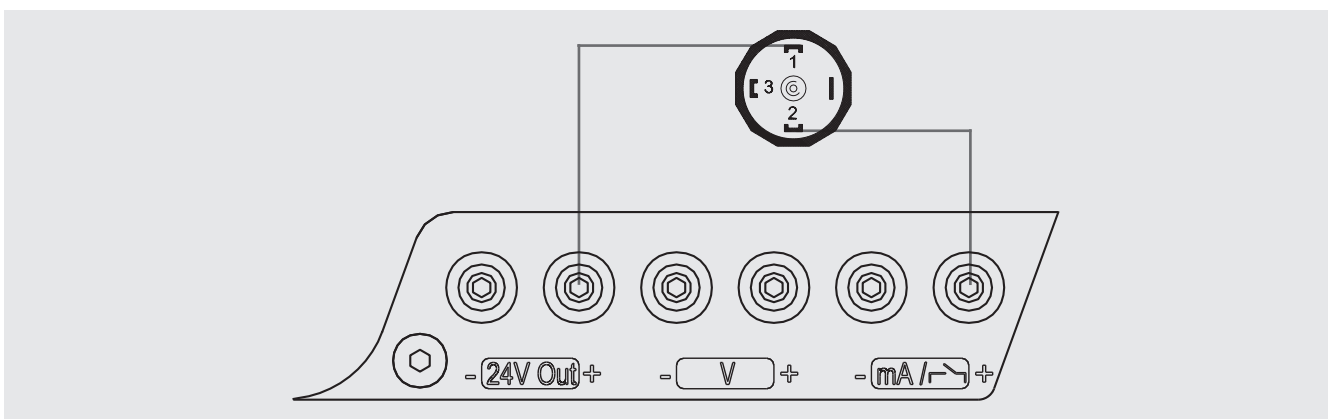
Wiring diagram of a pressure sensor from WIKA (2-wire connection) which must be checked/calibrated.



#### Example

Test item is a pressure sensor from WIKA with a mA signal:

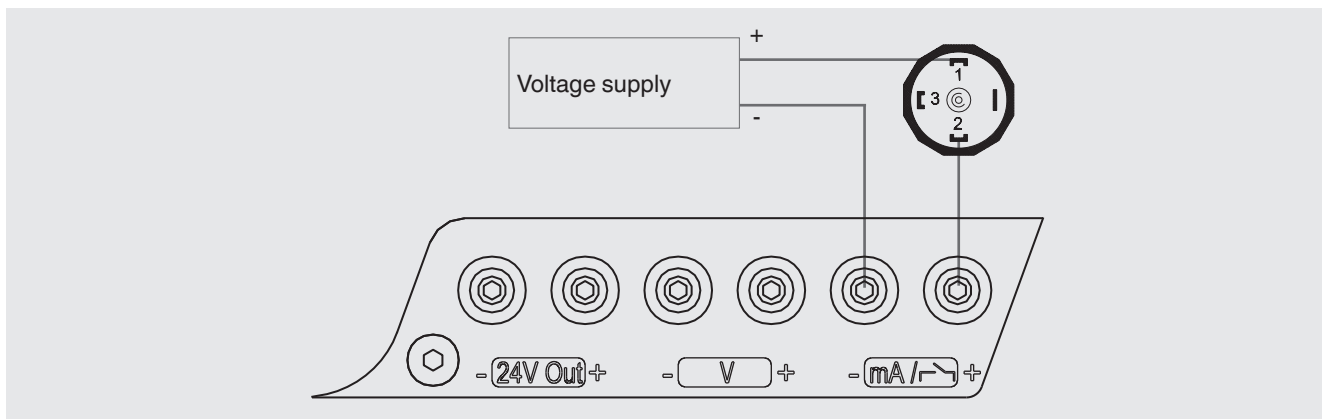
- ▶ Without its own power supply, the DC 24 V voltage must be activated via the menu (see chapter 6.8 “Operating modes”)



## 6. Commissioning, operation

- ▶ With its own power supply available

EN

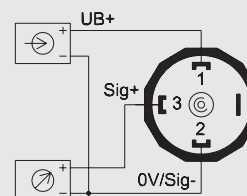


### 6.2.5 Electrical connection for a 3-wire test item

Before connecting a test item, the instructions in chapter 4.2 "Electrical connections" should be read and then followed.

#### Example:

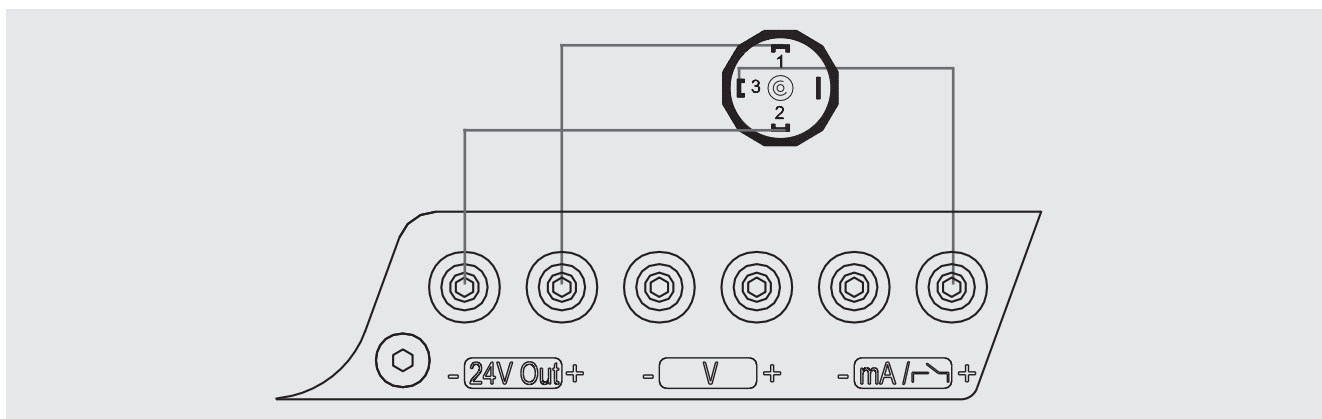
Wiring diagram of a pressure sensor from WIKA (3-wire connection) which must be checked/calibrated.



#### Example

Test item is a pressure sensor from WIKA with a mA signal:

- ▶ Without its own power supply, the DC 24 V voltage must be activated via the menu (see chapter 6.8 "Operating modes")

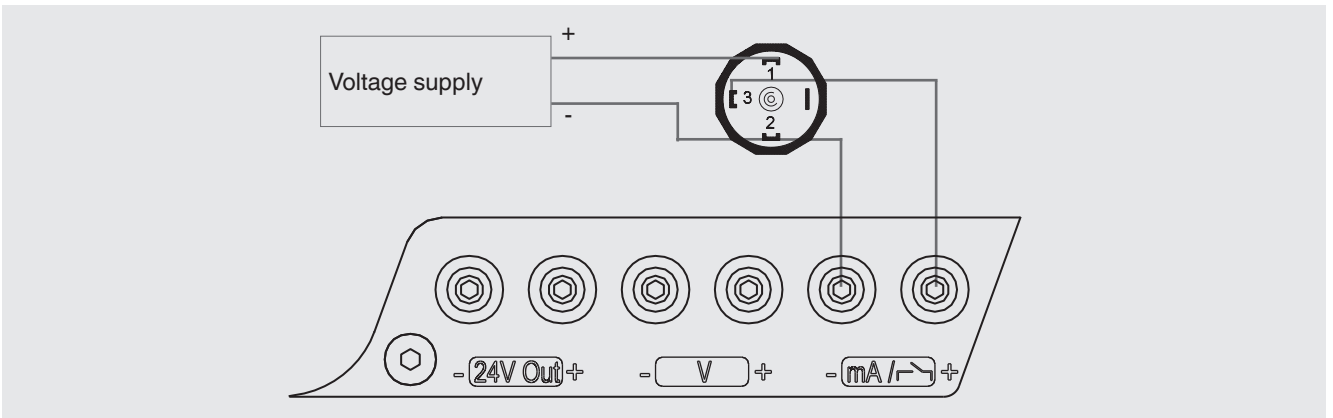




## 6. Commissioning, operation

EN

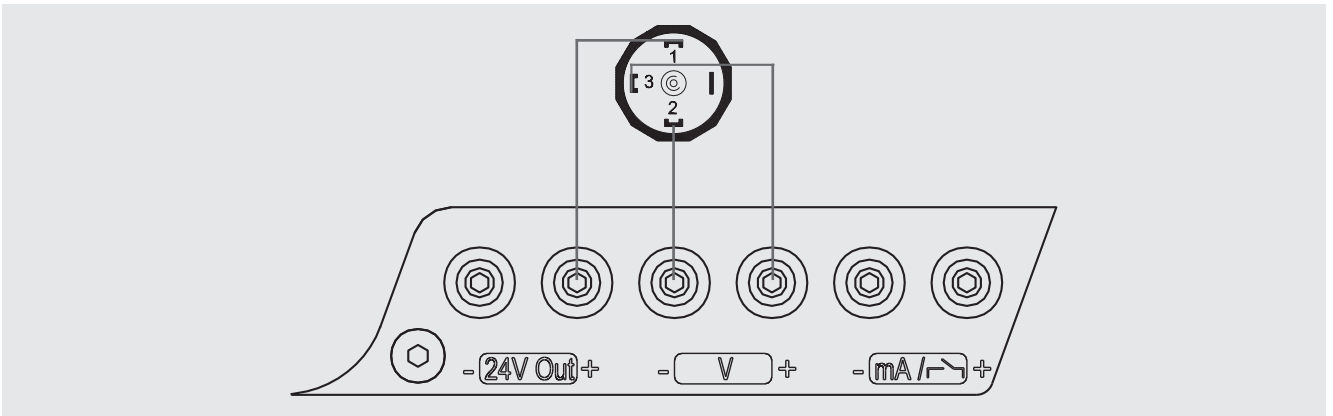
- ▶ With its own power supply available



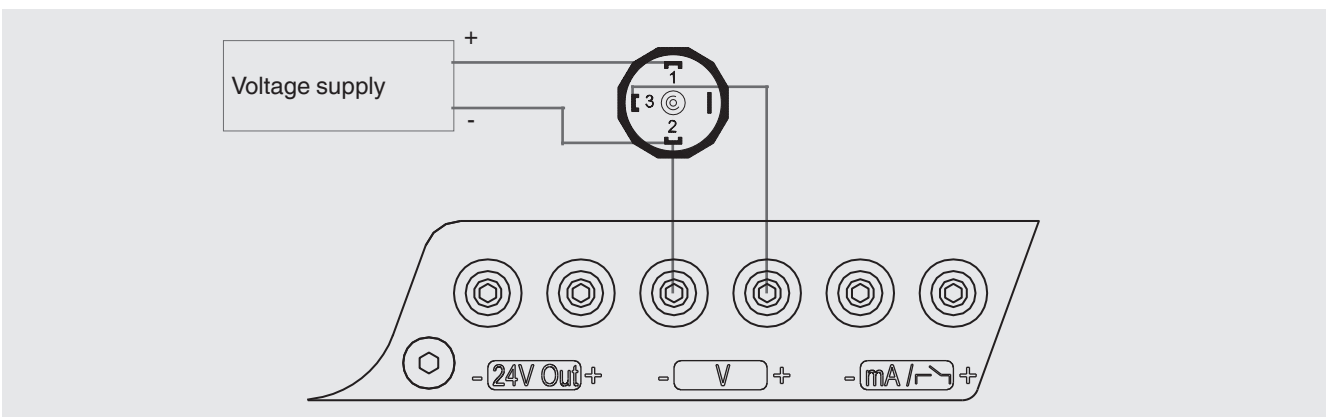
### Example

**Test item is a pressure sensor from WIKA with a voltage output (V signal):**

- ▶ Without its own power supply, the DC 24 V voltage must be activated via the menu (see chapter 6.8 "Operating modes")



- ▶ With its own power supply available



## 6. Commissioning, operation

### 6.3 Test assembly

EN



#### CAUTION!

#### False measuring results through incorrect mounting position

An unsafe stand, vibration or incorrect mounting position can influence the measurement.

- ▶ Only connect test and calibration installations once the system has been depressurised!
- ▶ The CPH6000 should be fully charged before being put into operation.
- ▶ Before switching the instrument on, ensure that the test assembly is not pressurised (system is vented to atmosphere) and that the equipment is correctly assembled and in the correct mounting position.
- ▶ The test assemblies must be physically assembled and, if necessary, connected electrically (see chapter 6.2 “Sensor connection and sensor change”).

Particularly small measuring ranges e.g. < 1 bar [ $< 15$  psi] are orientation dependent (i.e. the mounting position considerably influences the measuring signal). This can be compensated, if necessary, using the **TARE** function (see chapter 6.9.1 “Functions”).

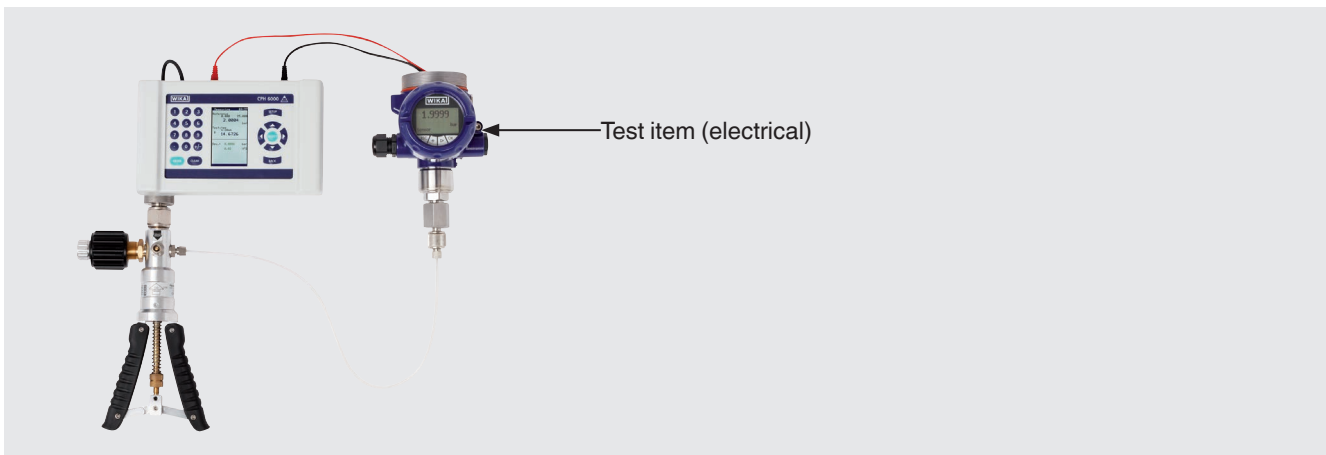
Absolute-pressure measuring ranges < 1 bar abs. [ $< 15$  psi abs.] are, by definition, in an overload condition at atmospheric pressure. Therefore the message “**Overflow**” appears in the display, indicating a pressure outside of the measuring range of the attached sensor.

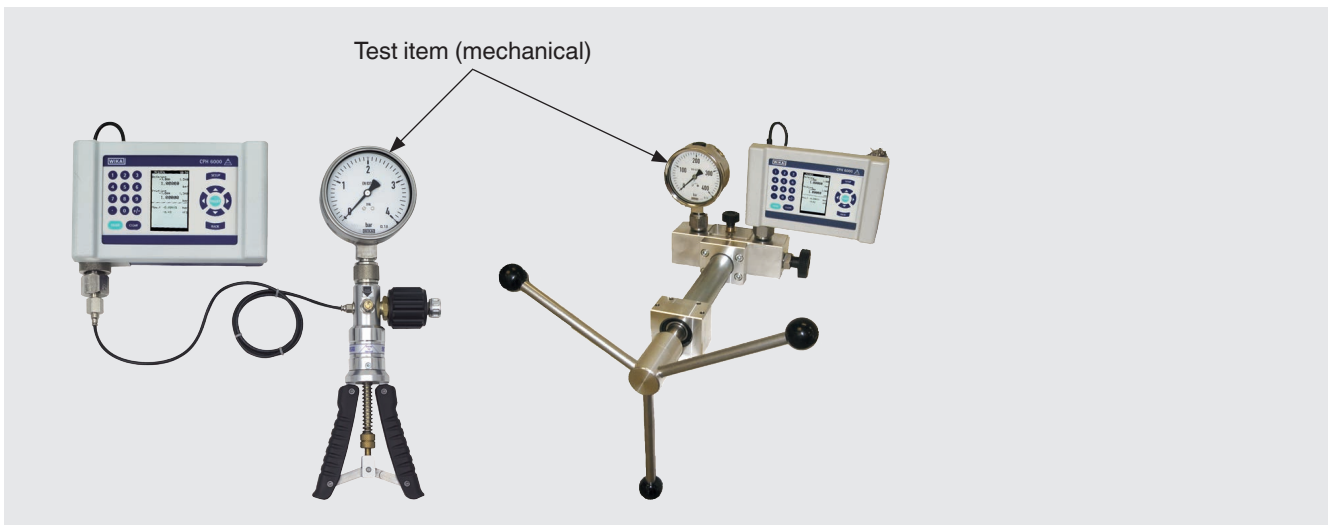
If the pressure is reduced, so that it falls within the permissible measuring range, then the message “**Overflow**” disappears from the display.

Since absolute pressure measuring ranges < 1 bar abs. [ $< 15$  psi abs.] are always 'overloaded' at atmospheric pressure, for these measuring ranges, the time limit function is deactivated with **overload**.

The setting is made in the **SETUP** additional menu item: Reference sensor (see chapter 6.9.3 “Reference sensor”).

#### Example: Test and calibration assembly with test pumps





### 6.4 Pressure measurement

For pressure calibration, connect the test item to the test item connection. Choose a reference sensor that is suitable for the pressure range and accuracy.



#### CAUTION!

##### Incorrect pressure

Pressure sensors may be damaged and/or injuries may occur to the personnel due to a too high pressure loading.

- ▶ For a better understanding with respect to overpressure and burst pressure, follow the specifications laid down in these operating instructions (see chapter 10 “Specifications”).

When a too-high pressure is applied, **Overflow** is shown on the display. An intermittent audio alarm sounds and the display only shows lines, rather than a measured value.

- As soon as these signals occur, the pressure must be reduced immediately to prevent damage or possible physical injury.
- The aforementioned signals occur when the pressure exceeds 110 % of the nominal range of the reference pressure sensor.
- If the measured value of the CPH6000, with a connected reference pressure sensor and a vented test assembly, is not equal to zero, then a zero point or offset correction can be carried out, see following chapters.

### 6.5 Zero point setting of gauge pressure sensors

If the measured value shown on the CPH6000, with a reference pressure sensor connected and the test assembly vented to atmosphere, is not equal to zero, then by pressing the **[CLEAR]** button twice (within five seconds), the zero point can be corrected.

Maximum permissible correction value is equal to 2-times the class accuracy.

### 6.6 Offset correction for absolute pressure sensors

For absolute pressure sensors, an offset correction can be made via the menu (see chapter 6.9.3 “Reference sensor”).

## 6. Commissioning, operation

### 6.7 Setup menu

The instrument features 3 operating modes. **MEASURING / CALIBRATION / SWITCH TEST**, which offer the maximum convenience in relation to its application.

To power the test items and to read their measuring signals, there are electrical inputs and outputs which can be protected from adverse conditions in the field by optional captive protective caps.

EN

Operating modes	Function
<b>MEASURING and CALIBRATION</b>	In the <b>MEASURING</b> (with test item) and <b>CALIBRATION</b> operating modes, the measured values of both the reference pressure sensor and the test item, as well as their deviation, are displayed in both current pressure units and in %. In this way the operator is immediately informed online whether the test item meets the class accuracy or not. The calibration data in <b>CALIBRATION</b> mode are stored internally and can later be transferred onto printable certificates through software (WIKI-Cal).
<b>SWITCH TEST</b>	In the operating mode <b>SWITCH TEST</b> , pressure switches can be checked and an automatic calculation of the switch hysteresis can be performed.

With respect to the transfer of data to a PC, the pressure calibrator has a RS-232 and USB interface, selectable via menu. For further information, see chapter 6.9.6 "Interface".

1. With [**SETUP**], access the main menu "**Configuration**".
2. With [**▲**] or [**▼**], select the desired menu item.
3. Confirm with [**SELECT**].  
⇒ Menu item is displayed.

#### 1 MEASURING operating mode

- To measure working or process pressures
- For comparative measurements and/or calibrations (without data recording) of mechanical <sup>1)</sup> and electrical pressure measuring instruments (supply and display of the test item through the CPH6000)  
→ See chapter 6.8.1 "MEASURING mode"

#### 2 CALIBRATION operating mode

- For on-site calibration of mechanical <sup>1)</sup> and electrical pressure measuring instruments (without PC). In this case the data sets (for up to 16 test items, each with up to 32 test steps including date and time) are recorded within the CPH6000.  
→ See chapter 6.8.2 "CALIBRATION mode"

#### 3 SWITCH TEST operating mode

- For the easy checking of pressure switches, incl. automatic calculation of the switch hysteresis  
→ See chapter 6.8.3 "SWITCH TEST mode"

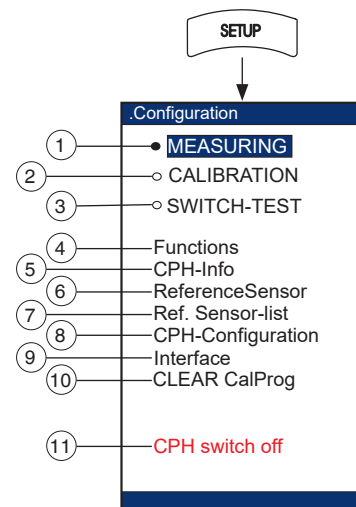
#### 4 Functions

- Tare: Offset correction of the reference pressure value
- Min./Max.: Minimum/Maximum memory
- Alarm: Min./Max. alarm (visual and audible)
- Filter: Damping/smoothing of the reference sensor signal  
→ See chapter 6.9.1 "Functions"

#### 5 CPH info

- General CPH6000 instrument data
- Calibration data for the electrical measuring inputs
- Firmware number
- Serial number of the instrument  
→ See chapter 6.9.2 "CPH info"

1) For mechanical dial instruments, the test item's measured value must be entered via the numeric keypad.



- ⑥ **Reference sensor**  
Data for the currently connected reference pressure sensor
  - Measuring range
  - Accuracy class
  - Pressure type of the sensor
  - Information in the event of reference sensor overpressure
  - Calibration data for the reference sensor→ See chapter 6.9.3 “Reference sensor”
- ⑦ **Reference sensor list**  
List of the stored reference sensors, that can be attached and are calibrated.  
→ See chapter 6.9.4 “Ref. sensor list”
- ⑧ **CPH configuration**
  - Info: on battery level
  - Setting options from: Menu language, system time/system clock, display brightness, PowerSave function (automatic energy saving mode; see chapter 6.9.5 “CPH configuration”)
  - Input options:
    - Ambient temperature during the calibration
    - Height difference existing between the reference pressure sensor and test item (see chapter 6.3 “Test assembly”).→ See chapter 6.9.5 “CPH configuration”
- ⑨ **Interface**  
Interface, incl. setting of the baud rate  
→ See chapter 6.9.6 “Interface”
- ⑩ **CLEAR CalProg**  
Delete all stored calibration data (clear and reset all memory space)  
→ Also see chapter 6.9.7 “CLEAR CalProg”
- ⑪ **Switching off the CPH**  
Switching off the model CPH6000 pressure calibrator  
→ See chapter 6.1.2 “Switching the pressure calibrator off”

## 6. Commissioning, operation

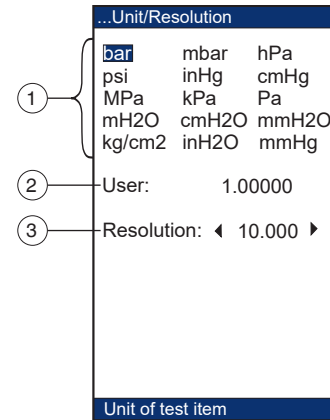
### 6.7.1 Display: Units and resolution

After selecting one of the main menu items from the **SETUP** menu, e.g.: **MEASURING**, **CALIBRATION** or **SWITCH TEST**, using the menu item **Unit**, and its associated submenu respectively, you can set the unit and resolution.

EN

For available units, incl. their conversion factor in relation to the unit bar, see chapter 10.8 "Available pressure range and resolution".

1. With **[SETUP]**, select the menu.
2. With **[▲]** or **[▼]**, select the menu item **Unit**.
3. With **[◀]**, **[▶]**, **[▲]** or **[▼]** select the unit.
4. Confirm with **[SELECT]**
5. With **[▲]** or **[▼]**, select the menu item **User**.
6. Enter unit via numeric keypad.
7. Confirm with **[SELECT]**
8. With **[▲]** or **[▼]**, select the **Resolution**.
9. With **[◀]** or **[▶]**, select the accuracy of resolution.
10. Confirm with **[SELECT]**
11. Back with **[BACK]**.



- 1 Selection of the standard unit
- 2 Customer-specific unit; with respect to bar (input via numeric keypad)
- 3 Display resolution in operating mode.

## 6.8 Operating modes

### 6.8.1 MEASURING mode

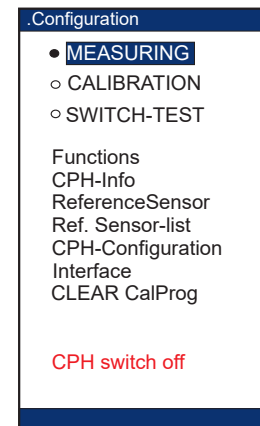
#### Accessing MEASURING mode:

1. With **[SETUP]**, access the main menu.
2. With **[▲]** or **[▼]**, select the menu item **MEASURING**.
3. Confirm with **[SELECT]**.  
⇒ The submenu **MEASURING** is displayed.

#### Preparing for MEASURING:

To switch the instrument to **MEASURING** mode, the following settings must be made beforehand.

- ▶ With **[▲]** or **[▼]**, select menu item.
- ▶ Use **[◀]** or **[▶]** to make the configuration.
- ▶ When finished, confirm all settings with **[SELECT]**.  
⇒ **MEASURING** mode is initiated.



## 6. Commissioning, operation

EN

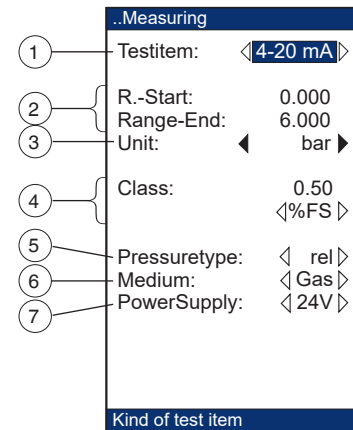
### 1 Test item

- Measuring without test item: [----]
- Measuring with test item: 0 ... 20 mA / 4 ... 20 mA / 0 ... 1 V / 0 ... 2 V / 0 ... 5 V / 0 ... 10 V / or mechanically for pointer instrument

If a comparative measurement with a mechanical dial instrument (test item) is being made, then the gauge's measured value should be entered via the numeric keypad and confirmed with the **[ENTER]** button.



The CPH6000 is only suitable for measuring DC voltage and DC current signals.



### 2 MRS / MRE

Start of measuring range and end of measuring range of the test item currently to be calibrated

### 3 Unit

Unit and resolution (submenu)

→ See chapter 6.7.1 "Display: Units and resolution"

### 4 Class

Measurement uncertainty of the test item in % FS (i.e. of the span) or % rd (i.e. of reading)

### 5 Measurement type

Measurement type for the test item (gauge or absolute)

### 6 Medium

Test medium (pneumatic → gas or hydraulic → oil)

### 7 Supply

Voltage supply for test item (on/off)

If no external supply is required for the test item, "OFF" should be selected to conserve energy

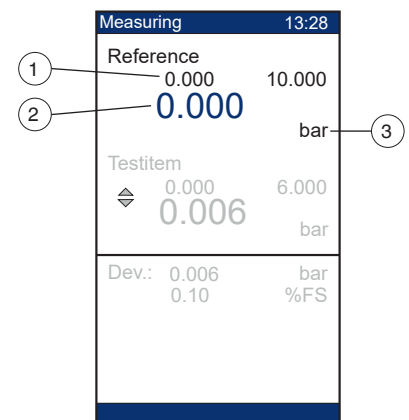
→ See chapter 4.2 "Electrical connections".

### Starting MEASURING mode

When a CPH6000, with a CPT6000 reference pressure sensor connected to it, is first switched on, the instrument (after displaying a brief status message) switches to **MEASURING** mode (see following figure)

#### MEASURING mode with reference pressure sensor only (without test item)

- 1 Measuring range of the CPT6000 reference pressure sensor (which is currently connected)
- 2 Current measured value of the reference pressure sensor
- 3 Pressure unit (adjustable via menu)



In **MEASURING** mode, at the same time as the reference pressure value, a test item can also be displayed on the screen (see following figure). With respect to the configuration, see chapter 6.8.1 "MEASURING mode".

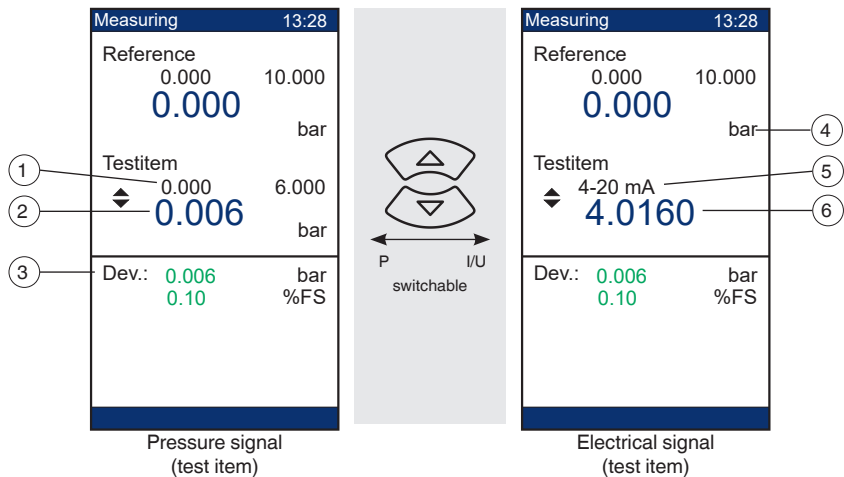
## 6. Commissioning, operation

### Performing MEASURING mode with test item

- ▶ Measurement process can be performed.
- ▶ With [▲] or [▼] the function can be switched between pressure signal and electrical signal.

EN

- 1 Measuring range of the test item
- 2 Current measured value of the test item
- 3 Deviation/difference between reference and test item in the current pressure units and in % of the measuring span (% FS) or % of reading (% rd)
- 4 Pressure unit (of the test item)
- 5 Output signal of the test item
- 6 Current value of the output signal of the test item



### 6.8.2 CALIBRATION mode

#### 6.8.2.1 Configuring the calibration



The instrument has an integral real-time clock with date. The current date of a calibration is stated later in the calibration certificate. Before starting a calibration, you must ensure that the internal date of the CPH6000 is correct (see chapter 6.9.5 "CPH configuration").

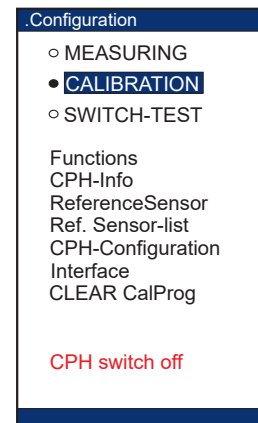
#### Accessing CALIBRATION mode:

1. With [SETUP], access the main menu.
2. With [▲] or [▼] select the menu item **CALIBRATION**.
3. Confirm with [SELECT].  
⇒ The submenu **CALIBRATION** is displayed.

#### Preparing for CALIBRATION:

To switch the instrument to **CALIBRATION** mode, the following settings must be made beforehand.

- ▶ With [▲] or [▼], select menu item.  
⇒ Calibration, test point and set (set point)
- ▶ Use [◀] or [▶] to make the configuration.
- ▶ Input of the values via numeric keypad
- ▶ Confirm by pressing [ENTER].
- ▶ When finished, confirm all settings with [SELECT].  
⇒ **CALIBRATION** mode is initiated.

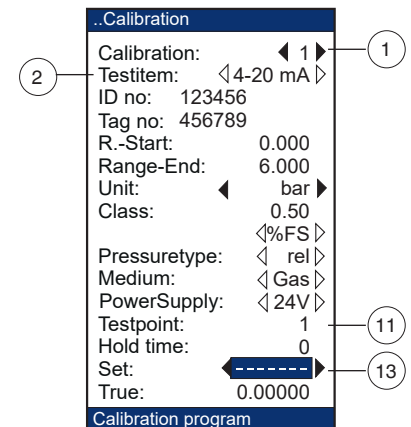




## 6. Commissioning, operation

### Defining the first test point

- ① **Calibration**  
Number of the calibration and therefore the test item (up to 16 calibrations, each with up to 32 test steps, can be predefined and then recorded)
- ② **Test item**  
Test item type and test item measuring signal  
0 ... 20 mA / 4 ... 20 mA / 0 ... 1 V / 0 ... 2 V / 0 ... 5 V / 0 ... 10 V / or mechanically for pointer instrument
- ⑪ **Test point**  
Number of the test point x
- ⑬ **Set**  
Value of the test point x (input via numeric keypad)  
(Test point x+1 and x-1 accessible via [▲] or [▼])



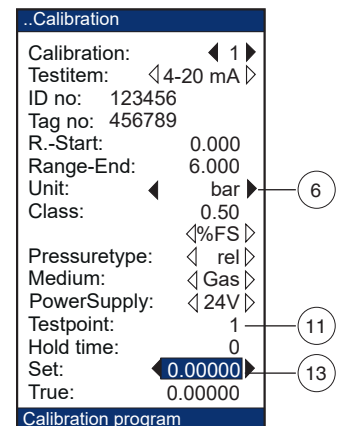
The CPH6000 is only suitable for measuring DC voltage and DC current signals.

### First test point defined

Example here:

Test point no. 1 = 0 bar

- ⑥ **Pressure unit of the test point**  
Unit and resolution (submenu)  
→ See chapter 6.7.1 "Display: Units and resolution"
- ⑪ **Test point**  
No. 1
- ⑬ **Set**  
Test point no. 1 = 0 bar



### Defining the second test point

With [▲] or [▼], select the test point.

- ▶ Call up [▶] 2nd test point.
- ▶ Input of the values via numeric keypad.
- ▶ Confirm by pressing [ENTER].
- ▶ With [◀] back to the previous test point.

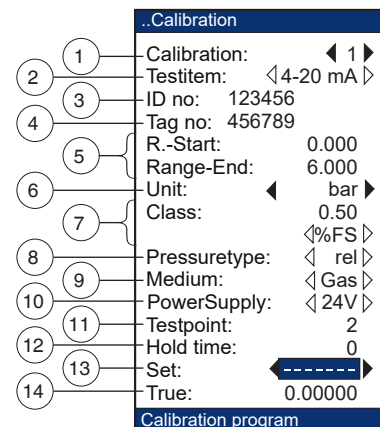
### Defining further test points

Further test points are performed as described in **Defining the second test point**.



It is possible to prepare up to 16 calibrations, each with up to 32 test steps.

- ③ **ID no.**  
IDENT number of the test item
- ④ **Tag no.**  
Measuring location number of the test item
- ⑤ **MRS / MRE**  
Start of measuring range and end of measuring range of the test item currently to be calibrated



## 6. Commissioning, operation

EN

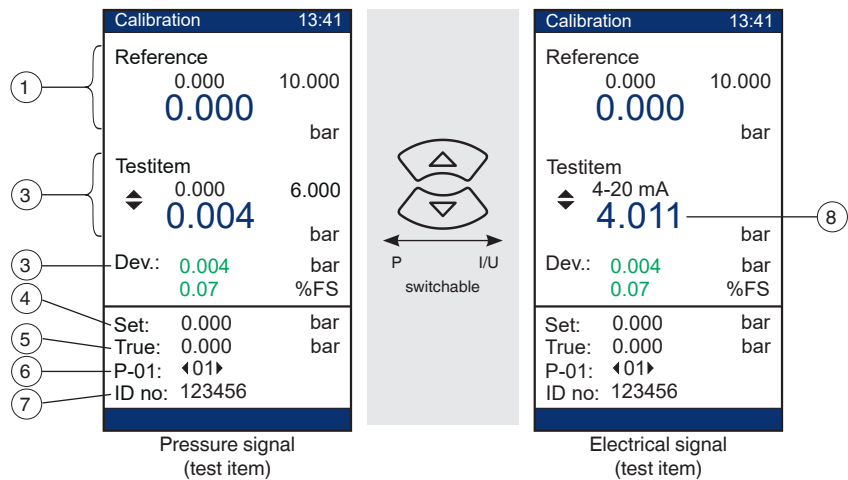
- 7 **Class**  
Measurement uncertainty of the test item in % FS (i.e. of the span) or % rd (i.e. of reading)
- 8 **Measurement type**  
Measurement type for the test item (gauge or absolute)
- 9 **Medium**  
Test medium (pneumatic → gas or hydraulic → oil)
- 10 **Supply**  
Voltage supply for test item (on/off)  
If no external supply is required for the test item, “OFF” should be selected to conserve energy  
→ See chapter 4.2 “Electrical connections”.
- 12 **Hold time**  
Optional delay time [sec]
- 14 **Actual**  
True value of the test item (will be recorded during the calibration)

### CALIBRATION mode

In the **CALIBRATION** mode the data shown above the dashed dividing line is the same as in the “**MEASURING with test item**” mode.

- ▶ Calibration process can be performed.
- ▶ With [▲] or [▼] the function can be switched between pressure signal and electrical signal.

- 1 Current measured value of the CPT6000 reference pressure sensor
- 2 Current measured value of the test item
- 3 Deviation between the test item and reference
- 4 Set point of the calibration
- 5 Actual value of the calibration
- 6 P - 01: Test item no. 1  
<01>: Test step no. 1
- 7 IDENT number of the test item
- 8 Current value of the output signal of the test item



With the calibration of pressure measuring instruments with electrical output signals (pressure transmitters/transmitters) the reference is calibrated to the display (i.e. the pressure is always adjusted so that the reference value matches the set point exactly).

As an exact setting of the pressure is not always possible under certain circumstances, the true reference value is also recorded along with the actual value (test item value) and the set point (reference value). With the WIKA-Cal software, this can be listed in the calibration certificate.



If the calibration is to follow DKD guidelines, then the measured values for each subsequent test point should not be recorded until a defined time has passed (for example 30 seconds), consisting of a load change time and settling time (see Fig. 1 “Calibration cycle in accordance with DKD guideline 6-1” for measurement uncertainty > 0.6 % of measuring span).

## 6. Commissioning, operation

EN

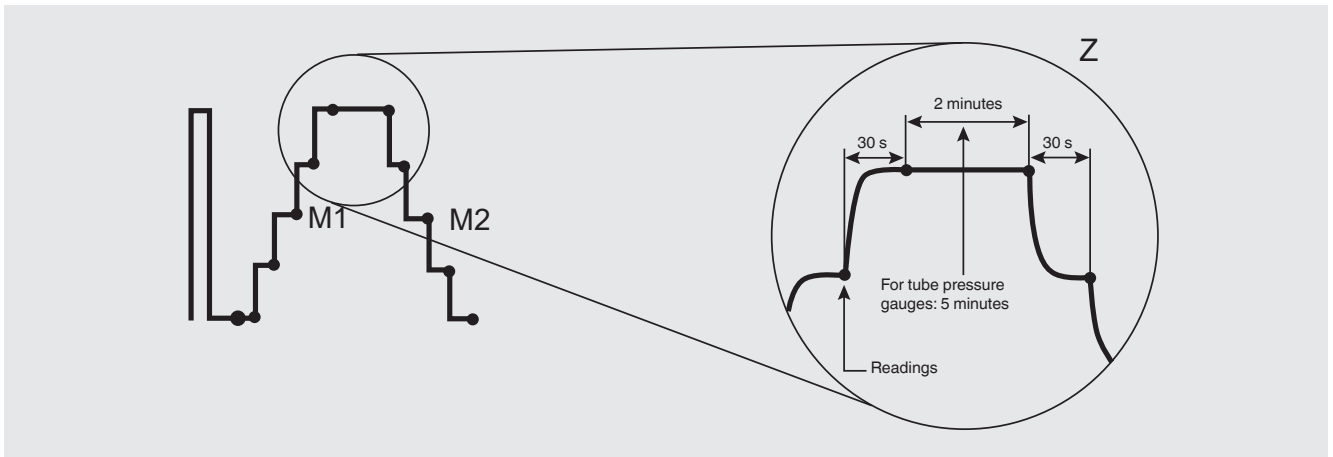


Fig. 1 - Calibration cycle in accordance with DKD guideline 6-1

- 1 **Optional delay time [sec]**  
Input via numeric input keypad and confirmation with **[ENTER]**.

With the entry of such a delay time, the acceptance/recording of the test point is blocked for this duration.

In the example shown, after the first test point has been recorded, 30 seconds must pass before the second test point can be recorded.



Should all test points need to be cleared or reset, since the new calibration consists of fewer test points than the previous test series, press the **[CLEAR]** button. This will clear and reset the current and all subsequent test points. (This process can take several seconds.)

Should all saved calibration data for all calibrations need to be cleared at a single time, see chapter 6.9.7 "CLEAR CalProg".

..Calibration	
Calibration:	◀ 1 ▶
Testitem:	◀ 4-20 mA ▶
ID no:	123456
Tag no:	456789
R.-Start:	0.000
Range-End:	6.000
Unit:	◀ bar ▶
Class:	0.50
	◀ %FS ▶
Pressuretype:	◀ rel ▶
Medium:	◀ Gas ▶
PowerSupply:	◀ 24V ▶
Testpoint:	2
Hold time:	30
Set:	◀ 0.0000 ▶
True:	0.0000
Calibration program	

1

## 6. Commissioning, operation

### 6.8.2.2 Calibrating a pressure transmitter or pressure gauge

#### Defining the first test point (e.g. 0 bar)

- ▶ With [▲] or [▼], select menu item.  
⇒ Calibration, test point and set (set point)
- ▶ Input of the values via numeric keypad
- ▶ Confirm by pressing [ENTER].

- 1 Deviation
- 2 ■ Generate the specified set point in accordance with the test item display using the pressure generator  
⇒ If the set point = 0 bar, the calibration assembly must be brought to a pressure-free condition/vented to atmosphere (test item must indicate 0 bar; if necessary, make a zero point setting)

or

- Generate the specified set point in acc. with the reference display  
⇒ Generate depressurised state/atmosphere

- ▶ Save the measured values of the test point with [ENTER]

- 3 No. of test item and no. of test point

#### Defining the second test point (e.g. 1 bar)

- ▶ With [▲] or [▼], select menu item.  
⇒ Calibration, test point and set (set point)
- ▶ Input of the values via numeric keypad
- ▶ Confirm by pressing [ENTER].

- 4 Generate the specified set point in accordance with the reference display using the pressure generator

#### Second test point defined

- ▶ Record the measured values of the test point
- ▶ With [BACK] return to the previous test point

#### Defining further test points

Further test points are performed as described in **Defining the second test point**.

Calibration		13:41
Reference	0.000	10.000
	<b>0.000</b>	bar
Testitem	0.000	6.000
	<b>0.000</b>	bar
Dev.:	0.000	bar
	0.00	%FS
Set:	0.000	bar
True:	0.000	bar
P-01:	◀01▶	
ID no:	123456	

Calibration		13:41
Reference	0.000	10.000
	<b>0.000</b>	bar
Testitem	0.000	6.000
	<b>0.000</b>	bar
Dev.:	0.000	bar
	0.00	%FS
Set:	1.000	bar
True:	0.000	bar
P-01:	◀02▶	
ID no:	123456	

KALIBRIEREN		13:41
Reference	0.000	10.000
	<b>1.006</b>	bar
Testitem	0.000	6.000
	<b>1.000</b>	bar
Dev.:	-0.006	bar
	-0.10	%FS
Set:	1.000	bar
True:	0.000	bar
P-01:	◀02▶	
ID no:	123456	

## 6. Commissioning, operation

EN

### 6.8.3 SWITCH TEST mode

In **SWITCH TEST** mode, along with the reference pressure sensor data, the status and switch points of the pressure switch are also displayed.

#### Accessing SWITCH TEST mode:

1. With [**SETUP**], access the main menu.
2. With [**▲**] or [**▼**], select menu item **SWITCH TEST**.
3. Confirm with [**SELECT**].  
⇒ The submenu SWITCH TEST is displayed.

#### Preparing the SWITCH TEST:



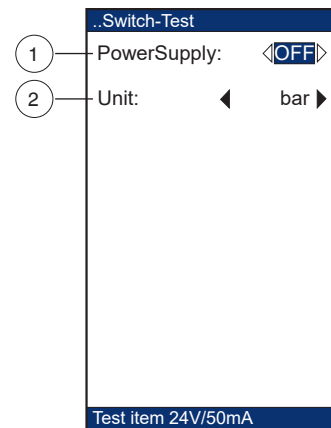
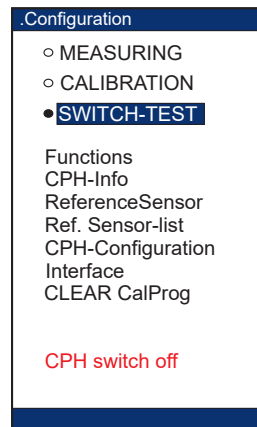
The switch test is not suitable for electronic switches (e.g. PNP- or NPN switches), but is only for mechanical, potential-free switches.

- ▶ With [**▲**] or [**▼**], select menu item.
- ▶ Use [**◀**] or [**▶**] to make the configuration.
- ▶ When finished, confirm all settings with [**SELECT**].  
⇒ **SWITCH TEST** mode is initiated.

- 1 Voltage supply for test item (on/off)  
If no external supply is required for the test item, "**OFF**" should be selected to conserve energy (also see chapter 4.2 "Electrical connections").
- 2 **Unit**  
Unit and resolution (submenu)  
→ See chapter 6.7.1 "Display: Units and resolution"



The calculated measured values of the two switch points and the hysteresis can be reset by pressing the **0** button.



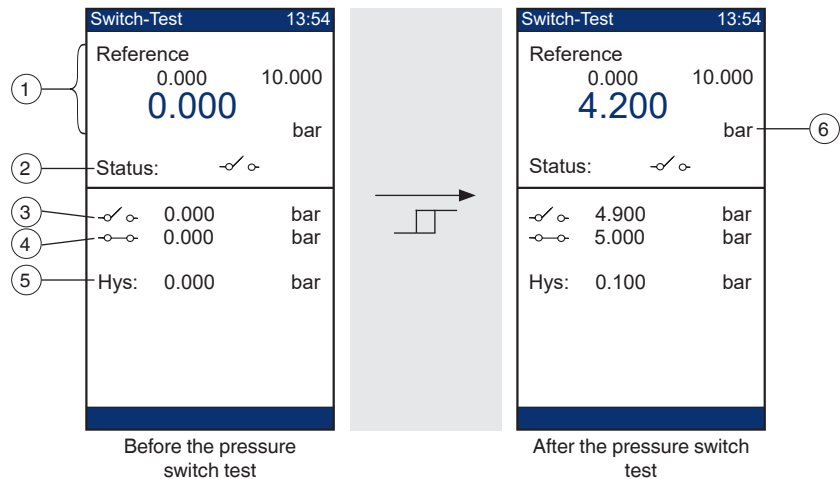
## 6. Commissioning, operation

### SWITCH TEST mode:

- ▶ **SWITCH TEST** can be performed.
- ▶ With [▲] or [▼] the function can be switched between pressure signal and electrical signal.

EN

- ① Current measured value of the CPT6000 reference pressure sensor
- ② Current switching status/status of the pressure switch
- ③ Opening switch point
- ④ Closing switch point
- ⑤ Hysteresis/separation between opening and closing of the switch
- ⑥ Pressure unit (adjustable via menu)

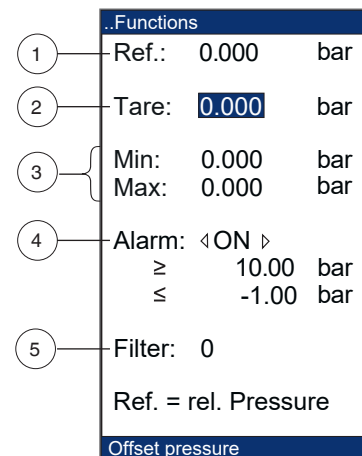


### 6.9 Additional setup menu

#### 6.9.1 Functions

- ▶ With the [▲] or [▼] button, select menu item.
- ▶ Input via numeric keypad
- ▶ Confirm by pressing [ENTER].
- ▶ [CLEAR] deletes the input, or resets the Min./Max. memory

- ① **Ref.:**  
Current measured value of the connected CPT6000 reference pressure sensor
- ② **Tare:**  
Offset function that adjusts the current measured value. The value entered is added to the current measured value.  
(e.g. Ref. 0.000 and Tare: 1.000 → [new] Ref. 1.000)
- ③ **Min./Max.:**  
Minimum and maximum value memory  
The memory is reset by highlighting the value with the [▲] or [▼] cursor and pressing [CLEAR].
- ④ **Alarm:**  
Audible and visible alarm function  
Upper alarm limit: ≥ bar  
Lower alarm limit: ≤ bar  
If the current measured value goes outside the set alarm limits, an intermittent signal tone sounds and the lower status line blinks.
  - Activation  
Move the cursor to the **OFF** field, next to the word **Alarm**, and via [◀] or [▶] change it to **ON**.
  - Deactivation  
Setting it back to **OFF**
- ⑤ **Filter [1-5]:**  
Damping/smoothing of the reference sensor signal  
**Definition of the numbers:**  
1 = no additional smoothing ... 5 = strong smoothing




## 6. Commissioning, operation

EN

### 6.9.2 CPH info

- 1 **Cal-Dat.:**  
Calibration date for the calibration of the electrical measuring inputs of the CPH6000 (year/month/day)
- 2 **Firmware:**  
Firmware version of the CPH6000
- 3 **Serial no.:**  
Serial number of the CPH6000

Info	
 CPH6000	
1	Cal-Dat.: 2011/05/10
2	Firmware: 20.05
3	Serial No: 6000.001

### 6.9.3 Reference sensor

- 1 **Sensor no:**  
Sensor number of the currently connected CPT6000 reference pressure sensor
- 2 **MRS/MRE:**  
Start of measuring range and end of measuring range for the currently connected CPT6000 reference pressure sensor
- 3 **Unit:**  
Basic pressure unit of the CPT6000 reference pressure sensor
- 4 **Class:**  
Accuracy of the measuring chain of the CPH6000 with connected CPT6000 reference pressure sensor
- 5 **Measurement type:**  
Pressure type of the currently connected CPT6000 reference pressure sensor (gauge pressure or absolute pressure)
- 6 **Overload**  
Duration for which the CPT6000 reference pressure sensor was unacceptably overloaded.

..ReferenceSensor	
1	<b>Sensor no:</b> 362A
2	R.-Start: 0.00
3	Range-End: 10.00
4	Unit: bar
5	Class: %FS 0.025
6	Pressuretype: rel
	Overload: 0 sec
Read	
7	Ref-Value: 0.001
8	Offset: 0.000
9	Cal-Dat.: 2011/05/10



If the value here is not equal to zero, then it is highly probable that the instrument no longer meets its specified class accuracy. The only solution for this is an immediate recalibration. (For absolute pressure sensors < 1 bar abs. [< 15 psi abs.], this function is deactivated, since for these measuring ranges atmospheric pressure already represents an overload).

- 7 **Ref-Value:**  
Current measured value of the connected CPT6000 reference pressure sensor
- 8 **Offset:**  
This menu item only appears if the CPT6000's reference pressure sensor is an absolute pressure sensor. Through this menu item the measured value of the reference pressure sensor can be adjusted. This should only be used, however, as close as possible to the absolute zero point, and using a reference that is at least four times more accurate.
- 9 **Cal-Dat.:**  
Calibration date of the CPT6000 reference pressure sensor (year/month/day)

## 6. Commissioning, operation

### 6.9.4 Ref. sensor list

The CPH6000 pressure calibrator supports up to 10 CPT6000 reference pressure sensors.

- ▶ With the [▲] or [▼] button, select the sensor.
- ▶ Confirm by pressing [ENTER]

EN

- 1 Currently connected CPT6000 reference pressure sensor
- 2 Sensor list of the supported CPT6000 reference pressure sensors (calibrated with the instrument)
- 3 Data of the sensor which has been selected using the cursor (calibration date: year/month/day)

..Ref. Sensor-list	
1	Current 362A
2	01 362A 06 ----
	02 Rp52 07 ----
	03 Kd35 08 ----
	04 Rp56 09 ----
	05 ---- 10 ----
3	R.-Start: 0.000
	Range-End: 10.000
	Unit: bar
	Cal-Dat.: 2011/05/10
	Class: 0.025
Input of current term	

### 6.9.5 CPH configuration

- ▶ With the [▲] or [▼] button, select menu item.
- ▶ Input via numeric keypad.
- ▶ Confirm by pressing [ENTER].
- ▶ [CLEAR] deletes the input.

This menu section lists general instrument settings, such as:

- 1 **Temperature:**  
Input possibility for an ambient temperature
- 2 **HeightDiff:**  
Input possibility for a height difference between reference pressure sensor and test item, used in the automatic correction.
  - ▶ Calculating a pressure based on a medium column.

..CPH-Configuration	
1	Temperature: 20.0 °C
2	HeightDiff: 0 mm
3	Language: German
4	Date: 2011/05/10
5	Time: 13:22:51
6	Brightness: 80 %
7	Powersave: 15 min
8	Batterylevel: 100 %
Input of current term	

If a significant height difference exists between the CPT6000 reference pressure sensor and the test item, then the pressure difference, based on a medium column, can be compensated automatically via the menu.



The standard height difference between test item and CPT6000 reference pressure sensor is 98 mm [3.86 in].

- 3 **Language:**  
Selection of the menu language (German/English/French/Spanish/Italian)
- 4 **Date:**  
Date of the system clock (year/month/day)
- 5 **Time:**  
Time of the system clock (hours/minutes/seconds)
- 6 **Brightness:**  
Brightness of the backlighting of the display
- 7 **Powersave:**  
Automatic switch-off time for backlighting and internal auxiliary supply for test items with DC 24 V.  
If the instrument is idle for the set switch-off time (no buttons pressed and no interface communication), then the backlighting and the voltage supply for the test item with DC 24 V will be switched off until any button is pressed or the instrument is addressed over the interface.



## 6. Commissioning, operation

EN

- 8 **Battery level:**  
Current battery level  
At 10 % the low battery charge warning, “**low BAT**” is shown in the display.

### 6.9.6 Interface

The interfaces can be switched on and off. In order to extend the battery life, the interfaces should be deactivated when not in use.

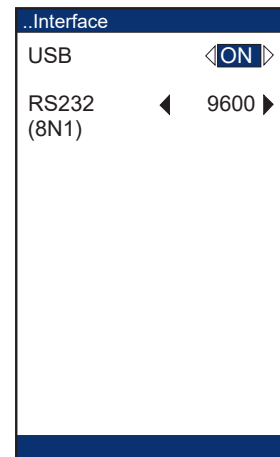
- ▶ With the [▲] or [▼] button, select the interface.
- ▶ Confirm selection with [SELECT].
- ▶ With the [◀] or [▶] buttons, change between the interface and baud rate.

#### RS-232 interface

For the RS-232 interface there is a choice of 3 different baud rates with fixed 8 used data bits, no parity and 1 stop bit.

#### USB interface

The USB interface can only be switched on and off.



### 6.9.7 CLEAR CalProg

If the **SETUP** menu item **CLEAR CalProg** is selected with the cursor and then the [SELECT] button is pressed 2 x, then all stored calibration data will be deleted or reset.



The status of the deletion process is shown at the left of the lower info screen.

### 6.10 Working with WIKA-Cal

WIKA-Cal calibration software serves for the creation of calibration certificates or logger protocols for pressure measuring instruments.

The WIKA-Cal calibration software enables both reading the logger data stored in the hand-held as well as online calibrations together with a PC. The scope of software functions depends on the selected licence.

Further information on this, and also the operation, can be found in the instruction manual of WIKA-Cal.

## 8. Faults

### 7. Faults

**Personnel:** Skilled personnel

EN



#### CAUTION!

#### Physical injuries and damage to property and the environment

If faults cannot be eliminated by means of the listed measures, the instrument must be taken out of operation immediately.

- ▶ Ensure that pressure or signal is no longer present and protect against accidental commissioning.
- ▶ Contact the manufacturer.
- ▶ If a return is needed, please follow the instructions given in chapter 9.2 "Return".



For contact details, see chapter 1 "General information" or the back page of the operating instructions.

Faults	Causes	Measures
<b>Power supply unit</b>		
The screen is dark and "Charging the rechargeable battery" has no effect.	Defective power supply unit	Replace the power supply unit with a new one (see chapter 11 "Accessories")
	The power supply unit is not properly connected	Check whether the power supply unit is connected properly and check, through the authorised skilled personnel, whether the voltage supply is correct
<b>Rechargeable battery</b>		
The message " <b>low BAT</b> " is shown in the display.	The load capacity of the rechargeable battery is less than 10 %	Charge the rechargeable battery using the appropriate charger
The screen will be dark after the instrument is switched on and during operation.	Rechargeable battery is empty	Recharge the rechargeable battery using the power supply unit
Instrument smells when used or becomes unusually hot when charging	Defective rechargeable battery	Take the instrument out of service immediately and contact the manufacturer
Instrument smells during storage or gets unusually hot	Defective rechargeable battery	Take the instrument out of service immediately and contact the manufacturer
Instrument seems abnormal in some other way	Defective rechargeable battery	Take the instrument out of service immediately and contact the manufacturer
The rechargeable battery is not fully charged after 24 hours	Defective rechargeable battery	Take the instrument out of service immediately and contact the manufacturer
<b>Malfunions</b>		
The backlighting and the internal voltage supply for the test items with DC 24 V are suddenly no longer available.	The screen is dark since the PowerSave function is switched on. This is activated when no buttons have been touched for a certain time.	Press any button to interrupt the PowerSave function, and if necessary, increase the idle time for the PowerSave feature (see chapter 6.9.5 "CPH configuration")
Measured values are fluctuating heavily.	Malfunions during operation	Switch off the instrument and switch on again after 5 seconds
<b>Measurements and test item</b>		
There is an intermittent audio alarm and in the lower infobar, there is a message "Overflow".	The current pressure value is slightly outside the allowable pressure range (2 ... 10 %)	Adjust the pressure
An intermittent audio alarm is audible and the display shows lines rather than the measured value.	The current pressure value is more than 10 % outside the allowable pressure range	Adjust the pressure immediately
	The model CPT6000 reference pressure sensor is not properly connected, or there is a problem with the connection	Connect the reference pressure sensor properly Check connection between CPH6000 and CPT6000

## 8. Faults / 9. Maintenance, cleaning and recalibration

Faults	Causes	Measures
The test item (read via mA or V measuring inputs) is not responding	Test item is not properly connected	Check the cabling
	Test item is without its own power supply	Activate the voltage supply for the test items with DC 24 V
The test item (read via mA or V measuring inputs) displays a false value	Wrong measuring range entered for the test item	Enter correct measuring range of the test item

EN

### 8. Maintenance, cleaning and recalibration

**Personnel:** Skilled personnel



For contact details, see chapter 1 “General information” or the back page of the operating instructions.

#### 8.1 Maintenance

The pressure calibrator is maintenance-free.  
Repairs must only be carried out by the manufacturer.

#### 8.2 Cleaning



**CAUTION!**

**Physical injuries and damage to property and the environment**

Improper cleaning may lead to physical injuries and damage to property and the environment. Residual media in the dismantled instrument can result in a risk to persons, the environment and equipment.

- ▶ Use the requisite protective equipment.
- ▶ Carry out the cleaning process as described below.

1. Before cleaning, correctly disconnect the instrument from the pressure supply, switch it off and disconnect it from the mains.
2. Clean the instrument with a moist cloth.  
Electrical connections must not come into contact with moisture!



**CAUTION!**

**Damage to the instrument through improper cleaning**

Improper cleaning may lead to damage to the instrument!  
The ingress of liquids can lead to personal injury or damage to the calibrator.

- ▶ Do not use any aggressive cleaning agents.
- ▶ Do not use any hard or pointed objects for cleaning.
- ▶ Ensure that no liquids find their way into the case.

3. Clean the instrument, in order to protect persons and the environment from damage through residual media.

#### 8.3 Recalibration

**DAkkS calibration certificate or official certificates:**

We recommend that the instrument is regularly recalibrated by the manufacturer, with time intervals of approx. 12 months. The default settings will be corrected if necessary.

## 10. Dismounting, return and disposal

### 9. Dismounting, return and disposal

**Personnel:** Skilled personnel

**Protective equipment:** Protective gloves, safety goggles

**Tools:** Open-ended spanner or torque wrench

EN



**WARNING!**

**Physical injuries and damage to property and the environment through residual media**

Residual media at the instrument can result in a risk to persons, the environment and equipment.

- ▶ Wear the requisite protective equipment.
- ▶ Observe the information in the material safety data sheet for the corresponding medium.
- ▶ Wash or clean the dismantled instrument, in order to protect persons and the environment from exposure to residual media.

#### 9.1 Dismounting



**WARNING!**

**Physical injury**

During dismantling there is a risk of high pressures.

- ▶ Disconnect test and calibration installations once the system has been depressurised!

#### 9.2 Return

**Strictly observe the following when shipping the instrument:**

All instruments delivered to WIKA must be free from any kind of hazardous substances (acids, bases, solutions, etc.) and must therefore be cleaned before being returned.



**WARNING!**

**Physical injuries and damage to property and the environment through residual media**

Residual media at the instrument can result in a risk to persons, the environment and equipment.

- ▶ With hazardous substances, include the material safety data sheet for the corresponding medium.
- ▶ Clean the instrument, see chapter 8.2 "Cleaning".

When returning the instrument, use the original packaging or a suitable transport packaging.

#### **Instruments with lithium-ion rechargeable batteries or lithium-metal batteries**

The lithium-ion rechargeable batteries or lithium-metal batteries included are subject to the requirements of the dangerous goods law. Special requirements for packaging and labelling must be observed when shipping. A dangerous goods expert must be consulted when preparing the package. Do not send any damaged or defective rechargeable batteries. Mask open contacts and pack the rechargeable battery so that it does not move in the packaging and also prevents short-circuits. Observe the different dangerous goods requirements relative to the respective modes of transport and any other national regulations.

- ▶ Do not ship the instrument if the rechargeable battery is damaged or defective.
- ▶ The rechargeable battery is permanently installed in the pressure calibrator. In case the rechargeable battery stops working, contact the manufacturer.
- ▶ The rechargeable battery is a consumable. All rechargeable batteries have a limited number of charging cycles and may need to be checked at any given time. If you notice that the pressure calibrator must be charged more frequently, contact the manufacturer immediately.



For contact details, see chapter 1 "General information" or the back page of the operating instructions.

## 10. Dismounting, return and disposal / 11. Specifications

EN

### To avoid damage:

1. Wrap the instrument in an anti-static plastic film.
2. Place the instrument, along with the shock-absorbent material, in the packaging. Place shock-absorbent material evenly on all sides of the transport packaging.
3. If possible, place a bag, containing a desiccant, inside the packaging.
4. Label the shipment as carriage of a highly sensitive measuring instrument.



Information on returns can be found under the heading "Service" on our local website.

### 9.3 Disposal

Incorrect disposal can put the environment at risk.

Dispose of instrument components and packaging materials in an environmentally compatible way and in accordance with the country-specific waste disposal regulations.



Do not dispose of with household waste. Ensure a proper disposal in accordance with national regulations.

## 10. Specifications

### 10.1 Basic information - Complete measuring chain

Complete measuring chain		
<b>Sensor technology</b>	<ul style="list-style-type: none"> <li>■ 1 reference pressure sensor CPT6000 (interchangeable without tools)</li> <li>■ External operation via 1.1 m [3.6 ft] sensor connection cable (plug-and-play)</li> </ul>	
<b>Version</b>	Up to ten data sets or reference pressure sensors can be programmed per CPH6000.	
<b>Accuracy of the measuring chain <sup>1) 2)</sup></b>		
Gauge pressure	0.025 % FS	≤ 1,000 bar [≤ 14,500 psi]
	0.1 % FS	> 1,000 bar ... ≤ 6,000 bar [> 14,500 psi ... ≤ 87,000 psi]
Absolute pressure	0.025 % FS	≤ 25 bar abs. [≤ 360 psi abs.]
<b>Pressure types</b>		
Gauge pressure	0 ... 6,000 bar [0 ... 87,000 psi]	
Absolute pressure	0 ... 0.25 bar abs. to 0 ... 25 bar abs. [0 ... 4 psi abs. to 0 ... 360 psi abs.]	
Vacuum and +/- measuring range	-600 ... +600 mbar to -1 ... 39 bar [-10 ... +10 psi to -14.5 ... 550 psi]	

1) It is defined by the total measurement uncertainty, which is expressed with the coverage factor ( $k = 2$ ) and includes the following factors: the intrinsic performance of the instrument, the measurement uncertainty of the reference instrument, long-term stability, influence of ambient conditions, drift and temperature effects over the compensated range during a periodic zero point adjustment.

2) Calibrated at 23 °C [74 °F] and in a vertical mounting position, pressure connection facing downwards.

# 11. Specifications

## 10.2 Specifications for digital indicator model CPH6000

EN

Basic information		
<b>Functions</b>		
Operating mode	Measuring, calibration and switch test	
Functions	<ul style="list-style-type: none"> <li>■ Measuring, calibration and switch test</li> <li>■ Min./Max. memory</li> <li>■ Tare</li> <li>■ Min./Max. alarm (audible/visual)</li> <li>■ Filter (running averaging)</li> <li>■ Zero point adjustment</li> <li>■ PowerSave function</li> </ul>	
Measuring rate	2 values/s	
<b>Calibration function</b>		
Memory capacity	Up to 10 test items	
Test points/test item	Up to 32 comparison test points	
<b>Switch test function</b>		
Switch points	Determination of the switch points and automatic calculation of the hysteresis	
<b>Voltage supply</b>		
Supply voltage	Internal lithium-ion rechargeable battery (charging time: < 6 h)	
Battery life	Approx. 20 hours of operation	
<b>Case</b>		
Material	<ul style="list-style-type: none"> <li>■ Impact-resistant ABS plastic</li> <li>■ Membrane keyboard</li> <li>■ Transparent screen</li> </ul>	
Ingress protection	IP54 (with protective caps closed)	
Dimensions	See technical drawing	
Weight	Without sensor	Approx. 850 g [1.87 lbs.]
	With sensor	Approx. 1.080 kg [2.4 lbs.]
<b>Sensor compatibility</b>	Compatible with model CPT6000 reference pressure sensors	

Input signal	
<b>Measuring input, voltage</b>	
Measuring range	<ul style="list-style-type: none"> <li>■ DC 0 ... 1 V</li> <li>■ DC 0 ... 2 V</li> <li>■ DC 0 ... 5 V</li> <li>■ DC 0 ... 10 V</li> </ul>
Accuracy	1.0 mV
<b>Measuring input, current</b>	
Measuring range	<ul style="list-style-type: none"> <li>■ 0 ... 20 mA</li> <li>■ 4 ... 20 mA</li> </ul>
Accuracy	5.0 µA

Digital indicator	
<b>Digital display</b>	
Indication range	-19999 ... 19999 digits (dependent upon connected reference pressure sensor)
Display resolution	Up to 6 digits; adjustable
Backlighting	Adjustable via menu
Type of display	Large TFT colour screen for the display of reference, test signals and additional information

# 11. Specifications

EN

Digital indicator	
<b>Menu languages</b>	Adjustable via menu <ul style="list-style-type: none"> <li>■ English</li> <li>■ German</li> <li>■ Spanish</li> <li>■ French</li> <li>■ Italian</li> </ul>
<b>Units</b>	
Pressure units	Adjustable via menu <ul style="list-style-type: none"> <li>■ mbar</li> <li>■ bar</li> <li>■ psi</li> <li>■ Pa</li> <li>■ hPa</li> <li>■ kPa</li> <li>■ MPa</li> <li>■ mmHg</li> <li>■ cmHg</li> <li>■ inHg</li> <li>■ mmH<sub>2</sub>O</li> <li>■ cmH<sub>2</sub>O</li> <li>■ mH<sub>2</sub>O</li> <li>■ inH<sub>2</sub>O</li> <li>■ kg/cm<sup>2</sup></li> <li>■ Customer-specific unit</li> </ul>

Output signal	
<b>Analogue output</b>	
Voltage supply	DC 24 V (can be activated via menu)
Load	Min. 20 mA Max. 50 mA
<b>Communication</b>	
Interface	<ul style="list-style-type: none"> <li>■ RS-232</li> <li>■ USB</li> </ul>
Interface cable	<ul style="list-style-type: none"> <li>■ Without</li> <li>■ For RS-232</li> <li>■ For USB</li> <li>■ For RS-232 and USB</li> </ul>
Configuration software	WIKA-Cal
Baud rate	9600
Measuring rate	2 value/s

Electrical connection	
Connection type	Via banana plugs
Ingress protection	IP65 (with cable connected)
Sensor connection cable	<ul style="list-style-type: none"> <li>■ Without</li> <li>■ Length 1.1 m [3.61 ft]</li> </ul>

Operating conditions	
Operating temperature	0 ... 50 °C [32 ... 122 °F]
Ambient temperature range	0 ... 50 °C [32 ... 122 °F]
Storage temperature range	-20 ... +70 °C [-4 ... +158 °F]
Relative humidity	0 ... 85 % r. h. (non-condensing)
Ingress protection	<ul style="list-style-type: none"> <li>■ IP20</li> <li>■ IP53 (front), IP54 (rear)</li> </ul>

11069023.05 01/2023 EN/DE

# 11. Specifications

## 10.3 Specifications for reference pressure sensor model CPT6000

EN

### Accuracy specifications

Accuracy	≤ 0.025 % FS (only in combination with CPH6000)
Compensated range	0 ... 50 °C [32 ... 122 °F]
Reference conditions per IEC 61298-1 <sup>1)</sup>	
Ambient temperature	15 ... 25 °C [59 ... 77 °F]
Atmospheric pressure	860 ... 1,060 mbar [12.5 ... 15.4 psig]
Air humidity	45 ... 75 % r. h.
Mounting position	Vertical mounting position, process connection facing downwards

1) Calibrated at 23 °C [74 °F] and in a vertical mounting position, pressure connection facing downwards.

### Pressure ranges, gauge pressure

bar	
0 ... 0.25	0 ... 60
0 ... 0.4	0 ... 100
0 ... 0.6	0 ... 160
0 ... 1	0 ... 250
0 ... 1.6	0 ... 400
0 ... 2.5	0 ... 600
0 ... 4	0 ... 700
0 ... 6	0 ... 1,000
0 ... 10	0 ... 1,600
0 ... 16	0 ... 2,500
0 ... 20	0 ... 4,000
0 ... 25	0 ... 5,000
0 ... 40	0 ... 6,000

psi	
0 ... 4	0 ... 1,450
0 ... 6	0 ... 2,320
0 ... 10	0 ... 3,630
0 ... 14.5	0 ... 5,800
0 ... 25	0 ... 8,700
0 ... 40	0 ... 10,000
0 ... 60	0 ... 14,500
0 ... 90	0 ... 23,200
0 ... 145	0 ... 36,200
0 ... 250	0 ... 58,000
0 ... 360	0 ... 72,500
0 ... 580	0 ... 87,000
0 ... 870	

### Pressure ranges, absolute pressure

bar abs.	
-0.8 ... 1.2	0 ... 4
0 ... 0.25	0 ... 6
0 ... 0.4	0 ... 10
0 ... 0.6	0 ... 16
0 ... 1	0 ... 20
0 ... 1.6	0 ... 25
0 ... 2.5	

psi abs.	
-11.6 ... 17.4	0 ... 36
0 ... 4	0 ... 60
0 ... 6	0 ... 90
0 ... 8	0 ... 145
0 ... 14.5	0 ... 230
0 ... 23	0 ... 360



# 11. Specifications

## Pressure ranges, vacuum and +/- measuring range

bar	
-0.25 ... +0.25	-1 ... 5
-0.4 ... +0.4	-1 ... 9
-0.6 ... +0.6	-1 ... 15
-1 ... 0	-1 ... 20
-1 ... 1.5	-1 ... 24
-1 ... 2.5	-1 ... 39
-1 ... 3	

psi	
-4 ... +4	-14.5 ... 44
-6 ... +6	-14.5 ... 73
-10 ... +10	-14.5 ... 130
-14.5 ... 0	-14.5 ... 220
-14.5 ... 22	-14.5 ... 350
-14.5 ... 36	-14.5 ... 565

EN

Other measuring ranges on request.

Further details on: Measuring range		
<b>Overpressure limit</b>		
3 times	< 25 bar	< 360 psi
2 times	> 25 ... ≤ 600 bar	> 360 ... ≤ 8,700 psi
1.5 times	> 600 ... ≤ 2,500 bar	> 8,700 ... ≤ 36,260 psi
1.2 times	> 2,500 bar	> 36,260 psi
<b>Vacuum resistance</b>	Yes	

Process connection		
<b>Standard</b>	EN 837	
<b>Size</b>	G ½ B	≤ 1,000 bar [≤ 14,500 psi]
	M16 x 1.5 female, with sealing cone	≥ 1,000 bar [≥ 14,500 psi]
	G 1 B flush	≤ 1.6 bar [≤ 23 psi]
	G ½ B flush	≤ 600 bar [≤ 8,700 psi]
<b>Pressure adapters 1)</b>	<ul style="list-style-type: none"> <li>■ Without</li> <li>■ G ½ to ¼ NPT</li> <li>■ G ½ to ½ NPT</li> </ul>	
<b>Sealing</b>	<ul style="list-style-type: none"> <li>■ NBR</li> <li>■ EPDM</li> </ul>	
<b>Other versions</b>	Oil- and grease-free	
<b>Material</b>		
Case	Stainless steel	
Wetted parts	Stainless steel (standard)	Standard
	Elgiloy®	Additionally for measuring ranges > 25 bar ... ≤ 1,000 bar [ > 360 ... ≤ 14,500 psi]
Internal pressure transmission medium	Synthetic oil	With measuring ranges up to ≤ 25 bar [≤ 360 psi]

1) Only possible for thread size G ½ B.

# 11. Specifications

EN

## Output signal

### Signal type

Current	<ul style="list-style-type: none"> <li>■ 4 ... 20 mA</li> <li>■ 0 ... 20 mA</li> </ul>
Voltage	<ul style="list-style-type: none"> <li>■ DC 0 ... 1 V</li> <li>■ DC 0 ... 2 V</li> <li>■ DC 0 ... 5 V</li> <li>■ DC 0 ... 10 V</li> </ul>
Connection method	<ul style="list-style-type: none"> <li>■ 2-wire</li> <li>■ 3-wire</li> </ul>

## Operating conditions model CPT6000

Medium temperature range	-20 ... +80 °C [-4 ... +176 °F]
Ambient temperature range	-20 ... +80 °C [-4 ... +176 °F]
Storage temperature range	-40 ... +85 °C [-40 ... +185 °F]
Relative humidity	0 ... 95 % r. h. (non-condensing)
Ingress protection	<ul style="list-style-type: none"> <li>■ IP54</li> <li>■ IP65 (with cable connected)</li> </ul>

## 10.4 Power supply unit

### Power supply unit

#### Permissible ambient conditions

Operating temperature range	0 ... 45 °C [32 ... +113 °F]
Storage temperature range	-40 ... +85 °C [-40 ... +185 °F]
Relative humidity	5 ... 95 % r. h. (non-condensing)

## 10.5 Test cables

### Test cable set (red and black)

Scope	<ul style="list-style-type: none"> <li>■ 2 pairs of measuring lines</li> <li>■ 2 pairs of clamp connectors</li> <li>■ 2 pairs of crocodile clips</li> </ul>	
Operating temperature	-15 ... +70 °C [-30 ... +158 °F]	
Dimensions	4 x 500 mm [0.16 x 19.69 in] 4 x 300 mm [0.16 x 11.8 in]	
Nominal voltage	<ul style="list-style-type: none"> <li>■ DC 60 V</li> <li>■ AC 30 V</li> </ul>	
Nominal current	Measuring lines	32 A
	Crocodile clips	5 A

11069023.05 01/2023 EN/DE

# 11. Specifications

## 10.6 Approvals

Logo	Description	Region
CE	<b>EU declaration of conformity for model CPH6000</b>	European Union
	EMC directive EN 61326 emission (group 1, class B) and immunity (portable measuring equipment)	
	RoHS directive	
CE	<b>EU declaration of conformity for model CPT6000</b>	European Union
	EMC directive EN 61326 emission (group 1, class B) and immunity (industrial environments)	
	Pressure equipment directive PS > 200 bar; module A, pressure accessory	
	RoHS directive	
UK CA	<b>UKCA for model CPH6000</b>	United Kingdom
	Electromagnetic compatibility regulations	
	Restriction of hazardous substances (RoHS) regulations	
UK CA	<b>UKCA for model CPT6000</b>	United Kingdom
	Electromagnetic compatibility regulations	
	Pressure equipment (safety) regulations	
	Restriction of hazardous substances (RoHS) regulations	

## 10.7 Certificates

Certificates	
<b>Calibration</b>	
CPT6000	<ul style="list-style-type: none"> <li>■ 3.1 inspection certificate per EN 10204 (factory calibration)</li> <li>■ DAkkS calibration certificate (traceable and accredited in accordance with ISO/IEC 17025)</li> </ul>
CPH6000, electrical module	<ul style="list-style-type: none"> <li>■ 3.1 inspection certificate per EN 10204 (factory calibration)</li> <li>■ DAkkS calibration certificate (traceable and accredited in accordance with ISO/IEC 17025)</li> </ul>
<b>Recommended calibration interval</b>	1 year (dependent on conditions of use)

### Certified accuracy

For each reference pressure sensor, the accuracy is certified by a factory calibration certificate which accompanies the instrument.

For further specifications, see WIKA data sheet CT 15.01 and the order documentation.

→ For approvals and certificates, see website

# 11. Specifications

## 10.8 Available pressure range and resolution

Pressure range and factors		
Gauge pressure	-1 ... +20 bar (-14.5 ... +300 psi)	
Overpressure safety	40 bar (580 psi)	
Unit	Conversion factor and resolution	
psi	1	300.00
bar	0.06894757	20.684
mbar	68.94757	20,684
kPa	6.894757	2,068.4
MPa	0.00689476	2.0684
kg/cm <sup>2</sup>	0.07030697	21.092
cmH <sub>2</sub> O (4 °C)	70.3089	21,093
cmH <sub>2</sub> O (20 °C)	70.4336	21,130
inH <sub>2</sub> O (4 °C)	27.68067	8,304.2
inH <sub>2</sub> O (20 °C)	27.72977	8,318.9
inH <sub>2</sub> O (60 °C)	27.70759	8,312.3
mmHg (0 °C)	51.71508	15,515
inHg (0 °C)	2.03602	610.81

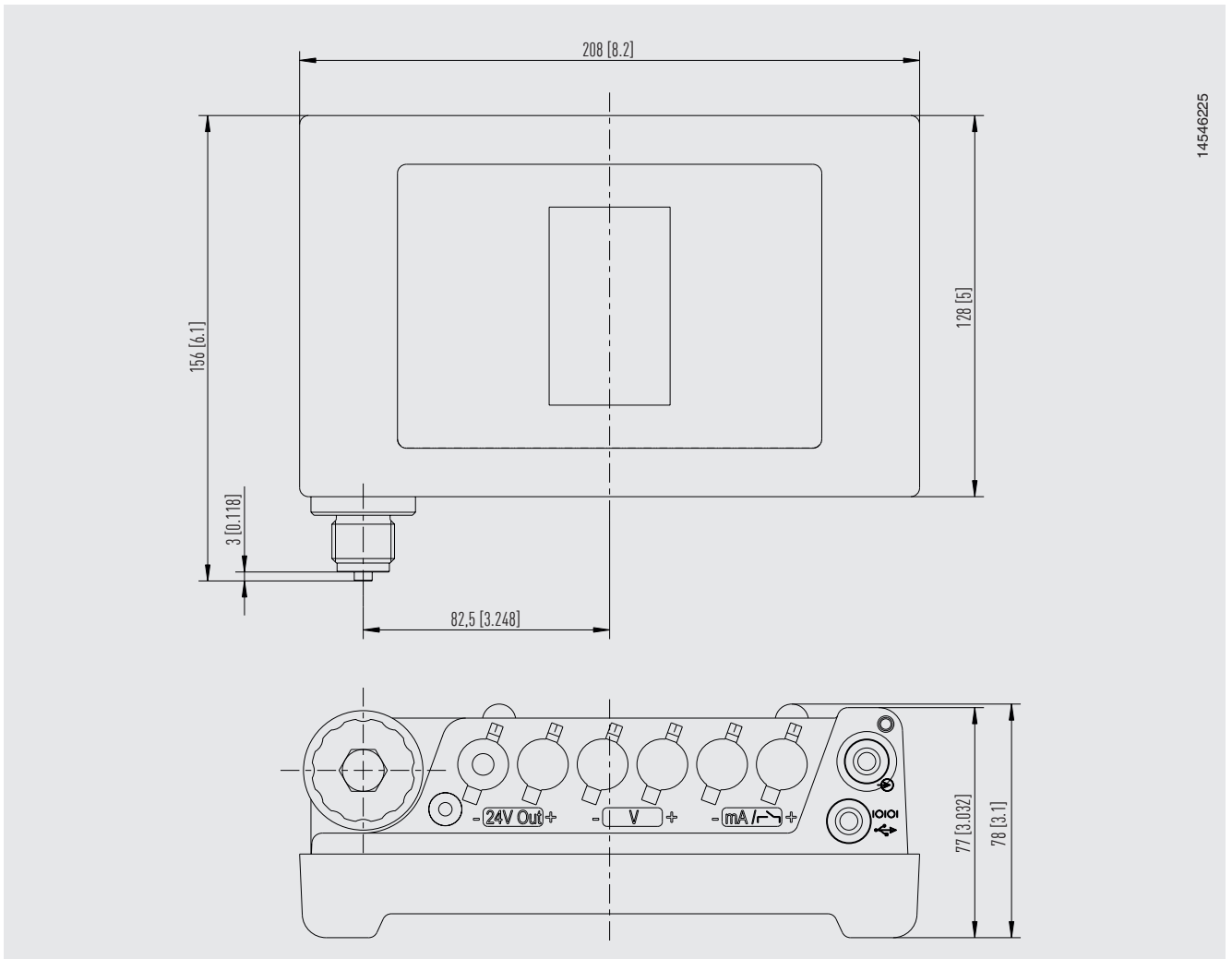
Conversion factor in relation to the unit bar	
bar	1.00000E+00
mbar	1.00000E-03
psi	6.89475E-02
Pa	1.00000E-05
kPa	1.00000E-02
hPa	1.00000E-03
MPa	1.00000E+01
kg/cm <sup>2</sup>	9.80665E-01
inHg (0 °C)	3.37690E-02
inH <sub>2</sub> O (60 °C)	2.48800E-03
mH <sub>2</sub> O (4 °C)	9.80670E-02
mmH <sub>2</sub> O (0 °C)	1.33322E-03
mmH <sub>2</sub> O (4 °C)	9.80670E-05
cmHg (0 °C)	1.33322E-02
cmH <sub>2</sub> O (4 °C)	9.80670E-04

EN

# 11. Specifications

## 10.9 Dimensions in mm [in]

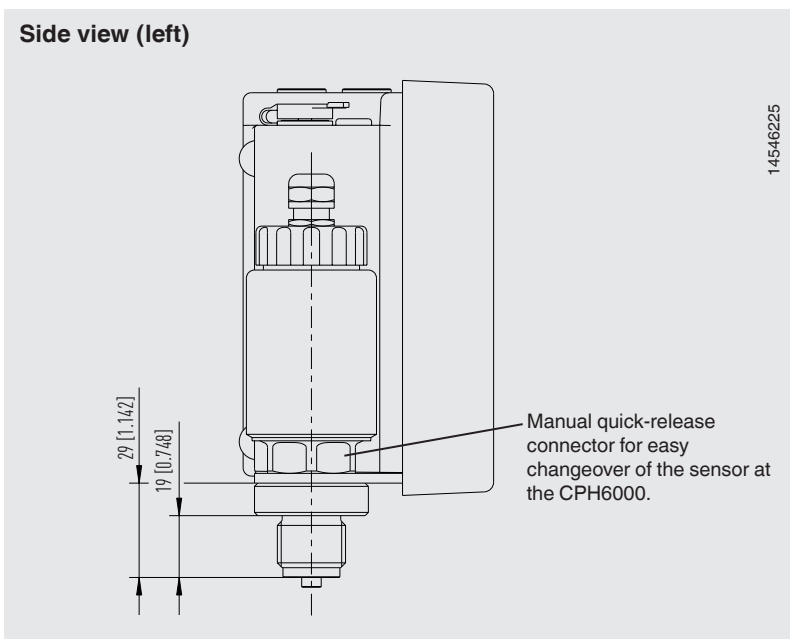
### 10.9.1 Digital indicator CPH6000



14546225

EN

### Side view (left)



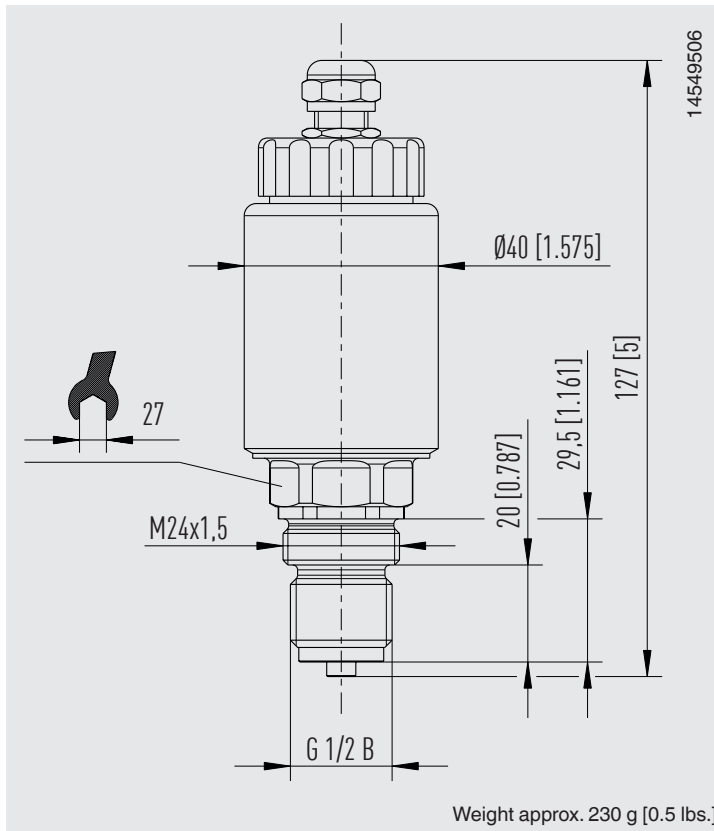
14546225

11069023.05 01/2023 EN/DE

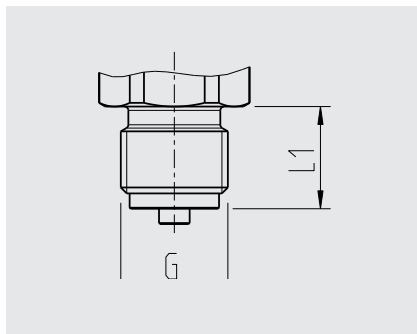
# 11. Specifications

## 10.9.2 Reference pressure sensor CPT6000

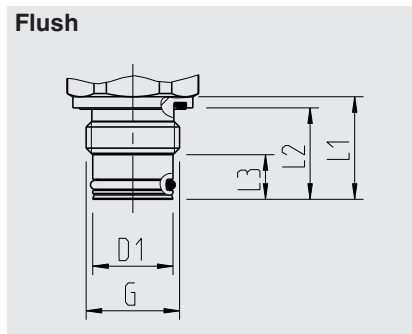
EN



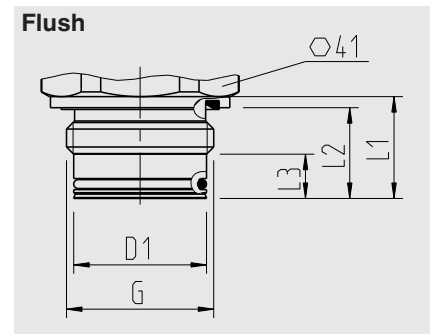
## 10.9.3 Process connections



G	L1
G ½ B	20 [0.79]
M16 x 1.5	20 [0.79]



G	L1	L2	L3	D1
G ½ B	23 [0.9]	20.5 [0.81]	10 [0.39]	18 [0.71]



G	L1	L2	L3	D1
G 1 B	23 [0.9]	20.5 [0.81]	10 [0.39]	30 [1.18]

→ For information on tapped holes and welding sockets, see Technical information IN 00.14 at [www.wika.com](http://www.wika.com).

## 12. Accessories


### 11. Accessories

Description		Order code
		CPH-A-60
	<b>Power supply unit</b> Meets the requirements of Euro standards, UK standards and US standards	-4-
	<b>Sealing set</b> Consisting of: ■ 4 x G 1/2 USIT seals ■ 2 x G 1/4 USIT seals ■ Plastic box	-D-
	<b>Test cable set (red and black)</b> Consisting of: ■ 2 pairs of measuring lines ■ 2 pairs of clamp connectors ■ 2 pairs of crocodile clips	-T-
	<b>Sensor connection cable</b> For model CPT6000 reference pressure sensor Length 1.1 m [3.61 ft]	-S-
	<b>RS-232 interface cable</b>	-R-
	<b>USB interface cable</b>	-U-
-	<b>IP54 version (protective caps)</b> Retrofitting of the caps only at WIKA	-I-
-	<b>Manual quick-release connector for pressure sensor</b>	-H-
-	<b>Carrying system</b> To hang the CPH6000 around your neck	-C-
	<b>Plastic case</b> <b>Variant 1</b> For 1 x hand-held, max. 5 x pressure sensors, accessories Dimensions: 340 x 275 x 83 mm [13.39 x 10.83 x 3.27 in]	-K-

EN

## 12. Accessories

EN

		Order code
Description		CPH-A-60
	<b>Transport case from aluminium</b> <b>Variant 2</b> For 1 x hand-held, max. 5 x pressure sensors, 1 x pneumatic hand test pump CPP7-H or CPP30, accessories Dimensions: 450 x 360 x 123 mm [17.72 x 13.78 x 4.84 in]	-L-
	<b>Variant 3</b> For 1 x hand-held, max. 5 x pressure sensors, 1 x hydraulic hand test pump CPP700-H/ CPP1000-H, accessories Dimensions: 450 x 360 x 140 mm [17.72 x 13.78 x 5.51 in]	-N-
	<b>Variant 4</b> For 1 x hand-held, max. 5 x pressure sensors, 1 x hydraulic hand spindle pump CPP1000-L, accessories Dimensions: 375 x 425 x 170 mm [14.76 x 16.73 x 6.69 in]	-M-
	<b>Ordering information for your enquiry:</b>	
1. Order code: CPH-A-60 2. Option:		↓ [ ]

For further accessories, see current WIKA price list: Calibration technology.



# Inhalt

<b>1. Allgemeines</b>	<b>60</b>
<b>2. Kurzübersicht</b>	<b>61</b>
2.1 Übersicht . . . . .	61
2.2 Beschreibung . . . . .	61
2.3 Lieferumfang . . . . .	61
<b>3. Sicherheit</b>	<b>62</b>
3.1 Symbolerklärung . . . . .	62
3.2 Bestimmungsgemäße Verwendung. . . . .	62
3.3 Fehlgebrauch . . . . .	63
3.4 Verantwortung des Betreibers . . . . .	64
3.5 Personalqualifikation. . . . .	64
3.6 Persönliche Schutzausrüstung . . . . .	65
3.7 Beschilderung, Sicherheitskennzeichnungen . . . . .	65
3.7.1 Typenschild (Beispiel). . . . .	65
3.7.2 Symbole . . . . .	65
<b>4. Aufbau und Funktion</b>	<b>66</b>
4.1 Bedienoberfläche. . . . .	66
4.2 Elektrische Anschlüsse . . . . .	68
4.2.1 Spannungsversorgung . . . . .	69
4.2.2 Netzteil . . . . .	69
4.3 Lithium-Ionen-Akku . . . . .	70
4.4 Schnittstelle. . . . .	71
4.5 Referenzdrucksensor Typ CPT6000 . . . . .	71
4.5.1 Mechanischer Anschluss. . . . .	71
4.5.2 Elektrischer Anschluss . . . . .	72
<b>5. Transport, Verpackung und Lagerung</b>	<b>73</b>
5.1 Transport. . . . .	73
5.2 Verpackung und Lagerung. . . . .	73
<b>6. Inbetriebnahme, Betrieb</b>	<b>74</b>
6.1 Druckkalibrator ein- und ausschalten . . . . .	74
6.1.1 Druckkalibrator einschalten . . . . .	74
6.1.2 Druckkalibrator ausschalten . . . . .	75
6.2 Sensoranschluss und Sensorwechsel. . . . .	76
6.2.1 Mechanischer Anschluss eines CPT6000 . . . . .	76
6.2.2 Elektrischer Anschluss eines CPT6000 . . . . .	76
6.2.3 Elektrischer Anschluss eines potentialfreien Druckschalters . . . . .	77

DE

11069023.05 01/2023 EN/DE

6.2.4	Elektrischer Anschluss eines 2-Leiter-Prüflings . . . . .	77
6.2.5	Elektrischer Anschluss eines 3-Leiter-Prüflings . . . . .	78
6.3	Prüfaufbau . . . . .	80
6.4	Druckmessung. . . . .	81
6.5	Nullpunkteinstellung vom Relativdrucksensoren . . . . .	81
6.6	Offsetkorrektur von Absolutdrucksensoren . . . . .	81
6.7	Setup-Menü . . . . .	82
6.7.1	Displayanzeige: Einheiten und Auflösung . . . . .	84
6.8	Arbeitsmodi. . . . .	84
6.8.1	Modus MESSEN . . . . .	84
6.8.2	Modus KALIBRIEREN . . . . .	86
6.8.2.1	Kalibrierung konfigurieren. . . . .	86
6.8.2.2	Kalibrierung eines Druckmessumformers oder Manometers. . . . .	90
6.8.3	Modus SCHALTERTEST . . . . .	91
6.9	Setup-Zusatzmenü . . . . .	92
6.9.1	Funktionen. . . . .	92
6.9.2	CPH-Info . . . . .	93
6.9.3	Referenzsensor . . . . .	93
6.9.4	Ref.-Sensorliste . . . . .	94
6.9.5	CPH-Einstellungen . . . . .	94
6.9.6	Schnittstelle . . . . .	95
6.9.7	CLEAR KalProg . . . . .	95
6.10	Arbeiten mit der WIKA-Cal. . . . .	95
<b>7.</b>	<b>Störungen</b>	<b>96</b>
<b>8.</b>	<b>Wartung, Reinigung und Rekalibrierung</b>	<b>97</b>
8.1	Wartung . . . . .	97
8.2	Reinigung . . . . .	97
8.3	Rekalibrierung . . . . .	97
<b>9.</b>	<b>Demontage, Rücksendung und Entsorgung</b>	<b>98</b>
9.1	Demontage . . . . .	98
9.2	Rücksendung . . . . .	98
9.3	Entsorgung . . . . .	99
<b>10.</b>	<b>Technische Daten</b>	<b>99</b>
10.1	Basisinformationen - Gesamte Messkette . . . . .	99
10.2	Technische Daten zu digitales Anzeigegerät Typ CPH6000 . . . . .	100
10.3	Technische Daten zu Referenzdrucksensor Typ CPT6000 . . . . .	102
10.4	Netzteil . . . . .	104
10.5	Prüfkabel . . . . .	104
10.6	Zulassungen . . . . .	105

10.7	Zertifikate/Zeugnisse . . . . .	105
10.8	Verfügbarer Druckbereich und Auflösung. . . . .	106
10.9	Abmessungen in mm [in] . . . . .	107
10.9.1	Digitales Anzeigegerät CPH6000 . . . . .	107
10.9.2	Referenzdrucksensor CPT6000 . . . . .	108
10.9.3	Prozessanschlüsse . . . . .	108
<b>11.</b>	<b>Zubehör</b>	<b>109</b>

---

Konformitätserklärungen finden Sie online unter [www.wika.de](http://www.wika.de).

## 1. Allgemeines

- Der in der Betriebsanleitung beschriebene Druckkalibrator Typ CPH6000 nach dem aktuellen Stand der Technik gefertigt. Alle Komponenten unterliegen während der Fertigung strengen Qualitäts- und Umweltkriterien. Unsere Managementsysteme sind nach ISO 9001 und ISO 14001 zertifiziert.
- Diese Betriebsanleitung gibt wichtige Hinweise zum Umgang mit dem Gerät. Voraussetzung für sicheres Arbeiten ist die Einhaltung aller angegebenen Sicherheitshinweise und Handlungsanweisungen.
- Die für den Einsatzbereich des Gerätes geltenden örtlichen Unfallverhütungsvorschriften und allgemeinen Sicherheitsbestimmungen einhalten.
- Die Betriebsanleitung ist Produktbestandteil und muss in unmittelbarer Nähe des Gerätes für das Fachpersonal jederzeit zugänglich aufbewahrt werden. Betriebsanleitung an nachfolgende Benutzer oder Besitzer des Gerätes weitergeben.
- Das Fachpersonal muss die Betriebsanleitung vor Beginn aller Arbeiten sorgfältig durchgelesen und verstanden haben.
- Es gelten die allgemeinen Geschäftsbedingungen in den Verkaufsunterlagen.
- Technische Änderungen vorbehalten.
- Werkskalibrierungen / DAkkS-Kalibrierungen erfolgen nach internationalen Normen.
- Weitere Informationen:
  - Internet-Adresse: [www.wika.de](http://www.wika.de) / [www.wika.com](http://www.wika.com)
  - Zugehöriges Datenblatt: CT 15.01
  - Anwendungsberater: Tel.: +49 9372 132-0  
[info@wika.de](mailto:info@wika.de)

### Abkürzungen, Definitionen

2-Leiter	Die zwei Anschlussleitungen dienen zur Spannungsversorgung. Der Speisestrom ist das Messsignal.
3-Leiter	Zwei Anschlussleitungen dienen zur Spannungsversorgung. Eine Anschlussleitung dient für das Messsignal.
UB	Positiver Versorgungsanschluss
S+	Positiver Messanschluss
■	Aufzählungssymbol
▶	Handlungsanweisung
1. ... x.	Handlungsanweisung Schritt für Schritt durchführen
⇒	Ergebnis einer Handlungsanweisung
→	Siehe ... Querverweise

## 2. Kurzübersicht

### 2. Kurzübersicht

#### 2.1 Übersicht



DE

- ① Referenzdrucksensor Typ CPT6000
- ② Elektrische Anschlüsse
- ③ Anschluss Netzteil und Schnittstelle
- ④ Display mit Nummernblock und Navigationsfeldern

#### 2.2 Beschreibung

Der kompakte und tragbare Druckkalibrator Typ CPH6000 dient als Kalibriergerät für unterschiedlichste Druckmessgeräte und Schalter. Er wurde sowohl für den mobilen Einsatz als auch für stationäre Werkstatt- und Laborprüfungen entwickelt.

Der Druckkalibrator ermöglicht eine vollständig papierlose Kalibrierung vor Ort über einen Drucksensor. Zur Auswertung bzw. Dokumentation der im CPH6000 gespeicherten Kalibrierdaten steht die Kalibriersoftware WIKA-Cal zur Verfügung. Das CPH6000 wird in Kombination mit dem Referenzdrucksensor CPT6000 betrieben, siehe Kapitel 4.5 „Referenzdrucksensor Typ CPT6000“.

#### 2.3 Lieferumfang

- Druckkalibrator Typ CPH6000
- Netzteil
- Prüfkabelset mit diversen Anschlussklemmen
- Kalibrierzertifikat
- Referenzdrucksensor
- Sensoranschlusskabel für Referenzsensor CPT6000
- Bestelltes Zubehör
- Betriebsanleitung

Lieferumfang mit dem Lieferschein abgleichen.

### 3. Sicherheit

#### 3.1 Symbolerklärung

**GEFAHR!**

... weist auf eine unmittelbar gefährliche Situation hin, die zum Tod oder zu schweren Verletzungen führt, wenn sie nicht gemieden wird.

**WARNUNG!**

... weist auf eine möglicherweise gefährliche Situation hin, die zum Tod oder zu schweren Verletzungen führen kann, wenn sie nicht gemieden wird.

**VORSICHT!**

... weist auf eine möglicherweise gefährliche Situation hin, die zu geringfügigen oder leichten Verletzungen bzw. Sach- und Umweltschäden führen kann, wenn sie nicht gemieden wird.

**GEFAHR!**

... kennzeichnet Gefährdungen durch elektrischen Strom. Bei Nichtbeachtung der Sicherheitshinweise besteht die Gefahr schwerer oder tödlicher Verletzungen.

**GEFAHR!**

... weist auf eine möglicherweise gefährliche Situation im explosionsgefährdeten Bereich hin, die zum Tod oder zu schweren Verletzungen führen kann, wenn sie nicht gemieden wird.

**Information**

... hebt nützliche Tipps und Empfehlungen sowie Informationen für einen effizienten und störungsfreien Betrieb hervor.

#### 3.2 Bestimmungsgemäße Verwendung

Der Druckkalibrator Typ CPH6000 vereint die Vorteile eines kompakten Hand-Held-Gerätes mit der umfangreichen Funktionalität eines Labor-Kalibriergerätes. Hierdurch gestalten sich alltägliche Aufgaben im Feld wie Messen, Prüfen oder Kalibrieren von Druckmessgeräten inkl. Zeugnisgenerierung und das Überprüfen von Druckschaltern besonders einfach.

Dieses Gerät ist nicht für den Einsatz in explosionsgefährdeten Bereichen zugelassen!

Das Gerät ist ausschließlich für den hier beschriebenen bestimmungsgemäßen Verwendungszweck konzipiert und konstruiert und darf nur dementsprechend verwendet werden.

Die technischen Spezifikationen in dieser Betriebsanleitung sind einzuhalten. Eine unsachgemäße Handhabung oder ein Betreiben des Gerätes außerhalb der technischen Spezifikationen macht die sofortige Stilllegung und Überprüfung durch einen autorisierten WIKA-Servicemitarbeiter erforderlich.

Vor Montage, Inbetriebnahme und Betrieb sicherstellen, dass der richtige Referenzdrucksensor hinsichtlich Messbereich, Ausführung und spezifischen Messbedingungen ausgewählt wurde.

Elektronische Präzisionsmessgeräte mit erforderlicher Sorgfalt behandeln (vor Nässe, Stößen, starken Magnetfeldern, statischer Elektrizität und extremen Temperaturen schützen, keine Gegenstände in das Gerät bzw. Öffnungen einführen). Stecker und Buchsen vor Verschmutzung schützen.

Ansprüche jeglicher Art aufgrund von nicht bestimmungsgemäßer Verwendung sind ausgeschlossen.

### 3.3 Fehlgebrauch

**GEFAHR!****Lebensgefahr durch Explosion!**

Durch unsachgemäße Verwendung mit dem Druckkalibrator besteht Explosionsgefahr, die zu schweren Verletzungen oder zum Tod führen kann, da der fest eingebaute Lithium-Ionen-Akku explodieren kann.

- ▶ Den Druckkalibrator weder verbrennen noch erhitzen.
- ▶ Den Druckkalibrator nicht in der Nähe von Feuer, Öfen oder anderen Orten mit hohen Temperaturen aufbewahren.
- ▶ Den Druckkalibrator nicht in Mikrowellenherden, Hochdruck-Containern oder Induktionsherden platzieren.
- ▶ Den Druckkalibrator nicht in luftdicht abgeschlossene Geräte einsetzen. In einigen Fällen könnte Wasserstoff oder Sauerstoff von der Zelle freigesetzt werden und so zur Beschädigung des Lithium-Ionen-Akkus, und zu Feuer oder Explosion führen.
- ▶ Der Druckkalibrator darf nicht in direktem Sonnenlicht liegen und bei heißem Wetter in Autos weder verwendet noch aufbewahrt werden. In diesem Fall könnte der Lithium-Ionen-Akku Hitze erzeugen, explodieren oder sich entzünden. Außerdem könnte dabei auch die Leistung und Lebensdauer des Lithium-Ionen-Akkus sinken.
- ▶ Den Lithium-Ionen-Akku im Druckkalibrator weder auseinanderbauen noch verändern. Er ist mit Sicherheits- und Schutzvorrichtungen ausgestattet, die bei Beschädigung dazu führt, dass dieser Hitze erzeugt, explodiert oder sich entzündet.

**GEFAHR!****Körperverletzung, Sach- und Umweltschäden durch Fehlgebrauch des Druckkalibrators!**

Durch Fehlgebrauch mit dem Druckkalibrator besteht unmittelbare Lebensgefahr.

- ▶ Den Druckkalibrator nicht mit Wasser oder mit Salzwasser in Berührung bringen. Er darf nicht nass werden. Dies kann zur Zerstörung der Sicherheitsbeschaltung, Hitzeentwicklung, Entzündung, Bildung von Knallgas oder Korrosion und Elektrolytaustritt führen.
- ▶ Die Verwendung falscher, nicht passender Netzteile können zur Übererwärmung, Feuer und Zerstörung der Akkus führen.
- ▶ Den Druckkalibrator nicht mit Nägeln durchstoßen noch mit einem Hammer schlagen.
- ▶ Nicht auf den Druckkalibrator treten oder anderen starken Stößen und Erschütterungen aussetzen.

**WARNUNG!****Verletzungen durch Fehlgebrauch**

Fehlgebrauch des Gerätes kann zu gefährlichen Situationen und Verletzungen führen.

- ▶ Eigenmächtige Umbauten am Gerät unterlassen.
- ▶ Gerät nicht in explosionsgefährdeten Bereichen einsetzen.
- ▶ Betriebsparameter gemäß Kapitel 10 „Technische Daten“ beachten.

Zur Vermeidung von Verletzungen oder Sachschäden weitere Punkte beachten:

**Druckkalibrator**

- Das Gerät nicht in beschädigtem Zustand verwenden. Vor dem Verwenden des Gerätes prüfen, ob das Gehäuse Risse oder fehlende Kunststoffteile aufweist. Besonders auf die Isolierung der Stecker achten.
- Um eine mögliche Schädigung des Gerätes oder der Testeinrichtung zu vermeiden, immer die richtigen Anschlusskabel, die richtige Funktion und den richtigen Bereich für die Messanwendung verwenden.
- Das Gerät nicht verwenden, wenn es nicht normal funktioniert. Der Geräteschutz kann beeinträchtigt sein. Im Zweifelsfall das Gerät überprüfen lassen.
- Nur das von WIKA definierte und freigegebene Zubehör verwenden.
- Die Displayfrontscheibe besteht aus Glas. Ist ein Zerbrechen der Scheibe während der Benutzung nicht vollständig auszu-schließen, müssen alle Personen in der näheren Umgebung des Gerätes, vor und während der Benutzung eine Schutzbrille tragen.

### Referenzdrucksensoren

- Referenzdrucksensoren immer innerhalb der Überdruckgrenze betreiben.
- Referenzdrucksensoren nur im drucklosen Zustand montieren bzw. demontieren.
- Nur Referenzdrucksensoren Typ CPT6000 verwenden! Mit anderen Sensoren kann es zur Zerstörung des Druckkalibrators und/oder des Referenzdrucksensors kommen.
- Wird der Referenzdrucksensor bei Applikationen mit Druckmedium Öl verwendet, so ist ein anschließender Einsatz bei Brennstoffen oder Gasen auszuschließen, da dies zu gefährlichen Explosionen und Gefahr für Mensch und Maschine führen kann.

### Prüfleitungen und Prüfspitzen

- Nur das von WIKA für den Druckkalibrator erhältliche Prüfkabelset verwenden. Keine Kabel, die länger als 3 m [9,84 in] sind, an das CPH6000 anschließen.
- Konzipieren Sie die Beschaltung beim Anschluss an andere Geräte besonders sorgfältig. Unter Umständen können interne Verbindungen in Fremdgeräten (z. B. Verbindung GND mit Erde) zu nicht erlaubten Spannungspotentialen führen, die das Gerät selbst oder ein angeschlossenes Gerät in seiner Funktion beeinträchtigen oder sogar zerstören können.
- Darauf achten, dass die Prüfspitzen nie mit einer Spannungsquelle in Kontakt kommen, wenn die Prüfkabel an die Stromklemmen angeschlossen sind.
- Die Prüfleitungen auf eine beschädigte Isolierung oder blankes Metall prüfen. Die Durchgängigkeit der Kabel prüfen. Beschädigte Prüfleitungen austauschen bevor das Gerät verwendet wird.
- Bei Verwendung von Prüfspitzen die Finger von den Prüfspitzkontakten fernhalten. Die Finger hinter dem Fingerschutz an den Prüfspitzen anlegen.
- Zuerst den Neutralleiter anschließen und danach den spannungsführenden Leiter. Beim Abnehmen zuerst die spannungsführende Prüfleitungen abnehmen.
- Die Prüfleitungen lösen, bevor in eine andere Mess- oder Quellfunktion gewechselt wird.

### Messbetrieb

- Keinen externen Druck auf den CPH6000 beaufschlagen.
- Als Medium für das CPH6000 und den CPT6000 ausschließlich trockene und saubere Luft verwenden.
- Für die Messung die richtige Funktion und den richtigen Messbereich auswählen.
- Referenzdrucksensoren immer innerhalb des definierten Druckbereiches betreiben.
- An den Referenzdrucksensoren können im Fehlerfall aggressive Medien unter hohem Druck oder Vakuum anliegen.
- Das Messsignal der Referenz (bzw. des Prüflings) kann durch massive elektromagnetische Einstrahlung beeinflusst werden bzw. die Anzeige des Signals ganz ausbleiben.

Jede über die bestimmungsgemäße Verwendung hinausgehende oder andersartige Benutzung gilt als Fehlgebrauch.

### 3.4 Verantwortung des Betreibers

Das Gerät wird im gewerblichen Bereich eingesetzt. Der Betreiber unterliegt daher den gesetzlichen Pflichten zur Arbeitssicherheit.

Die Sicherheitshinweise dieser Betriebsanleitung, sowie die für den Einsatzbereich des Gerätes gültigen Sicherheits-, Unfallverhütungs- und Umweltschutzvorschriften einhalten.

### 3.5 Personalqualifikation



#### **WARNUNG!**

#### **Verletzungsgefahr bei unzureichender Qualifikation**

Unsachgemäßer Umgang kann zu erheblichen Personen- und Sachschäden führen.

- ▶ Die in dieser Betriebsanleitung beschriebenen Tätigkeiten nur durch Fachpersonal nachfolgend beschriebener Qualifikation durchführen lassen.

#### **Fachpersonal**

Das vom Betreiber autorisierte Fachpersonal ist aufgrund seiner fachlichen Ausbildung, seiner Kenntnisse der Mess- und Regelungstechnik und seiner Erfahrungen sowie Kenntnis der landesspezifischen Vorschriften, geltenden Normen und Richtlinien in der Lage, die beschriebenen Arbeiten auszuführen und mögliche Gefahren selbstständig zu erkennen.

Spezielle Einsatzbedingungen verlangen weiteres entsprechendes Wissen, z. B. über aggressive Messstoffe.



## 3. Sicherheit

### 3.6 Persönliche Schutzausrüstung

Die persönliche Schutzausrüstung dient dazu, das Fachpersonal gegen Gefahren zu schützen, die dessen Sicherheit oder Gesundheit bei der Arbeit beeinträchtigen könnten. Beim Ausführen der verschiedenen Arbeiten an und mit dem Gerät muss das Fachpersonal persönliche Schutzausrüstung tragen.

#### Im Arbeitsbereich angebrachte Hinweise zur persönlichen Schutzausrüstung befolgen!

Die erforderliche persönliche Schutzausrüstung muss vom Betreiber zur Verfügung gestellt werden.



#### Schutzbrille tragen!

Schutz der Augen vor umherfliegenden Teilen und Flüssigkeitsspritzern.

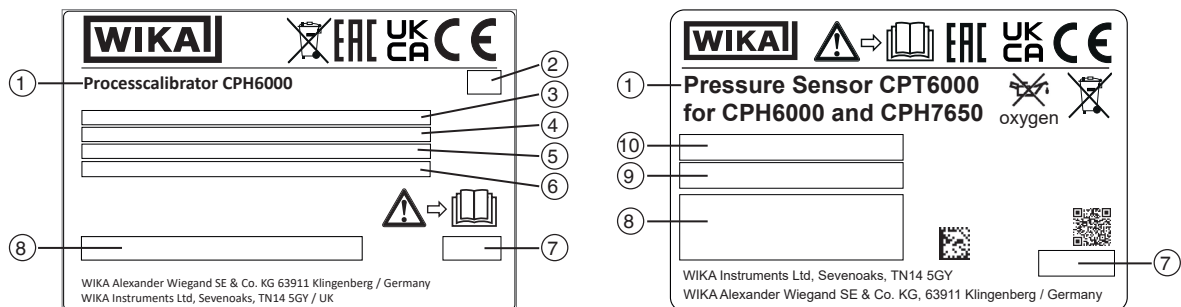
### 3.7 Beschilderung, Sicherheitskennzeichnungen

Der Betreiber ist verpflichtet das Typenschild lesbar zu halten.

#### 3.7.1 Typenschild (Beispiel)

#### Druckkalibrator, Typ CPH6000 und Drucksensor, Typ CPT6000

Das Typenschild befindet sich auf der Rückseite des Gerätes.



- |                            |                                  |
|----------------------------|----------------------------------|
| ① Produktname              | ⑥ Zulässige Betriebstemperatur   |
| ② Geräteversion            | ⑦ Herstellungsdatum (Monat/Jahr) |
| ③ Eingangsstrom/-spannung  | ⑧ Serien- und Produktionsnummer  |
| ④ Ausgangsspannung/ -strom | ⑨ Genauigkeit                    |
| ⑤ Schnittstelle            | ⑩ Druckbereich                   |

#### 3.7.2 Symbole



Vor Montage und Inbetriebnahme des Gerätes unbedingt die Betriebsanleitung lesen!



Nicht mit dem Hausmüll entsorgen. Für eine geordnete Entsorgung gemäß nationaler Vorgaben sorgen.

## 4. Aufbau und Funktion

### 4. Aufbau und Funktion

Beim CPH6000 handelt es sich um ein Multi-Kalibriergerät für Druckgeräte und Schalter.

Die Bedienung des CPH6000 erfolgt über ein sehr übersichtlich gestaltetes Display und Bedienfeld. Durch den fest verbauten Akku ist der CPH6000 für den täglichen Einsatz im Feld geeignet.

Am oberen Ende des CPH6000 befinden sich die elektrischen Anschlüsse zum Messen elektrischer Strom- und Spannungssignale, zum Anschließen des Schnittstellenkabels und des Netzteiles.

DE

#### 4.1 Bedienoberfläche

Die Bedienung des Druckkalibrators CPH6000 erfolgt über ein übersichtlich gestaltetes Display und Bedienfeld.



Pos.	Taste	Bedeutung
①	SETUP	SETUP-Menü aufrufen Taste [SETUP] drücken
②	SELECT (mit Pfeilen)	Auswahl und Eingabe aktivieren Parameterauswahl aus Liste bzw. Menü mit den Tasten [◀] oder [▶] Aktuelle Cursorposition; Wechsel mit den Tasten [▲] oder [▼]  Aufrufen und Bestätigen der Untermenüpunkte durch die Taste [SELECT]
③	BACK	Einen Schritt zurück Taste [BACK] drücken
④	CLEAR	Löschen der Eingabe Taste [CLEAR] drücken
⑤	ENTER	Eingabe-Quittierung Taste [ENTER] drücken
⑥	○ ○ ○ ○ ○ ○ ○ ○ ○	Numerischer Eingabeblock Parametereingabe mittels numerischem Eingabeblock

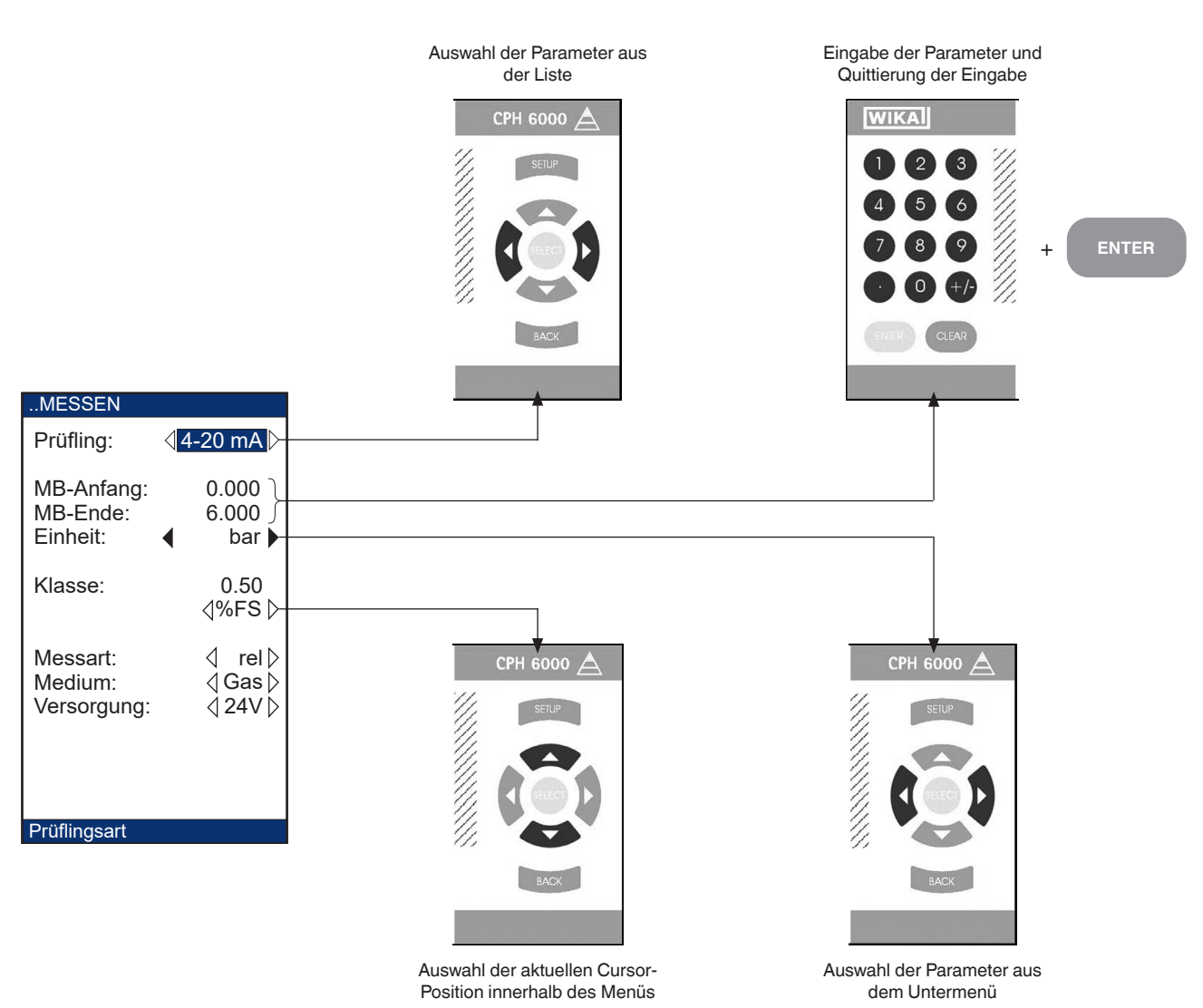
- ▶ Einschalten durch Betätigen einer beliebigen Taste.
- ▶ Ausschalten durch Menüpunkt im Hauptmenü (siehe Kapitel 6.1.2 „Druckkalibrator ausschalten“).

# 4. Aufbau und Funktion

## Weitere Definitionen

- [XXX] Taste XXX drücken
- XXX Menü XXX wird angezeigt

## Allgemeine Bedienhinweise bezüglich einer Konfiguration der Arbeitsmodi

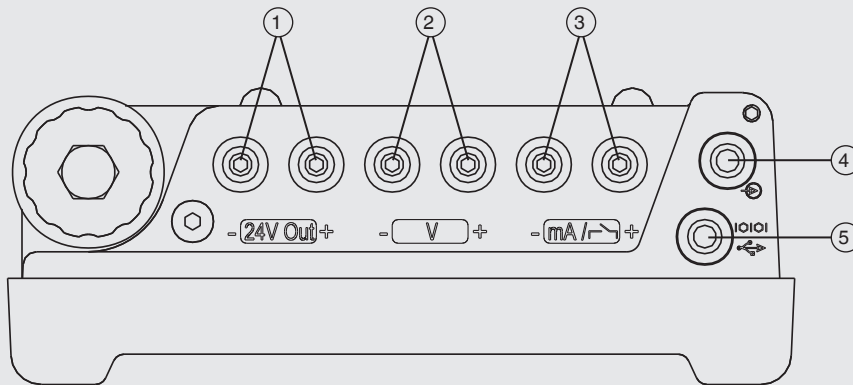


DE

## 4. Aufbau und Funktion

### 4.2 Elektrische Anschlüsse

#### Ansicht von oben



- 1) Spannungsversorgung DC 24 V (50 mA) (via Menü aktivierbar) <sup>1)</sup>
- 2) Messeingang Spannung (max. DC 0 ... 12 V) <sup>1)</sup>
- 3) Messeingang Strom bzw. Schaltertest (max. 24 mA) <sup>1)</sup>
- 4) Netzanschluss-/Ladebuchse oder Anschluss Netzteil
- 5) Anschluss zur USB/RS-232-Schnittstelle

1) Anschlüsse: 4-mm-Laborbuchsen



#### WARNUNG!

##### Körperverletzung, Sach- und Umweltschäden durch Stromschlag!

Durch unsachgemäße Handhabung kann es zu gefährlichen Situationen und zu Verletzungen führen, da an den Komponenten Spannungen anliegen können.

- ▶ An allen elektrischen Anschlussbuchsen nur Original-WIKA-Komponenten anschließen.
- ▶ Nur das mitgelieferte Netzteil verwenden!
- ▶ Nur die mitgelieferten Prüfkabel verwenden!
- ▶ Nur das mitgelieferte Schnittstellenkabel verwenden!
- ▶ Alle elektrischen Verbindungen im ausgeschalteten Zustand des Druckkalibrators herstellen bzw. trennen.
- ▶ Sicherstellen, dass die am Netzteil angegebene Betriebsspannung mit der örtlichen Netzspannung übereinstimmt.
- ▶ Die Messeingänge nicht elektrisch überlasten (siehe 10 „Technische Daten“).
- ▶ Bei vorhandener Eigenversorgung des Prüflings die interne Spannungsversorgung DC 24 V via Menü ausschalten.
- ▶ Beim Anschließen auf die richtige Polung +/- der elektrischen Anschlüsse achten!

Ist der Druckkalibrator für ein Einlesen von Prüflingen mit Spannungsausgang z. B. DC 0 ... 1 V / DC 0 ... 2 V / DC 0 ... 5 V / DC 0 ... 10 V eingestellt und kein Prüfling am Messeingang (Spannung) angeschlossen, so wird im Display ein Wert ungleich Null für den Prüfling angezeigt.

Dies ist kein Fehler, sondern basiert auf den elektrischen Aufbau des Messeinganges.

- ▶ Die interne Spannungsversorgung von DC 24 V nicht kurzschließen bzw. den max. Ausgangsstrom von 50 mA durch die Beschaltung nicht überschreiten.
- ▶ Die 20 mA nicht unterschritten, um eine korrekte Strommessung sicher zu stellen.

## 4. Aufbau und Funktion

DE

### 4.2.1 Spannungsversorgung



#### WARNUNG!

##### Verletzungen durch Fehlgebrauch

Fehlgebrauch des Gerätes kann zu gefährlichen Situationen und Verletzungen führen.

- ▶ Nur das mitgelieferten Netzteil verwenden.
- ▶ Nur für den Gebrauch an einem trockenen Ort und innerhalb von Gebäuden.
- ▶ Nur in einer Höhe von max. 2.000 m [6.652 ft] einsetzbar.

Die Spannungsversorgung des Druckkalibrators erfolgt über den fest integrierten Lithium-Ionen-Akku, der mit dem im Lieferumfang befindlichen Netzteil aufgeladen werden kann.

- ▶ Der Netzstecker des Netzteiles zum Laden der CPH6000-Akkus muss über eine frei zugängliche Netzsteckdose geladen werden, damit im Bedarfsfall der Netzstecker jederzeit gezogen werden kann.

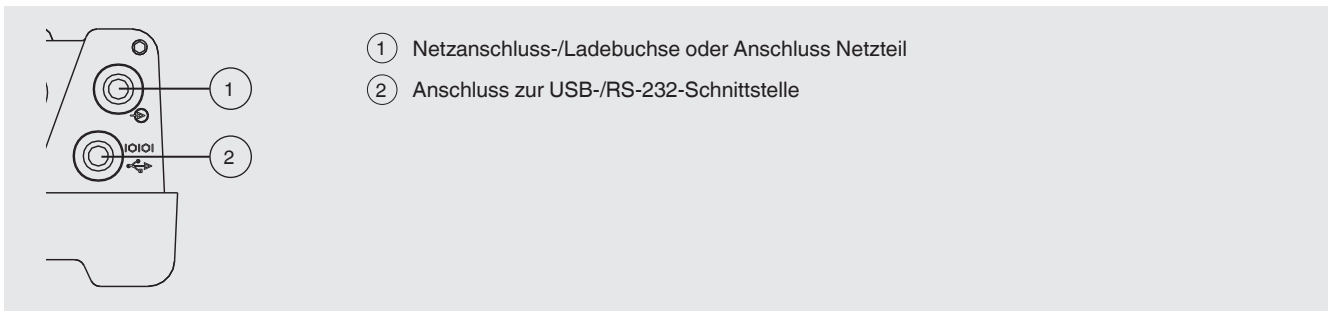
Das Gerät wird mit einem Akkuladestatus von 25 ... 50 % ausgeliefert und sollte vor dem Arbeitseinsatz zuerst einmal vollständig geladen werden.

Der Status der **Akkukapazität** (Ladestatus in %) wird kurz nach dem Einschalten des Gerätes angezeigt bzw. kann im **SETUP**-Zusatzmenüpunkt: **CPH-Einstellungen** (siehe Kapitel 6.9.5 „CPH-Einstellungen“) in Erfahrung gebracht werden.

- ▶ Um falsche Messungen zu vermeiden, den Akku laden, sobald die Batterieanzeige erscheint. Im Display erscheint die Meldung „**low BAT**“. Wenn sich der Akku zu sehr entladen hat, schaltet sich das Gerät automatisch aus.

### 4.2.2 Netzteil

Der Anschluss des Netzteiles erfolgt über die Anschlussbuchse auf der rechten Seite am oberen Ende des CPH6000 (siehe nachfolgende Abbildung).



#### GEFAHR!

##### Lebensgefahr durch elektrischen Strom

Bei Berührung mit spannungsführenden Teilen besteht unmittelbare Lebensgefahr.

- ▶ Nur das mitgelieferte Netzteil von WIKA verwenden!
- ▶ Nur einwandfrei funktionierendes oder unbeschädigtes Netzteil verwenden.
  - ⇒ Bei sichtbaren Schäden am Gehäuse oder am Kabel das Netzteil nicht benutzen!
  - ⇒ Beim Ladevorgang mit einem defekten Netzteil (z. B. Kurzschluss von Netzspannung zur Ausgangsspannung) können am Gerät lebensgefährliche Spannungen auftreten!
- ▶ Das Netzteil niemals an den folgenden Stellen anbringen oder aufbewahren, da es hier zu Betriebsschäden kommen kann:
  - Stellen, die stark Feuchte bzw. Kondenswasser ausgesetzt sind
  - Im Freien
- ▶ Die Sicherheitswarnungen und Anleitungen auf dem Leistungsschild des Wechselstromadapters beachten.

#### Einsatz

- Das Netzteil ist wartungsfrei. Es darf nicht geöffnet werden (Gefahr eines elektrischen Schlages).
- Das Netzteil vom Netz trennen wenn es länger nicht benutzt wird.

## 4. Aufbau und Funktion

### Zulässige Bedingungen am Einsatzort

Netzteil	
Betriebstemperaturbereich	0 ... 45 °C [32 ... +113 °F]
Relative Feuchte	5 ... 95 % r. F. (keine Betauung)

### Reinigung

- Vor dem Reinigen das Netzteil vom Netz trennen.
- Nicht mit chemischen Reinigungsmitteln säubern.
- Nur mit einem trockenen Tuch abwischen.

### 4.3 Lithium-Ionen-Akku

Der Lithium-Ionen-Akku ist im Druckkalibrator Typ CPH6000 fest eingebaut. Die Akkulebensdauer beträgt bis zu 20 Stunden bei Dauerbetrieb (ohne Hintergrundbeleuchtung). Das Aufladen des Akkus erfolgt nur mit dem im Lieferumfang beiliegenden Netzteil.



#### GEFAHR!

#### Körperverletzung, Sach- und Umweltschäden durch falsche Handhabung des Lithium-Ionen-Akkus!

Durch unsachgemäßes Handhabung des Lithium-Ionen-Akkus kann es unmittelbar zu gefährlichen Situationen und zu schweren Verletzungen führen, da der fest eingebaute Akku explodieren, sich erhitzen oder entzünden kann.

- ▶ Nur das mitgelieferte Netzteil verwenden!
- ▶ Den Lithium-Ionen-Akku des Druckkalibrator weder direkt an eine Steckdose noch an den Zigarettenanzünder eines Autos anschließen.
- ▶ Den Lithium-Ionen-Akku nicht weiter aufladen, falls dieser nicht innerhalb der vorgegebenen Zeit vollständig aufgeladen ist.
- ▶ Der Lithium-Ionen-Akku weder auseinanderbauen noch verändern. Er ist mit Sicherheits- und Schutzeinrichtungen ausgestattet, die bei Beschädigung dazu führt, dass dieser Hitze erzeugt, explodiert oder sich entzündet.



#### WARNUNG!

#### Verletzungen oder Sachschäden durch defekten Akku

Ein defekter Akku kann zu gefährlichen Situationen und Verletzungen führen.

- ▶ Falls der Lithium-Ionen-Akku undicht ist und die Flüssigkeit mit den Augen in Berührung kommen sollte, auf keinen Fall die Augen reiben. Die Augen gut mit Wasser ausspülen und unverzüglich einen Arzt aufsuchen. Sollten die Augen nicht behandelt werden, können Verletzungen davon getragen werden.



Sollte der Akku im Druckkalibrator nicht mehr funktionieren bitte WIKA kontaktieren. Auf keinen Fall das Gerät öffnen. Weitere Informationen hierzu siehe auch Kapitel 9.2 „Rücksendung“.

Kontaktdaten siehe Kapitel 1 „Allgemeines“ oder Rückseite der Betriebsanleitung.

### Laden des Lithium-Ionen-Akkus

Wenn der Lithium-Ionen-Akku heiß wird, wird die eingebaute Sicherheits- und Schutzeinrichtung aktiviert und verhindert ein Überladen. Das Erhitzen des Lithium-Ionen-Akkus kann aber auch die Sicherheits- und Schutzeinrichtung zerstören und dazu führen, dass dieser sich weiter erhitzt, kaputt geht oder sich entzündet.



Ist das Netzteil am CPH6000 angeschlossen, so wird der Lithium-Ionen-Akku auch im ausgeschalteten Zustand des CPH6000 geladen.

Die typische Ladezeit des Akkus beträgt < 6 Stunden.

- Der Temperaturbereich, in dem der Lithium-Ionen-Akku geladen werden kann beträgt 0 ... 45 °C [32 ... 113 °F]. Temperaturen außerhalb der angegebenen Spezifikationen führen beim Ladevorgang zur Erhitzung oder Zerstörung des Akkus. Außerdem kann dabei die Leistung beeinträchtigt und die Lebensdauer reduziert werden.

## 4. Aufbau und Funktion

- Extreme Temperaturen haben einen nachteiligen Einfluss auf das Laden des Akkus. Deshalb kann zunächst ein Abkühlen oder Aufwärmen erforderlich sein.
- Wenn das Netzteil nicht mehr verwendet wird, Netzstecker aus der Steckdose ziehen.
- Den Akku nicht länger als einen Tag am Netzteil angeschlossen lassen, da eine zu starke Aufladung seine Lebensdauer verkürzen kann.
- Sollte der Akku nach 24 Stunden (im Netzbetrieb) nicht vollständig geladen sein, den Hersteller kontaktieren.
- Bei Nichtgebrauch entlädt sich ein geladener Akku mit der Zeit.
- Wenn der Akku beinahe vollständig entladen ist, erscheint im Display der Hinweis „low BAT“. Bei 0 % Akkukapazität schaltet sich das Gerät automatisch ab und muss mit dem Netzteil wieder geladen werden. Während der Ladezeit ist der Betrieb des Gerätes (im Netzbetrieb) nicht möglich.

DE

### 4.4 Schnittstelle

Der Druckkalibrator CPH6000 kann mittels Schnittstelle (USB oder RS-232) über einen PC gesteuert und die Kalibrierdaten mit der Software WIKA-Cal abgerufen werden. Die Kabel sind im Zubehör zu finden, siehe Kapitel 11 „Zubehör“. Weitere Informationen zur Einstellung der Schnittstellen siehe Kapitel 6.9.6 „Schnittstelle“.

### 4.5 Referenzdrucksensor Typ CPT6000

Für den Druckkalibrator Typ CPH6000 stehen eine Vielzahl von Referenzdrucksensoren mit Messbereichen von 250 mbar bis zu 6.000 bar und mit einer Genauigkeit von 0,025 % bis zu 0,1 % zur Auswahl, die schnell und ohne Werkzeug am Gerät ausgetauscht werden können.

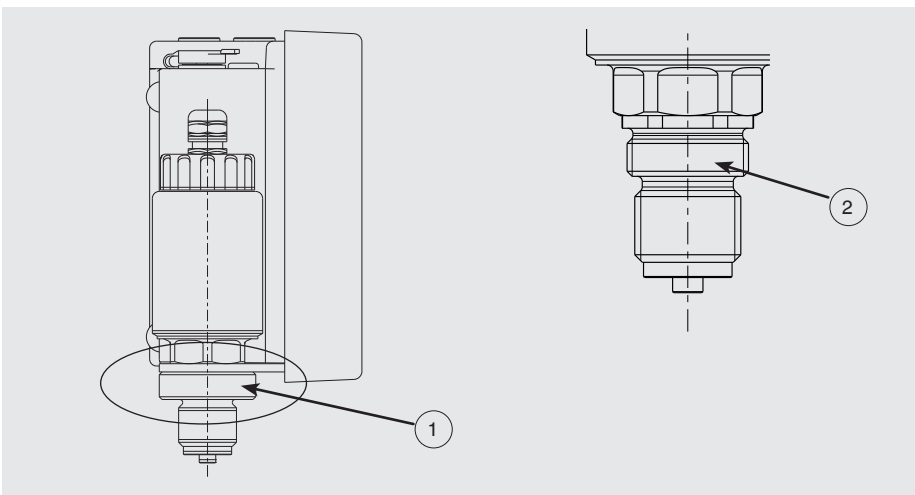
Beim Einschalten des Druckkalibrator wird der angeschlossene Referenzdrucksensor automatisch erkannt, so dass jegliche Konfiguration des Sensors entfällt.



Im oberen Teil des Sensorgehäuses unter der Kunststoffverschraubung befindet sich, bei Überdruck- bzw. Relativdrucksensoren, die Öffnung für den Druckausgleich. Diese Öffnung (mit integrierter Membrane) muss unbedingt frei bleiben!

#### 4.5.1 Mechanischer Anschluss

Der CPT6000 wird durch einen 6-Kant-Verdrehschutzsteg und einen Hand-Schnellspanverschluss am Gehäuse fixiert.



- 1 Hand-Schnellspanverschluss für ein einfaches Wechseln des Sensors.
- 2 6-Kant-Verdrehschutzsteg

## 4. Aufbau und Funktion

### 4.5.2 Elektrischer Anschluss

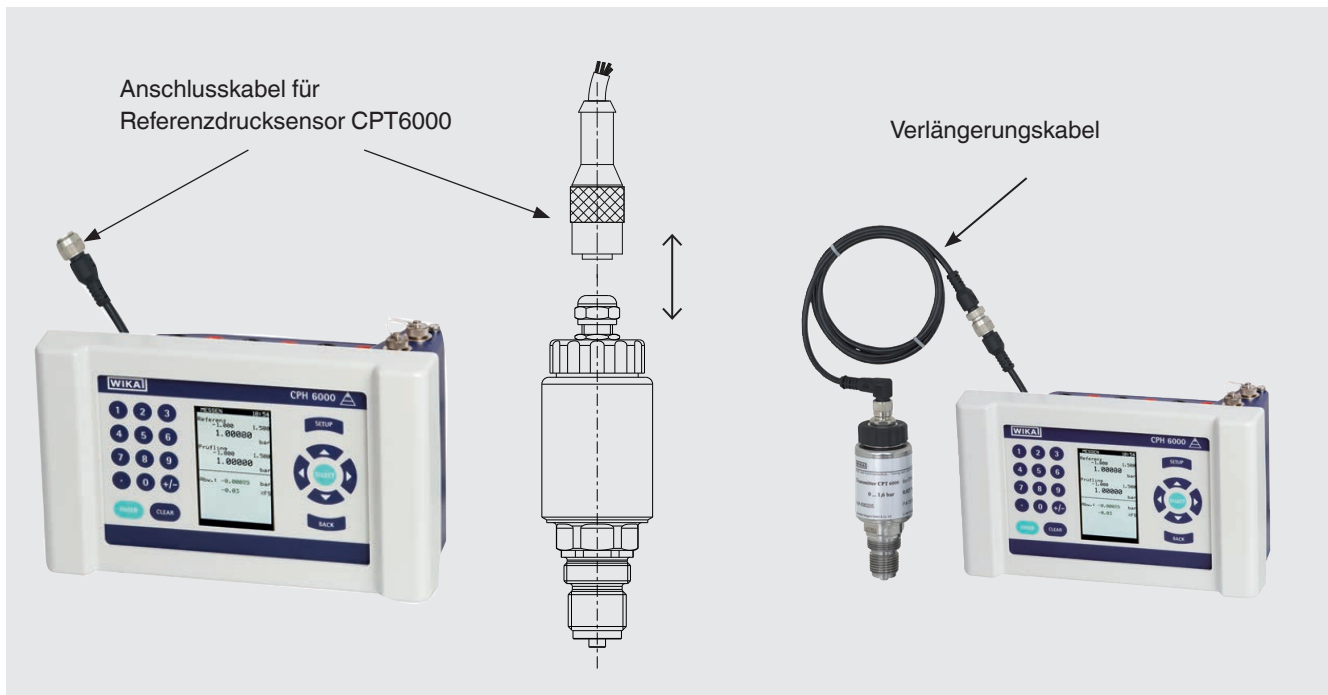
Die Verbindung zwischen CPH6000 und CPT6000 erfolgt mittels eines Sensoranschlusskabels via einem Rundstecker M12 x 1,5 mit Schraubverschluss.

- Für den externen Betrieb/Einsatz des CPT6000 Referenzdrucksensors maximal nur ein Kabel verwenden.
- Die Länge des Kabels beträgt ca. 1,1 m [3,61 ft].

DE



Nur das originale Sensoranschlusskabel von WIKA für den Betrieb des Referenzdrucksensors CPT6000 verwenden. Das Kabel ist im Zubehör zu finden, siehe Kapitel 11 „Zubehör“.





## 5. Transport, Verpackung und Lagerung

### 5. Transport, Verpackung und Lagerung

#### 5.1 Transport

Gerät auf eventuell vorhandene Transportschäden untersuchen.  
Offensichtliche Schäden unverzüglich mitteilen.



#### **VORSICHT!**

#### **Beschädigungen durch unsachgemäßen Transport**

Bei unsachgemäßem Transport können Sachschäden in erheblicher Höhe entstehen.

- ▶ Beim Abladen der Packstücke bei Anlieferung sowie innerbetrieblichem Transport vorsichtig vorgehen und die Symbole auf der Verpackung beachten.
- ▶ Bei innerbetrieblichem Transport die Hinweise unter Kapitel 5.2 „Verpackung und Lagerung“ beachten.

Wird das Gerät von einer kalten in eine warme Umgebung transportiert, so kann durch Kondensatbildung eine Störung der Gerätefunktion eintreten. Vor einer erneuten Inbetriebnahme die Angleichung der Gerätetemperatur an die Raumtemperatur abwarten.

#### 5.2 Verpackung und Lagerung

Verpackung erst unmittelbar vor der Montage entfernen.

Die Verpackung aufbewahren, denn diese bietet bei einem Transport einen optimalen Schutz (z. B. wechselnder Einbauort, Reparatursendung).

#### Zulässige Bedingungen am Lagerort:

	Drucksensor	Hand-Held	Netzteil
Lagertemperatur	-40 ... +85 °C [-40 ... +185 °F]	-20 ... +70 °C [-4 ... +158 °F]	-40 ... +85 °C [-40 ... +185 °F]
Relative Feuchte	0 ... 95 % r. F. (keine Betauung)	0 ... 85 % r. F. (keine Betauung)	5 ... 95 % r. F. (keine Betauung)

#### Folgende Einflüsse vermeiden:

- Direktes Sonnenlicht oder Nähe zu heißen Gegenständen
- Mechanische Vibration, mechanischer Schock (hartes Aufstellen)
- Ruß, Dampf, Staub und korrosive Gase
- Explosionsgefährdete Umgebung, entzündliche Atmosphären

Das Gerät in der Originalverpackung an einem Ort lagern, der die oben gelisteten Bedingungen erfüllt. Wenn die Originalverpackung nicht vorhanden ist, dann das Gerät wie folgt verpacken und lagern:

1. Die Akkuladung sollte während der Lagerung oder der Versendung zwischen 25 und 50 % liegen.
2. Das Gerät in eine antistatische Plastikfolie einhüllen.
3. Das Gerät mit dem Dämmmaterial in der Verpackung platzieren.
4. Bei längerer Einlagerung (mehr als 30 Tage) einen Beutel mit Trocknungsmittel der Verpackung beilegen.

### 6. Inbetriebnahme, Betrieb

**Personal:** Fachpersonal

**Werkzeuge:** Keines - Zum Befestigen des CPT6000 an das CPH6000

**Werkzeuge:** Schraubenschlüssel oder Drehmomentschlüssel - Zum Befestigen des CPT6000 in den Prozess

Nur Originalteile verwenden (siehe Kapitel 11 „Zubehör“).

DE



#### WARNUNG!

##### Körperverletzungen, Sach- und Umweltschäden durch gefährliche Messstoffe

Bei Kontakt mit gefährlichen Messstoffen (z. B. Sauerstoff, Acetylen, brennbaren oder giftigen Stoffen), gesundheitsgefährdenden Messstoffen (z. B. ätzend, giftig, krebserregend, radioaktiv) sowie bei Kälteanlagen, Kompressoren besteht die Gefahr von Körperverletzungen, Sach- und Umweltschäden.

Am Gerät können im Fehlerfall aggressive Messstoffe mit extremer Temperatur und unter hohem Druck oder Vakuum anliegen.

- ▶ Bei diesen Messstoffen müssen über die gesamten allgemeinen Regeln hinaus die einschlägigen Vorschriften beachtet werden.
- ▶ Notwendige Schutzausrüstung tragen.



#### GEFAHR!

##### Lebensgefahr durch elektrischen Strom

Bei Berührung mit spannungsführenden Teilen besteht unmittelbare Lebensgefahr.

- ▶ Einbau und Montage des Gerätes dürfen nur durch Fachpersonal erfolgen.
- ▶ Bei Betrieb mit einem defekten Netzgerät (z. B. Kurzschluss von Netzspannung zur Ausgangsspannung) können am Gerät lebensgefährliche Spannungen auftreten!

### 6.1 Druckkalibrator ein- und ausschalten

#### 6.1.1 Druckkalibrator einschalten

Durch das Betätigen einer beliebigen Taste wird der Druckkalibrator eingeschaltet. Der Kalibrator benötigt einen Warmlauf von einigen Minuten (max. 5 Minuten), um die angegebene Genauigkeit zu erreichen. Große Schwankungen der Umgebungstemperatur können eine längere Warmlaufphase erfordern. Vor dem Start der Druckkalibrierung sollte die Druckanzeige des Kalibrators genullt werden.

Direkt nach dem Einschalten des CPH6000 erscheint für einen kurzen Moment folgende Statusmeldung mit den aktuellen Einstellungen.

#### 1 Spannung 24V

Die Spannungsversorgung von DC 24 V (verfügbar am oberen Ende des Gerätes) kann während der Konfiguration eines jeden Arbeitsmodus ein- bzw. ausgeschaltet werden. Wird sie für eine Messung nicht benötigt, so sollte sie ausgeschaltet werden, um Energie zu sparen.

#### 2 Akkukapazität

Aktuelle Akkukapazität  
→ Siehe Kapitel 6.9.5 „CPH-Einstellungen“.

#### 3 Höhendifferenz

Im Menü „**SETUP**\CPH-Einstellungen“ eingestellte Höhendifferenz zwischen Prüfling und CPT6000 Referenzdrucksensor. Dieser Wert bewirkt eine automatische Korrekturberechnung, um eine Druckdifferenz, basierend auf einer Mediumssäule, zu eliminieren. Dieser Wert muss für den nachfolgenden Messprozess stimmen bzw. im Menü „**SETUP**\CPH-Einstellungen“ entsprechend angepasst werden.

→ Siehe Kapitel 6.9.5 „CPH-Einstellungen“.

Info	
<b>CPH6000</b>	
1	Spannung 24V: EIN
2	Akkukapazität: 100%
3	Höhendifferenz: 0 mm
4	Temperatur: 23.0 °C
5	Akt-Dat.: 2011/05/10
6	Kal-Dat.: 2011/05/10

- 4 **Temperatur**  
Im Menü „**SETUP**\CPH-Einstellungen“ eingestellte Temperatur (Umgebungstemperatur). Dieser Wert kann im Menü „**SETUP**\CPH-Einstellungen“ entsprechend angepasst werden.  
→ Siehe Kapitel 6.9.5 „CPH-Einstellungen“.
- 5 **Aktuelles Datum**  
Im Menü „**SETUP**\CPH-Einstellungen“ eingestelltes Datum der integrierten Echtzeituhr, das später mit auf dem Kalibrierzertifikat vermerkt wird. Dieser Wert muss für den nachfolgenden Messprozess im Kalibriermodus stimmen bzw. im Menü „**SETUP**\CPH-Einstellungen“ entsprechend angepasst werden.  
→ Siehe Kapitel 6.9.5 „CPH-Einstellungen“.
- 6 **Kalibrierdatum**  
Kalibrierdatum der elektrischen Messeingänge des CPH6000 (Jahr/Monat/Tag)

Nach der Statusmeldung erscheint der Bildschirm des zuletzt eingestellten Arbeitsmodus.



### Datenverlust!

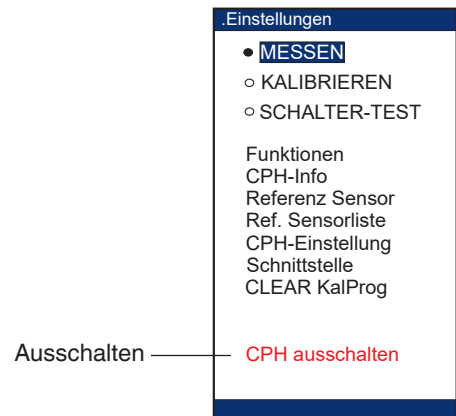
Zeigt der Ladezustand eine unzureichende Akkukapazität, ist der Druckkalibrator vor Arbeitsbeginn aufzuladen. Wenn der Akku beinahe vollständig entladen ist, erscheint im Display der Hinweis „**low BAT**“. Um Datenverluste zu vermeiden muss das Gerät unverzüglich geladen werden. Bei 0 % Akkukapazität schaltet sich das Gerät automatisch ab und muss mit dem Netzteil wieder geladen werden.

Alle Daten im internen Speicher gehen verloren, wenn die Batterie 0 % Akkukapazität hat!

### 6.1.2 Druckkalibrator ausschalten

Das Ausschalten erfolgt über den Menüpunkt **CPH ausschalten** im ersten Untermenü.

1. Hierzu einmalig [**SETUP**] drücken.
2. Mit [**▲**] oder [**▼**] Menüpunkt **CPH ausschalten** auswählen.
3. Mit [**SELECT**] bestätigen.  
⇒ CPH6000 schaltet sich aus.



### 6.2 Sensoranschluss und Sensorwechsel



#### **WARNUNG!**

#### **Mechanische Beschädigung durch falschen Drucksensor oder anliegenden Druck**

Missachtungen können zum Zerstören des Messgerätes führen!

- ▶ Nur Referenzdrucksensoren Typ CPT6000 verwenden! Mit anderen Sensoren kann es zur Zerstörung des Druckkalibrators und des Referenzdrucksensors kommen.

DE

1. Zum Sensorwechsel den Druckkalibrator ausschalten und das System belüften.
2. Den Sensor anstecken.



Zum Zeitpunkt des Einschaltens des CPH6000 muss sich der Referenzdrucksensor CPT6000 in derselben Einbaulage wie bei der späteren Messung befinden und nicht mit Druck beaufschlagt werden. Es muss atmosphärischer Luftdruck anliegen.

3. Gerät einschalten.  
⇒ Der Sensor wird automatisch erkannt.
4. Messungen können durchgeführt werden.

#### **6.2.1 Mechanischer Anschluss eines CPT6000**

1. Zum mechanischen Anschluss den CPT6000 Referenzdrucksensor mit dem Anschlussgewinde voran in die sechseckige Sensorhalterung am Gerät stecken, so dass der 6-Kant-Verdrehschutzsteg des CPT6000 passgenau in der Sensorhalterung sitzt.
2. Anschließend ist der Sensor mit der Handschnellspann-Verschlusschraube zu sichern.  
⇒ (Festziehen = im Uhrzeigersinn drehen; lösen = gegen den Uhrzeigersinn drehen)

Hierfür ist kein weiteres Werkzeug nötig (nur handfest anziehen).

#### **6.2.2 Elektrischer Anschluss eines CPT6000**

Für den Sensorwechsel den 8-poligen Steckkontakt am Sensor benutzen.

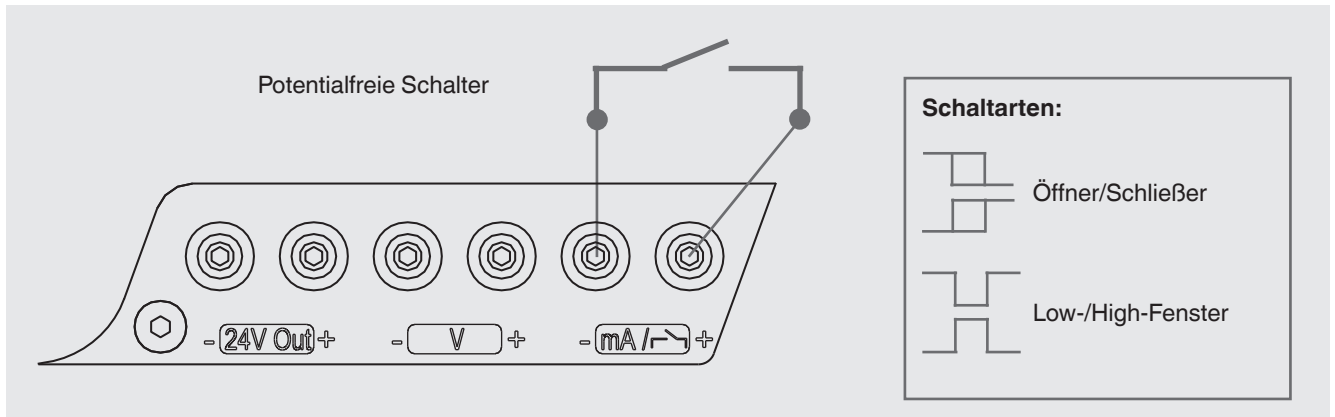
1. Zum elektrischen Anschluss eines Referenzdrucksensors Typ CPT6000 die entsprechende Steckverbindung des Kabels am Sensor gemäß der Orientierungsführung zusammenstecken und durch die Überwurfhülse sichern.
2. Überwurfhülse ohne größeren Kraftaufwand im Uhrzeigersinn drehen.
3. Zum Lösen der Verbindung die Überwurfhülse gegen den Uhrzeigersinn drehen.
4. Beim Abstecken des Sensors nicht am Kabel ziehen, sondern nur an der Steckerhülse.
5. Zum Anschluss an den CPH6000 das andere Kabelende ebenfalls gemäß der Orientierungsführung zusammenstecken und durch die Überwurfhülse sichern.
6. Überwurfhülse ohne größeren Kraftaufwand im Uhrzeigersinn drehen.
7. Zum Lösen der Verbindung die Überwurfhülse gegen den Uhrzeigersinn drehen.
8. Beim Abstecken des CPH6000 nicht am Kabel ziehen, sondern nur an der Steckerhülse.

## 6. Inbetriebnahme, Betrieb

### 6.2.3 Elektrischer Anschluss eines potentialfreien Druckschalters

An den Druckkalibrator sind nur potentialfreie (passive) Schalter gemäß Zeichnung mittels mitgelieferten Prüfkabels anzuschließen.

Eine Einspeisung von Strom oder Spannung kann zur Zerstörung des CPH6000 führen.



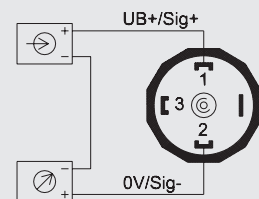
DE

### 6.2.4 Elektrischer Anschluss eines 2-Leiter-Prüflings

Vor dem Anschluss eines Prüflings sind die Hinweise unter Kapitel 4.2 „Elektrische Anschlüsse“ zu lesen und nachfolgend zu beachten.

#### Beispiel:

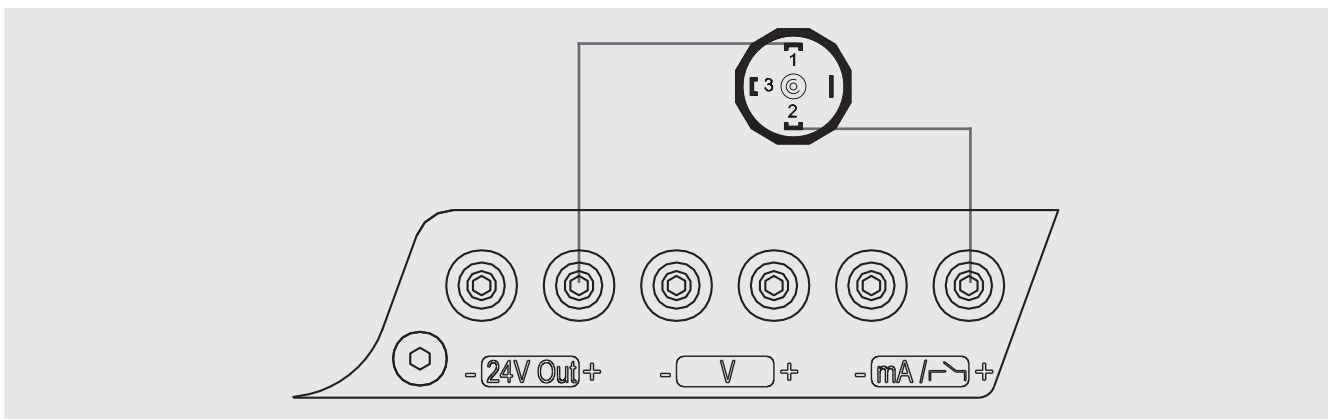
Anschlussplan eines Drucksensors von WIKA (2-Leiter-Schaltung), der überprüft/kalibriert werden soll.



#### Beispiel

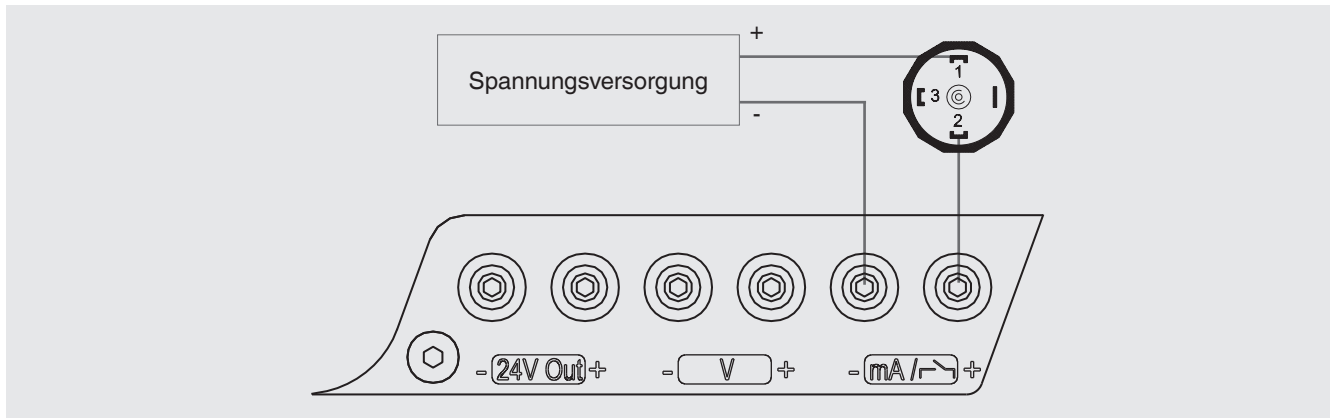
Prüfling ist ein Drucksensor von WIKA mit mA-Signal:

- ▶ Ohne Eigenversorgung muss die Spannung von DC 24 V über das Menü aktiviert werden (siehe Kapitel 6.8 „Arbeitsmodi“)



## 6. Inbetriebnahme, Betrieb

- Bei vorhandener Eigenversorgung



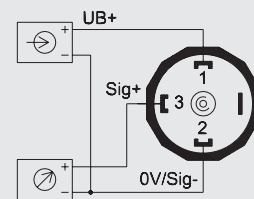
DE

### 6.2.5 Elektrischer Anschluss eines 3-Leiter-Prüflings

Vor dem Anschluss eines Prüflings sind die Hinweise unter Kapitel 4.2 „Elektrische Anschlüsse“ zu lesen und nachfolgend zu beachten.

#### Beispiel:

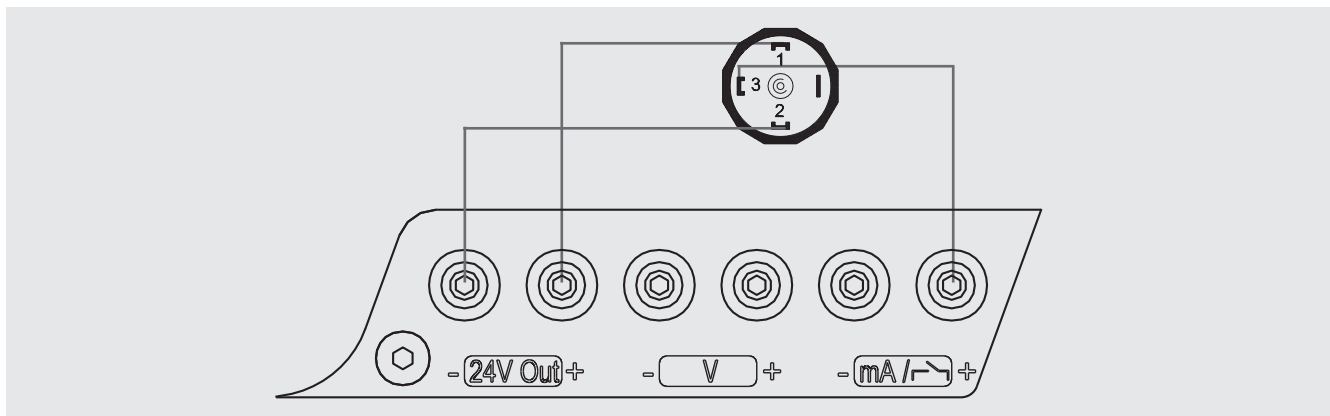
Anschlussplan eines Drucksensors von WIKA (3-Leiter-Schaltung), der überprüft/kalibriert werden soll.



#### Beispiel

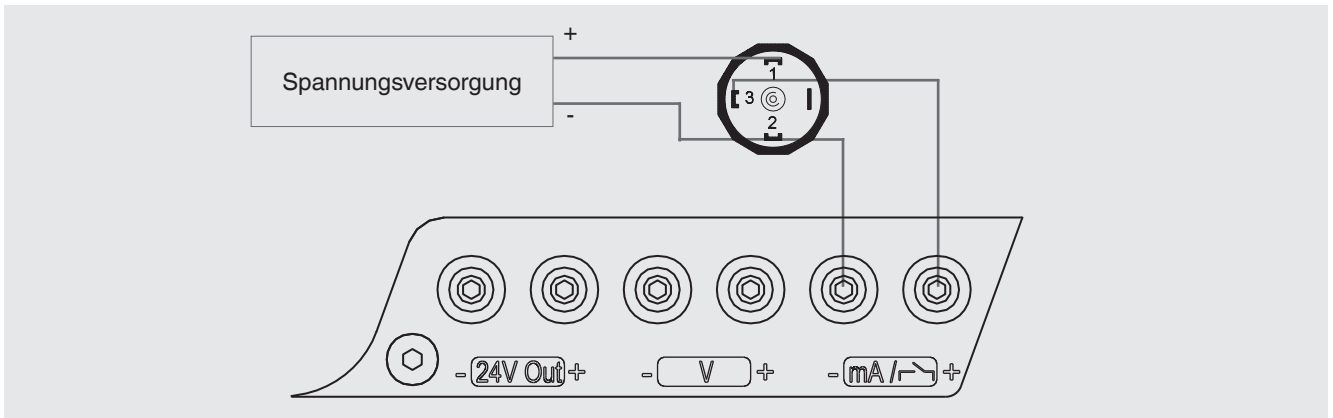
Prüfling ist ein Drucksensor von WIKA mit mA-Signal:

- Ohne Eigenversorgung muss die Spannung von DC 24 V über das Menü aktiviert werden (siehe Kapitel 6.8 „Arbeitsmodi“)



## 6. Inbetriebnahme, Betrieb

- ▶ Bei vorhandener Eigenversorgung

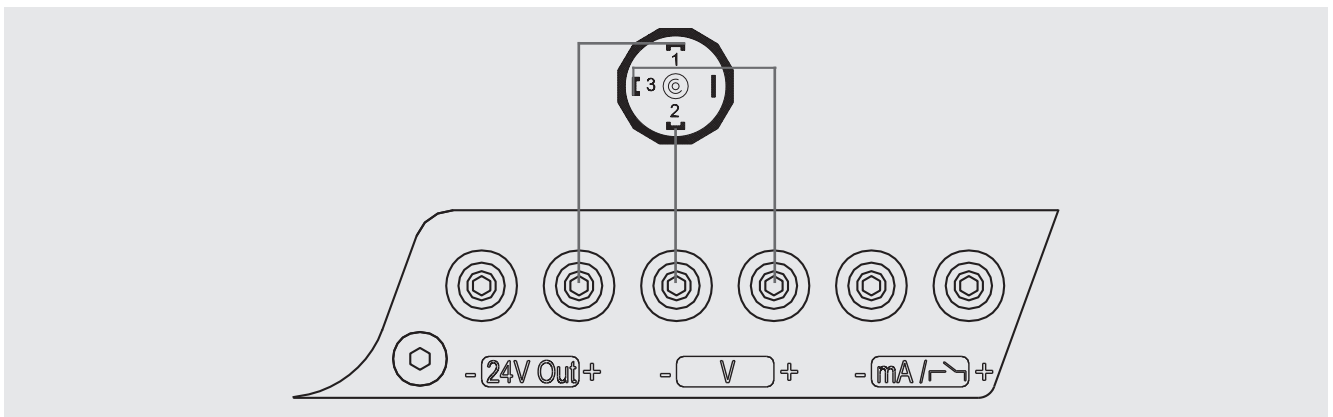


DE

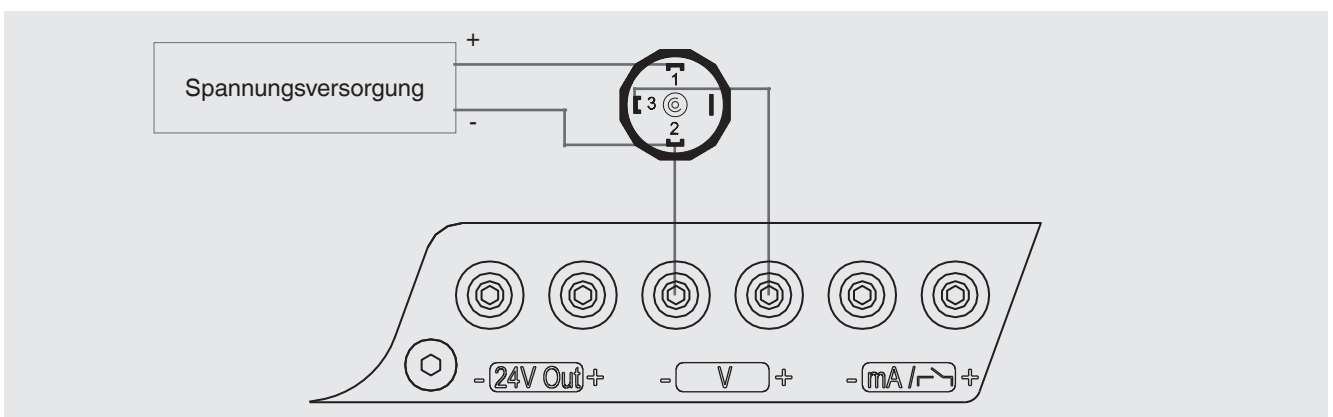
### Beispiel

**Prüfling ist ein Drucksensor von WIKA mit Spannungsausgang (V-Signal):**

- ▶ Ohne Eigenversorgung muss die Spannung von DC 24 V über das Menü aktiviert werden (siehe Kapitel 6.8 „Arbeitsmodi“)



- ▶ Bei vorhandener Eigenversorgung



### 6.3 Prüfaufbau



#### VORSICHT!

#### Falsche Messergebnisse durch falsche Einbaulage

Ein unsicherer Stand, Vibrationen oder falsche Einbaulage können die Messung beeinflussen.

- ▶ Prüf- und Kalibrieraufbauten nur im drucklosen Zustand montieren!
- ▶ Der CPH6000 sollte vor dem Arbeitseinsatz vollständig geladen werden.
- ▶ Vor dem Einschalten sicherstellen, dass sich der Prüfaufbau im drucklosen Zustand (System belüftet zu Atmosphäre) befindet und die Geräte die korrekte Einbaulage/Position aufweisen.
- ▶ Prüfaufbauten mechanisch und ggf. elektrisch verbinden/aufbauen (siehe Kapitel 6.2 „Sensoranschluss und Sensorwechsel“).

DE

Besonders kleine Messbereiche z. B.  $< 1 \text{ bar}$  [ $< 15 \text{ psi}$ ] sind lageabhängig (d. h. die Lage beeinflusst maßgeblich das Messsignal). Dies kann, falls erforderlich, mittels der **TARA**-Funktion kompensiert werden (siehe Kapitel 6.9.1 „Funktionen“).

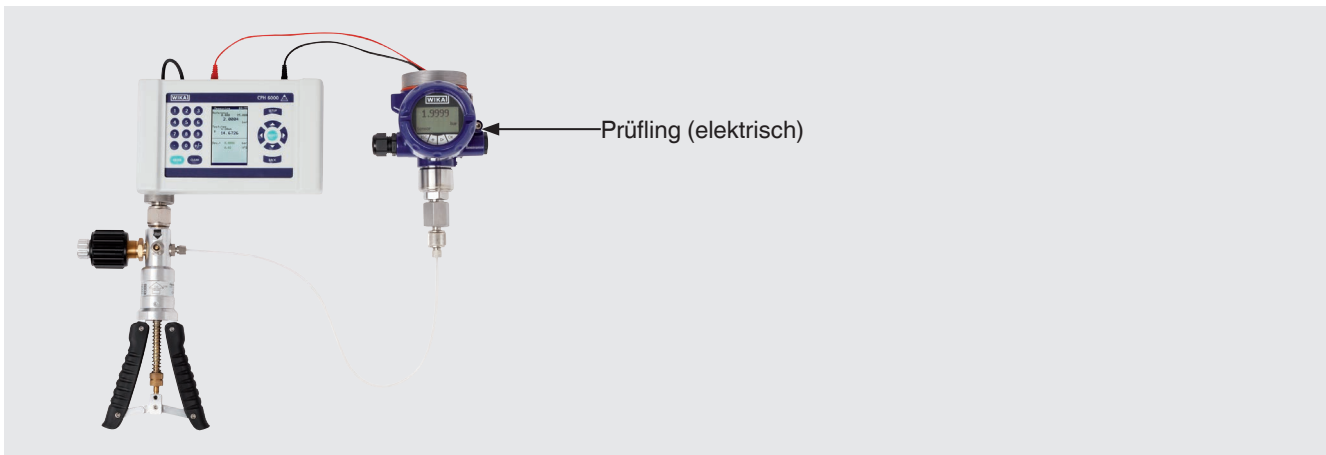
Absolutdruck-Messbereiche  $< 1 \text{ bar abs.}$  [ $< 15 \text{ psi abs.}$ ] befinden sich an Atmosphäre in einem Überlastzustand. Deshalb erscheint im Display die Meldung „**Overflow**“ als Zeichen eines Druckes außerhalb des Messbereiches des angeschlossenen Sensors.

Wird der Druck vermindert, so dass er innerhalb des zulässigen Messbereiches liegt, verschwindet die Meldung „**Overflow**“ wieder.

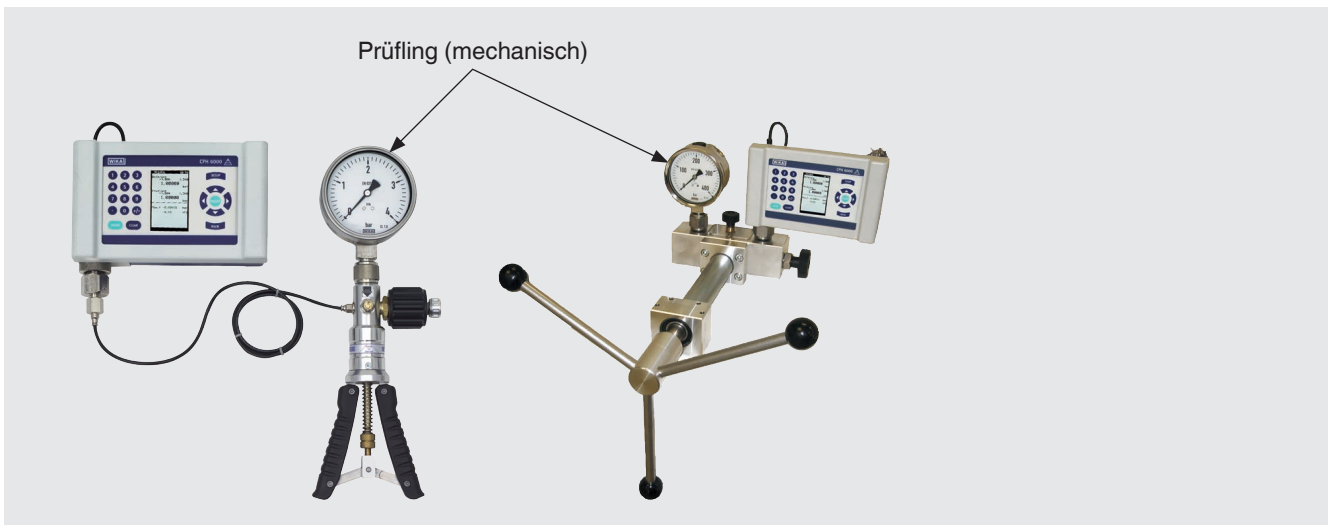
Da Absolutdruck-Messbereiche  $< 1 \text{ bar abs.}$  [ $< 15 \text{ psi abs.}$ ] an atmosphärischer Luftdruck bereits überlastet sind, sind für diese Messbereiche die Zeitdauerfunktion bei **Überlast** deaktiviert.

Die Einstellung erfolgt im **SETUP**-Zusatzmenüpunkt: Referenz Sensor (siehe Kapitel 6.9.3 „Referenzsensor“).

#### Beispiel: Prüf- und Kalibrieraufbau mit Testprüfpumpen







### 6.4 Druckmessung

Zur Druckkalibrierung den Prüfling am Prüflingsanschluss anschließen. Einen für den Druckbereich und die Genauigkeit geeigneten Referenzsensor wählen.



#### **VORSICHT!** **Falscher Druck**

Durch eine zu hohe Beaufschlagung mit Druck können die Drucksensoren beschädigt oder Personen verletzt werden.

- ▶ Die angegebenen Spezifikationen in dieser Betriebsanleitung beachten, die Aufschluss hinsichtlich Überdruck und Berstdruck geben (siehe Kapitel 10 „Technische Daten“).

Wenn ein zu großer Druck beaufschlagt wird, erscheint auf der Anzeige **Overflow**. Es ertönt ein zyklischer Signalton und anstatt einem Messwert erscheinen nur Striche im Display.

- Sobald diese Signale auftreten, muss der Druck sofort reduziert werden, um eine Beschädigung oder Verletzungen zu vermeiden.
- Die zuvor genannten Signale treten auf, wenn der Druck 110 % des Nennbereiches des Referenzdrucksensors überschreitet.
- Ist der Messwert des CPH6000 bei angeschlossenem Relativdrucksensoren und belüftetem Prüfaufbau ungleich Null, so kann eine Nullpunkt- oder Offsetkorrektur durchgeführt werden, siehe nachfolgende Kapitel.

### 6.5 Nullpunkteinstellung vom Relativdrucksensoren

Ist der Messwert des CPH6000 bei angeschlossenem Relativdrucksensoren und belüftetem Prüfaufbau ungleich Null, so kann durch ein zweimaliges Drücken von **[CLEAR]** (innerhalb von fünf Sekunden) der Nullpunkt korrigiert werden. Maximaler zugelassener Korrekturwert ist in Größe der 2-fachen Klassengenauigkeit.

### 6.6 Offsetkorrektur von Absolutdrucksensoren

Bei Absolutdrucksensoren kann eine Offsetkorrektur via Menü vorgenommen werden (siehe Kapitel 6.9.3 „Referenzsensor“).

## 6. Inbetriebnahme, Betrieb

### 6.7 Setup-Menü

Das Gerät verfügt über 3 Arbeitsmodi. **MESSEN / KALIBRIEREN / SCHALTERTEST**, die den jeweils größtmöglichen Komfort entsprechend seiner Anwendung bieten.

Zur Versorgung von Prüflingen und zum Einlesen deren Messsignale stehen elektrische Ein- und Ausgänge zur Verfügung, die optional durch unverlierbare Schutzkappen gegen raue Feldbedingungen geschützt werden können.

Arbeitsmodi	Funktion
<b>MESSEN und KALIBRIEREN</b>	Im Arbeitsmodus <b>MESSEN</b> (mit Prüfling) und <b>KALIBRIEREN</b> werden die Messwerte des Referenzdrucksensors und des Prüflings, sowie deren Abweichung in der aktuellen Druckeinheit und in % dargestellt. Hierdurch wird der Anwender direkt online informiert, ob der Prüfling die Klassengenauigkeit einhält oder nicht. Die Kalibrierdaten im <b>KALIBRIEREN</b> -Modus werden intern gespeichert und können später mittels Software (WIKA-Cal) in ein druckfähiges Zeugnis überführt werden.
<b>SCHALTERTEST</b>	Im Arbeitsmodus <b>SCHALTERTEST</b> können Druckschalter überprüft und eine automatische Berechnung der Schalthysterese durchgeführt werden.

Bezüglich des Datentransfers zu einem PC verfügt der Druckkalibrator über eine RS-232 und USB-Schnittstelle, die via Menü auswählbar sind. Weitere Informationen hierzu siehe Kapitel 6.9.6 „Schnittstelle“.

1. Mit **[SETUP]** Aufruf des Hauptmenüs „**Einstellungen**“.
2. Mit **[▲]** oder **[▼]** gewünschten Menüpunkt auswählen.
3. Mit **[SELECT]** bestätigen.  
⇒ Menüpunkt wird angezeigt.

#### 1 Arbeitsmodus MESSEN

- Zum Messen von Arbeits- bzw. Prozessdrücken
  - Für Vergleichsmessungen bzw. Kalibrierung (ohne Speicherung der Daten) von mechanischen <sup>1)</sup> und elektrischen Druckmessgeräten (Versorgung und Anzeige des Prüflings durch das CPH6000)
- Siehe Kapitel 6.8.1 „Modus MESSEN“

#### 2 Arbeitsmodus KALIBRIEREN

- Zur Kalibrierung von mechanischen <sup>1)</sup> und elektrischen Druckmessgeräten vor Ort (ohne PC). Hierbei werden die Datensätze von bis zu 16 Prüflingen mit jeweils bis zu 32 Prüfschritten inkl. Datum und Zeit im CPH6000 gespeichert.
- Siehe Kapitel 6.8.2 „Modus KALIBRIEREN“

#### 3 Arbeitsmodus SCHALTERTEST

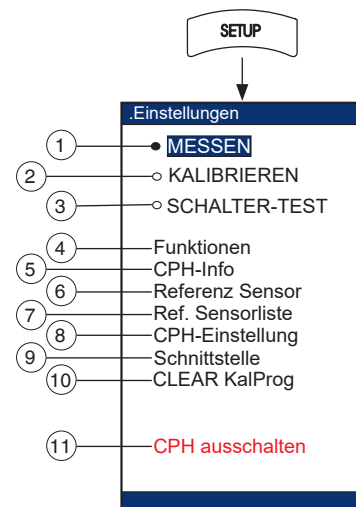
- Für die komfortable Überprüfung von Druckschaltern inkl. automatischer Berechnung der Schalthysterese
- Siehe Kapitel 6.8.3 „Modus SCHALTERTEST“

#### 4 Funktionen

- Tara: Offsetkorrektur des Referenz-Druckmesswertes
  - Min./Max.: Minimum/Maximum Speicher
  - Alarm: Min./Max.-Alarm (visuell und akustisch)
  - Filter: Beruhigung/Glättung des Referenzsensorsignals
- Siehe Kapitel 6.9.1 „Funktionen“

#### 5 CPH-Info

- Allgemeine CPH6000 Gerätedaten
- Kalibrierdaten der elektrischen Messeingänge
  - Firmware-Nummer
  - Seriennummer des Gerätes
- Siehe Kapitel 6.9.2 „CPH-Info“



1) Bei mechanischen Zeigerinstrumenten muss der Messwert des Prüflings via numerischem Eingabeblock eingegeben werden.

- ⑥ **Referenzsensor**  
Daten des aktuell angeschlossenen Referenzdrucksensors
  - Messbereich
  - Genauigkeitsklasse
  - Druckart des Sensors
  - Info falls Referenzsensor überlastet wurde
  - Kalibrierdaten des Referenzsensors→ Siehe Kapitel 6.9.3 „Referenzsensor“
- ⑦ **Referenz-Sensorliste**  
Liste der gespeicherten Referenzsensoren, die angeschlossen werden können und kalibriert sind.  
→ Siehe Kapitel 6.9.4 „Ref.-Sensorliste“
- ⑧ **CPH-Einstellungen**
  - Info: zur Akkukapazität
  - Einstellmöglichkeiten von: Menüsprache, Systemzeit/Systemuhr, Displayhelligkeit, PowerSave-Funktion (automatischer Energiesparmodus siehe Kapitel 6.9.5 „CPH-Einstellungen“)
  - Eingabemöglichkeiten:
    - Umgebungstemperatur während der Kalibrierung
    - Vorhandene Höhendifferenz zwischen Referenzdrucksensor und Prüfling (siehe Kapitel 6.3 „Prüfaufbau“).→ Siehe Kapitel 6.9.5 „CPH-Einstellungen“
- ⑨ **Schnittstelle**  
Schnittstelle inkl. Einstellung der Baudrate  
→ Siehe Kapitel 6.9.6 „Schnittstelle“
- ⑩ **CLEAR KalProg**  
Löschen aller gespeicherten Kalibrierdaten (Freigabe und Zurücksetzen aller Speicherplätze)  
→ Siehe auch Kapitel 6.9.7 „CLEAR KalProg“
- ⑪ **CPH ausschalten**  
Ausschalten des Druckkalibrators Typ CPH6000  
→ Siehe Kapitel 6.1.2 „Druckkalibrator ausschalten“

## 6. Inbetriebnahme, Betrieb

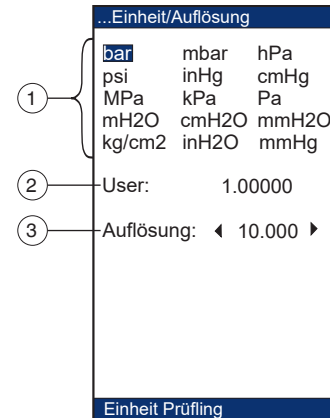
### 6.7.1 Displayanzeige: Einheiten und Auflösung

Nach der Wahl eines der Hauptmenüpunkte des **SETUP**-Menüs, wie z. B. **MESSEN**, **KALIBRIEREN** oder **SCHALTERTEST** kann jeweils via dem Menüpunkt **Einheit** und seinem zugehörigen Untermenü die Einheit und Auflösung eingestellt werden.

Verfügbare Einheiten inkl. Umrechnungsfaktor bezogen auf die Einheit bar, siehe Kapitel 10.8 „Verfügbarer Druckbereich und Auflösung“.

DE

1. Mit **[SETUP]** Menü auswählen.
2. Mit **[▲]** oder **[▼]** Menüpunkt **Einheit** auswählen.
3. Mit **[◀], [▶], [▲]** oder **[▼]** die Einheit auswählen.
4. Mit **[SELECT]** bestätigen
5. Mit **[▲]** oder **[▼]** Menüpunkt **User** auswählen.
6. Einheit via numerischem Eingabeblock eingeben.
7. Mit **[SELECT]** bestätigen
8. Mit **[▲]** oder **[▼]** die **Auflösung** auswählen.
9. Mit **[◀]** oder **[▶]** die Genauigkeit der Auflösung auswählen.
10. Mit **[SELECT]** bestätigen
11. Zurück mit **[BACK]**.



- 1 Auswahl der Standardeinheit
- 2 Kundenspezifische Einheit; bezogen auf die Einheit bar (Eingabe via numerischem Eingabeblock)
- 3 Auflösung der Anzeige im Arbeitsmodus.

## 6.8 Arbeitsmodi

### 6.8.1 Modus MESSEN

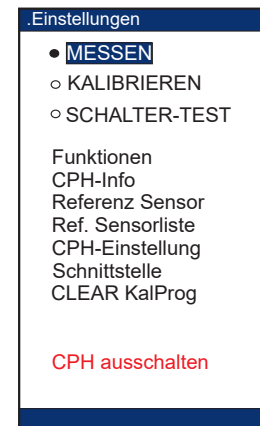
#### Modus MESSEN aufrufen:

1. Mit **[SETUP]** Aufruf des Hauptmenüs.
2. Mit **[▲]** oder **[▼]** Menüpunkt **MESSEN** auswählen.
3. Mit **[SELECT]** bestätigen.  
⇒ Untermenü **MESSEN** wird angezeigt.

#### MESSEN vorbereiten:

Um das Gerät in den Modus **MESSEN** zu überführen, müssen zuvor folgende Einstellungen durchgeführt werden.

- ▶ Mit **[▲]** oder **[▼]** Menüpunkt auswählen.
- ▶ Mit **[◀]** oder **[▶]** die Konfiguration vornehmen.
- ▶ Am Ende alle Einstellungen mit **[SELECT]** bestätigen.  
⇒ Modus **MESSEN** wird aufgerufen.



## 6. Inbetriebnahme, Betrieb

DE

### 1 Prüfling

- Messen ohne Prüfling: [----]
- Messen mit Prüfling: 0 ... 20 mA / 4 ... 20 mA / 0 ... 1 V / 0 ... 2 V / 0 ... 5 V / 0 ... 10 V / bzw. mechanisch für Zeigerinstrument

Wird eine Vergleichsmessung mit einem mechanischen Zeigerinstrument (Prüfling) durchgeführt, so ist der aktuelle Messwert des Zeigerinstrumentes via numerischem Eingabeblock einzugeben und mit **[ENTER]** zu bestätigen.



Der CPH6000 ist nur zur Messung von Gleichspannung und Gleichstrom-Signalen geeignet.

..MESSEN	
1	Prüfling: <4-20 mA>
2	MB-Anfang: 0.000
3	MB-Ende: 6.000
	Einheit: <bar>
4	Klasse: 0.50
	<%FS>
5	Messart: <rel>
6	Medium: <Gas>
7	Versorgung: <24V>
Prüflingsart	

### 2 MB-Anfang / MB-Ende

Messbereichsanfang und Messbereichsende des aktuell zu kalibrierenden Prüflings

### 3 Einheit

Einheit und Auflösung (Untermenü)

→ Siehe Kapitel 6.7.1 „Displayanzeige: Einheiten und Auflösung“

### 4 Klasse

Messunsicherheit des Prüflings in % FS (bzw. auf die Spanne) oder % rd (bzw. auf den Messwert)

### 5 Messart

Messart des Prüflings (relativ oder absolut)

### 6 Medium

Prüfmedium (Pneumatik → Gas oder Hydraulik → Öl)

### 7 Versorgung

Spannungsversorgung für Prüfling (an/aus)

Falls keine Fremdversorgung für den Prüfling benötigt wird, sollte „AUS“ gewählt werden, um Energie zu sparen

→ Siehe Kapitel 4.2 „Elektrische Anschlüsse“.

### Modus MESSEN starten

Nach dem erstmaligen Einschalten des CPH6000 mit angeschlossenem CPT6000 Referenzdrucksensor befindet sich das Gerät (nach einer kurzen Statusmeldung) im Modus **MESSEN** (siehe nachfolgendes Bild)

### Modus MESSEN nur mit Referenzdrucksensor (ohne Prüfling)

- 1 Messbereich des Referenzdrucksensors CPT6000 (der aktuell angeschlossen ist)
- 2 Aktueller Messwert des Referenzdrucksensors
- 3 Druckeinheit (via Menü einstellbar)

MESSEN		13:28
1	Referenz	10.000
2	0.000	bar
	Prüfling	6.000
	0.006	bar
	Abw.: 0.006	bar
	0.10	%FS

Im Modus **MESSEN** kann parallel zum Referenz-Druckmesswert auch ein Prüfling zur Anzeige gebracht werden (siehe nachfolgendes Bild). Bezüglich der Konfiguration siehe Kapitel 6.8.1 „Modus MESSEN“.

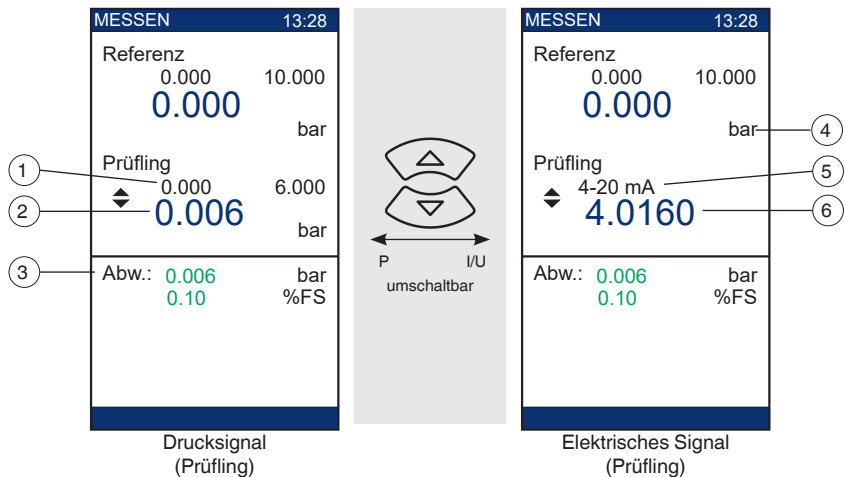
## 6. Inbetriebnahme, Betrieb

### Modus MESSEN mit Prüfling durchführen

- ▶ Messvorgang kann durchgeführt werden.
- ▶ Mit [▲] oder [▼] kann zwischen der Funktion Drucksignal und Elektrisches Signal umgeschaltet werden.

DE

- 1 Messbereich des Prüflings
- 2 Aktueller Messwert des Prüflings
- 3 Abweichung/Differenz zwischen Referenz und Prüfling in der aktuellen Druckeinheit und in % von der Messspanne (% FS) bzw. % vom Messwert (% rd)
- 4 Druckeinheit (des Prüflings)
- 5 Ausgangssignal des Prüflings
- 6 Aktueller Wert des Ausgangssignals des Prüflings



### 6.8.2 Modus KALIBRIEREN

#### 6.8.2.1 Kalibrierung konfigurieren



Das Gerät verfügt über eine integrierte Echtzeituhr mit Datum. Das aktuelle Datum einer Kalibrierung wird später auf dem Kalibrierzertifikat mit angegeben. Vor dem Beginn einer Kalibrierung sicherstellen, dass das interne Datum des CPH6000 korrekt ist (siehe Kapitel 6.9.5 „CPH-Einstellungen“).

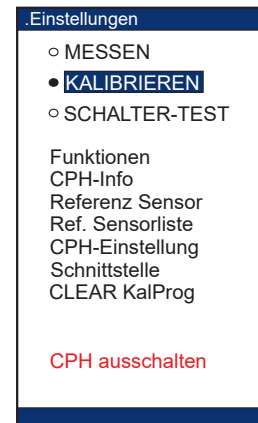
#### Modus KALIBRIEREN aufrufen:

1. Mit [SETUP] Aufruf des Hauptmenüs.
2. Mit [▲] oder [▼] Menüpunkt **KALIBRIEREN** auswählen.
3. Mit [SELECT] bestätigen.  
⇒ Untermenü **KALIBRIEREN** wird angezeigt.

#### KALIBRIEREN vorbereiten:

Um das Gerät in den Modus **KALIBRIEREN** zu überführen, müssen zuvor folgende Einstellungen durchgeführt werden.

- ▶ Mit [▲] oder [▼] Menüpunkt auswählen.  
⇒ Kalibrierung, Prüfpunkt und Soll (Sollwert)
- ▶ Mit [◀] oder [▶] die Konfiguration vornehmen.
- ▶ Eingabe der Werte via numerischem Eingabeblock
- ▶ Eingabe mit [ENTER] bestätigen.
- ▶ Am Ende alle Einstellungen mit [SELECT] bestätigen.  
⇒ Modus **KALIBRIEREN** wird aufgerufen.



## 6. Inbetriebnahme, Betrieb

### Ersten Prüfpunkt definieren

- ① **Kalibrierung**  
Nummer der Kalibrierung bzw. des Prüflings (bis zu 16 Kalibrierungen mit jeweils bis zu 32 Prüfschritten können vordefiniert bzw. gespeichert werden)
- ② **Prüfling**  
Prüflingsart bzw. Prüflingsmesssignal  
0 ... 20 mA / 4 ... 20 mA / 0 ... 1 V / 0 ... 2 V / 0 ... 5 V / 0 ... 10 V / bzw. mechanisch für Zeigerinstrument
- ⑪ **Prüfpunkt**  
Nummer des Prüfpunktes x
- ⑬ **Soll**  
Wert des Prüfpunktes x (Eingabe via numerischem Eingabeblock)  
(Prüfpunkt x+1 bzw. x-1 via [▲] oder [▼] aufrufbar)

..KALIBRIEREN

Kalibrierung: ◀ 1 ▶

Prüfling: ◀ 4-20 mA ▶

ID Nr: 123456

MS Nr: 456789

MB-Anfang: 0.000

MB-Ende: 6.000

Einheit: ◀ bar ▶

Klasse: 0.50

◀ %FS ▶

Messart: ◀ rel ▶

Medium: ◀ Gas ▶

Versorgung: ◀ 24V ▶

Prüfpunkt: 1

Haltezeit: 0

Soll: ◀ 0.00000 ▶

Ist: 0.00000

Kalibrierprogramm



Der CPH6000 ist nur zur Messung von Gleichspannung und Gleichstrom-Signalen geeignet.

### Erster Prüfpunkt definiert

Beispiel hier:

Prüfpunkt Nr. 1 = 0 bar

- ⑥ **Druckeinheit des Prüfpunktes**  
Einheit und Auflösung (Untermenü)  
→ Siehe Kapitel 6.7.1 „Displayanzeige: Einheiten und Auflösung“
- ⑪ **Prüfpunkt**  
Nr. 1
- ⑬ **Soll**  
Prüfpunkt Nr. 1 = 0 bar

..KALIBRIEREN

Kalibrierung: ◀ 1 ▶

Prüfling: ◀ 4-20 mA ▶

ID Nr: 123456

MS Nr: 456789

MB-Anfang: 0.000

MB-Ende: 6.000

Einheit: ◀ bar ▶

Klasse: 0.50

◀ %FS ▶

Messart: ◀ rel ▶

Medium: ◀ Gas ▶

Versorgung: ◀ 24V ▶

Prüfpunkt: 1

Haltezeit: 0

Soll: ◀ 0.00000 ▶

Ist: 0.00000

Kalibrierprogramm

### Zweiten Prüfpunkt definieren

Mit [▲] oder [▼] Prüfpunkt auswählen.

- ▶ Mit [▶] 2. Prüfpunkt aufrufen.
- ▶ Eingabe der Werte via numerischem Eingabeblock.
- ▶ Eingabe mit [ENTER] bestätigen.
- ▶ Mit [◀] zurück zum vorhergehenden Prüfpunkt.

### Weitere Prüfpunkte definieren

Weitere Prüfpunkte werden wie in **Zweiten Prüfpunkt definieren** vorgenommen.



Es können bis zu 16 Kalibrierungen mit bis zu 32 Prüfschritten vorbereitet werden.

- ③ **ID Nr**  
IDENT-Nummer des Prüflings
- ④ **MS Nr**  
Messstellennummer des Prüflings
- ⑤ **MB-Anfang / MB-Ende**  
Messbereichsanfang und Messbereichsende des aktuell zu kalibrierenden Prüflings

..KALIBRIEREN

Kalibrierung: ◀ 1 ▶

Prüfling: ◀ 4-20 mA ▶

ID Nr: 123456

MS Nr: 456789

MB-Anfang: 0.000

MB-Ende: 6.000

Einheit: ◀ bar ▶

Klasse: 0.50

◀ %FS ▶

Messart: ◀ rel ▶

Medium: ◀ Gas ▶

Versorgung: ◀ 24V ▶

Prüfpunkt: 2

Haltezeit: 0

Soll: ◀ 2.00000 ▶

Ist: 0.00000

Kalibrierprogramm

## 6. Inbetriebnahme, Betrieb

DE

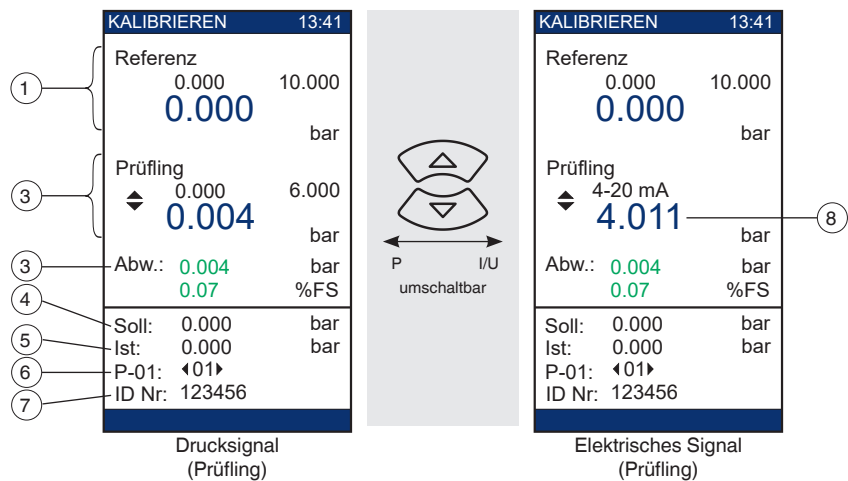
- 7 **Klasse**  
Messunsicherheit des Prüflings in % FS (bzw. auf die Spanne) oder % rd (bzw. auf den Messwert)
- 8 **Messart**  
Messart des Prüflings (relativ oder absolut)
- 9 **Medium**  
Prüfmedium (Pneumatik → Gas oder Hydraulik → Öl)
- 10 **Versorgung**  
Spannungsversorgung für Prüfling (an/aus)  
Falls keine Fremdversorgung für den Prüfling benötigt wird, sollte „AUS“ gewählt werden, um Energie zu sparen  
→ Siehe Kapitel 4.2 „Elektrische Anschlüsse“.
- 12 **Haltezeit**  
Optionale Wartezeit [sek]
- 14 **Ist**  
Wahrer Wert des Prüflings (wird bei der Kalibrierung gespeichert)

### Modus KALIBRIEREN

Im Modus **KALIBRIEREN** sind die Daten über der gezogenen Trennlinie dieselben wie im Modus „MESSEN mit Prüfling“.

- ▶ Kalibriervorgang kann durchgeführt werden.
- ▶ Mit [▲] oder [▼] kann zwischen der Funktion Drucksignal und Elektrisches Signal umgeschaltet werden.

- 1 Aktueller Messwert des CPT6000 Referenzdrucksensors
- 2 Aktueller Messwert des Prüflings
- 3 Abweichung zwischen Prüfling und Referenz
- 4 Sollwert der Kalibrierung
- 5 Istwert der Kalibrierung
- 6 P - 01: Prüfling Nr. 1  
< 01 >: Prüfschritt Nr. 1
- 7 IDENT-Nummer des Prüflings
- 8 Aktueller Wert des Ausgangssignals des Prüflings



Bei der Kalibrierung von Druckmessgeräten mit elektrischem Ausgangssignal (Druckmessumformer/Transmitter) wird nach Anzeige der Referenz kalibriert, d. h. der Druck ist immer so einzustellen, dass der Referenzwert exakt dem Sollwert entspricht.

Da unter Umständen ein exaktes Einstellen des Druckes nicht immer möglich ist, wird neben dem Istwert (Prüflingswert) und dem Sollwert (Referenzwert) auch der wahre Referenzwert gespeichert. Mittels der Software WIKA-Cal kann dies im Kalibrierzertifikat aufgelistet werden.



Wird nach DKD-Richtlinie kalibriert, so dürfen die Messwerte des jeweils nächsten Prüfpunktes erst nach einer bestimmten Zeit (bestehend aus Laständerungszeit und Beharrungszeit) von z. B. 30 Sekunden übernommen/ gespeichert werden (siehe Abb. 1 „Kalibrierzyklus nach DKD-Richtlinie 6-1“ für Messunsicherheit > 0,6 % der Messspanne).



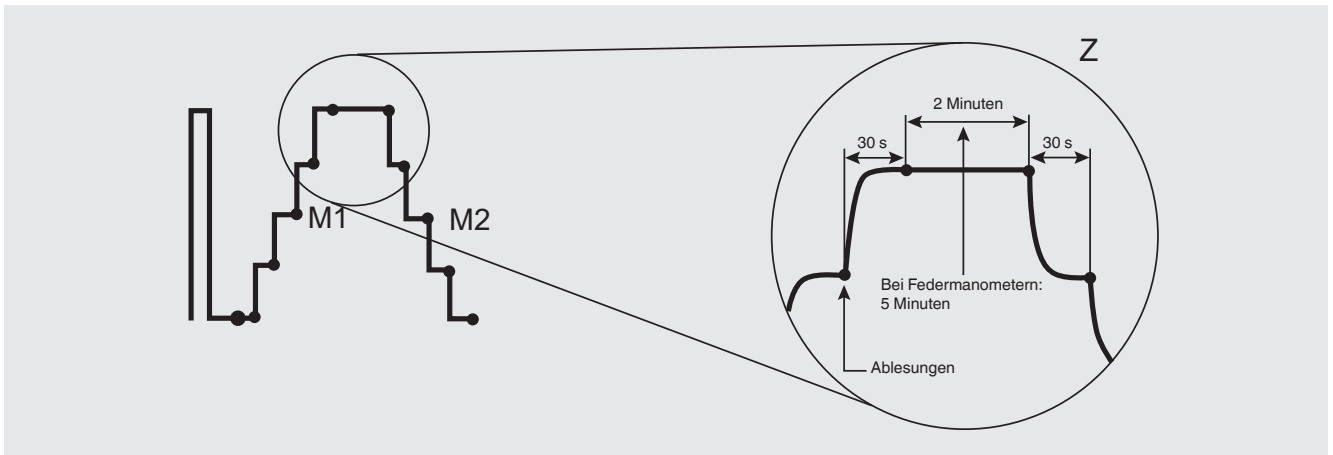


Abb. 1 - Kalibrierzyklus nach DKD-Richtlinie 6-1

- 1 **Optionale Wartezeit [sek]**  
Eingabe via numerischem Eingabeblock und Bestätigung mit **[ENTER]**.

Durch die Eingabe einer Wartezeit wird die Übernahme/Speicherung des Prüfpunktes für diese Dauer gesperrt.  
Im dargestellten Beispiel müssen nach der Speicherung des ersten Prüfpunktes 30 Sekunden vergehen bis der zweite Prüfpunkt gespeichert werden kann.



Sollten alte Prüfpunkte gelöscht bzw. zurückgesetzt werden, da die neue Kalibrierung weniger Prüfpunkte als die vorherige Prüfreihe besitzt, **[CLEAR]** drücken. Hierdurch wird der aktuelle und alle nachfolgenden Prüfpunkte gelöscht bzw. zurückgesetzt.  
(Dieser Vorgang kann einige Sekunden dauern.)

Sollen alle gespeicherten Kalibrierdaten sämtlicher Kalibrierungen auf einmal gelöscht werden siehe Kapitel 6.9.7 „CLEAR KalProg“.

..KALIBRIEREN	
Kalibrierung:	◀ 1 ▶
Prüfling:	◀ 4-20 mA ▶
ID Nr:	123456
MS Nr:	456789
MB-Anfang:	0.000
MB-Ende:	6.000
Einheit:	◀ bar ▶
Klasse:	0.50
	◀ %FS ▶
Messart:	◀ rel ▶
Medium:	◀ Gas ▶
Versorgung:	◀ 24V ▶
Prüfpunkt:	2
Haltezeit:	30
Soll:	◀ 0.0000 ▶
Ist:	0.0000
Kalibrierprogramm	

1

## 6. Inbetriebnahme, Betrieb

### 6.8.2.2 Kalibrierung eines Druckmessumformers oder Manometers

#### Ersten Prüfpunkt definieren (z. B. 0 bar)

- ▶ Mit [▲] oder [▼] Menüpunkt auswählen.  
⇒ Kalibrierung, Prüfpunkt und Soll (Sollwert)
- ▶ Eingabe der Werte via numerischem Eingabeblock
- ▶ Eingabe mit [ENTER] bestätigen.

DE

- 1 Abweichung
- 2 ■ Vorgegebenen Sollwert mittels Druckerzeugung nach Anzeige des Prüflings generieren  
⇒ Bei Sollwert = 0 ist der Kalibrieraufbau in drucklosen Zustand zu bringen/Atmosphäre (Prüfling muss 0 bar anzeigen; ggf. Nullpunkteinstellung)

oder

- Vorgegebenen Sollwert nach Anzeige der Referenz generieren  
⇒ Drucklosen Zustand herstellen/Atmosphäre
  - ▶ Mit [ENTER] Messwerte des Prüfpunktes speichern
- 3 Nr. Prüfling und Nr. Prüfpunkt

#### Zweiten Prüfpunkt definieren (z. B. 1 bar)

- ▶ Mit [▲] oder [▼] Menüpunkt auswählen.  
⇒ Kalibrierung, Prüfpunkt und Soll (Sollwert)
- ▶ Eingabe der Werte via numerischem Eingabeblock
- ▶ Eingabe mit [ENTER] bestätigen.

- 4 Vorgegebenen Sollwert mittels Druckerzeugung **nach Anzeige der Referenz** generieren

#### Zweiter Prüfpunkt definiert

- ▶ Messwerte des Prüfpunktes speichern
- ▶ Mit [BACK] zurück zum vorhergehenden Prüfpunkt

#### Weitere Prüfpunkte definieren

Weitere Prüfpunkte werden wie in **Zweiten Prüfpunkt definieren** vorgenommen.

KALIBRIEREN		13:41
Referenz	0.000	10.000
	<b>0.000</b>	bar
Prüfling	0.000	6.000
	<b>0.000</b>	bar
Abw.:	0.000	bar
	0.00	%FS
Soll:	0.000	bar
Ist:	0.000	bar
P-01:	◀01▶	
ID Nr:	123456	

KALIBRIEREN		13:41
Referenz	0.000	10.000
	<b>0.000</b>	bar
Prüfling	0.000	6.000
	<b>0.000</b>	bar
Abw.:	0.000	bar
	0.00	%FS
Soll:	1.000	bar
Ist:	0.000	bar
P-01:	◀02▶	
ID Nr:	123456	

KALIBRIEREN		13:41
Referenz	0.000	10.000
	<b>1.006</b>	bar
Prüfling	0.000	6.000
	<b>1.000</b>	bar
Abw.:	-0.006	bar
	-0.10	%FS
Soll:	1.000	bar
Ist:	0.000	bar
P-01:	◀02▶	
ID Nr:	123456	

## 6. Inbetriebnahme, Betrieb

### 6.8.3 Modus SCHALTERTEST

Im Modus **SCHALTERTEST** werden neben dem Referenzdrucksensor Angaben zum Status und zu den Schaltpunkten des Druckschalters angezeigt.

#### Modus SCHALTERTEST aufrufen:

1. Mit **[SETUP]** Aufruf des Hauptmenüs.
2. Mit **[▲]** oder **[▼]** Menüpunkt **SCHALTERTEST** auswählen.
3. Mit **[SELECT]** bestätigen.  
⇒ Untermenü SCHALTERTEST wird angezeigt.

#### SCHALTERTEST vorbereiten:



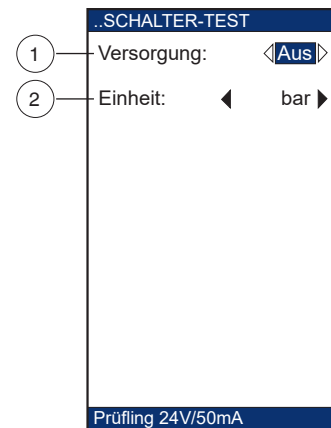
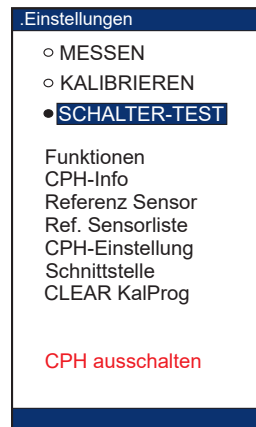
Der Schaltertest ist nicht für elektronische Schalter, wie z. B.: PNP- oder NPN-Schalter geeignet, sondern nur für mechanische, potentialfreie Schalter.

- ▶ Mit **[▲]** oder **[▼]** Menüpunkt auswählen.
- ▶ Mit **[◀]** oder **[▶]** die Konfiguration vornehmen.
- ▶ Am Ende alle Einstellungen mit **[SELECT]** bestätigen.  
⇒ Modus **SCHALTERTEST** wird aufgerufen.

- 1 **Spannungsversorgung** für Prüfling (an/aus)  
Falls keine Fremdversorgung für den Prüfling benötigt wird, sollte „**AUS**“ gewählt werden, um Energie zu sparen (siehe auch Kapitel 4.2 „Elektrische Anschlüsse“).
- 2 **Einheit**  
Einheit und Auflösung (Untermenü)  
→ Siehe Kapitel 6.7.1 „Displayanzeige: Einheiten und Auflösung“



Die ermittelten Messwerte der beiden Schaltpunkte und der Hysterese können durch das Drücken der Ziffer: **0** zurückgesetzt werden.

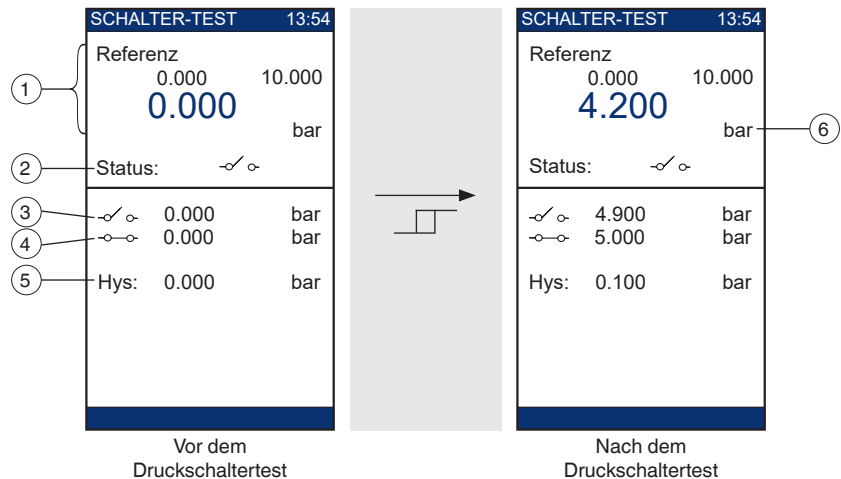


DE

## 6. Inbetriebnahme, Betrieb

### Modus SCHALTERTEST:

- ▶ **SCHALTERTEST** kann durchgeführt werden.
- ▶ Mit [▲] oder [▼] kann zwischen der Funktion Drucksignal und Elektrisches Signal umgeschaltet werden.



DE

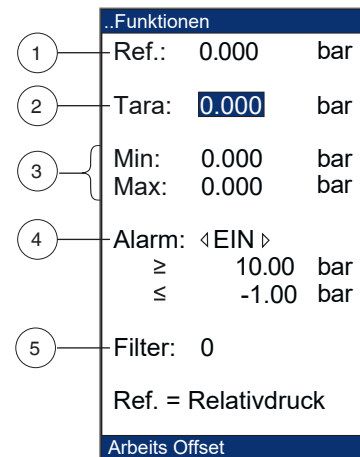
- 1 Aktueller Messwert des CPT6000 Referenzdrucksensors
- 2 Aktueller Schaltzustand/Status des Druckschalters
- 3 Schaltpunkt des Öffnens
- 4 Schaltpunkt des Schließens
- 5 Hysterese/Abstand zwischen Öffnen und Schließen des Schalters
- 6 Druckeinheit (via Menü einstellbar)

### 6.9 Setup-Zusatzmenü

#### 6.9.1 Funktionen

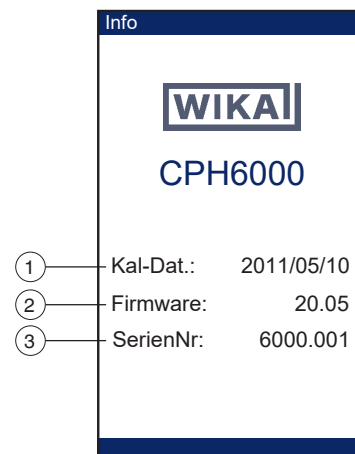
- ▶ Mit Taste [▲] oder [▼] Menüpunkt auswählen.
- ▶ Eingabe via numerischem Eingabeblock
- ▶ Eingabe mit [ENTER] bestätigen.
- ▶ [CLEAR] löscht die Eingabe bzw. setzt den Min./Max.-Speicher zurück

- 1 **Ref.:**  
Aktueller Messwert des angeschlossenen CPT6000 Referenzdrucksensors
- 2 **Tara:**  
Offset-Funktion, die den aktuellen Messwert beeinflusst. Der eingegebene Wert wird zum aktuellen Messwert addiert.  
(z. B. Ref. 0.000 und Tara: 1.000 → [neu] Ref. 1.000)
- 3 **Min./Max.:**  
Minimum- und Maximum-Wertspeicher  
Der Speicher wird jeweils zurückgesetzt, indem mit dem Cursor [▲] oder [▼] auf den Wert gegangen und [CLEAR] gedrückt wird.
- 4 **Alarm:**  
Akustische und visuelle Alarmfunktion  
Obere Alarmgrenze:  $\geq$  bar  
Untere Alarmgrenze:  $\leq$  bar  
Ist der aktuelle Messwert außerhalb der eingestellten Alarmgrenzen, so ertönt ein zyklischer Signalton und die untere Statuszeile blinkt.
  - Aktivierung  
Mit dem Cursor auf das Feld **AUS** neben dem Wort **Alarm** gehen und via [◀] oder [▶] auf **EIN** umstellen.
  - Deaktivierung  
Wieder auf **AUS** zurückstellen
- 5 **Filter [1-5]:**  
Beruhigung/Glättung des Referenzsensorsignals  
**Bedeutung der Zahlenwerte:**  
1 = keine zusätzliche Glättung ... 5 = starke Glättung



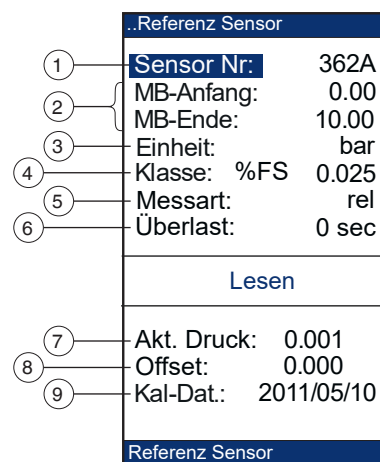
## 6.9.2 CPH-Info

- 1 **Kal-Dat.:**  
Kalibrierdatum der Kalibrierung der elektrischen Messeingänge des CPH6000 (Jahr/Monat/Tag)
- 2 **Firmware:**  
Version der Firmware des CPH6000
- 3 **SerienNr:**  
Seriennummer des CPH6000



## 6.9.3 Referenzsensor

- 1 **Sensor Nr:**  
Sensornummer des aktuell angeschlossenen CPT6000 Referenzdrucksensors
- 2 **MB-Anfang/MB-Ende:**  
Messbereichsanfang und Messbereichsende des aktuell angeschlossenen CPT6000 Referenzdrucksensors
- 3 **Einheit:**  
Basisdruckeinheit des CPT6000 Referenzdrucksensors
- 4 **Klasse:**  
Genauigkeit der Messkette aus CPH6000 mit angeschlossenen CPT6000 Referenzdrucksensor
- 5 **Messart:**  
Druckart des aktuell angeschlossenen CPT6000 Referenzdrucksensors (Relativdruck oder Absolutdruck)
- 6 **Überlast**  
Zeitdauer für die der CPT6000 Referenzdrucksensor unzulässig überlastet wurde.



Ist hier ein Wert ungleich Null eingetragen, so ist es sehr wahrscheinlich, dass das Gerät nicht mehr seine spezifizierte Klassengenauigkeit einhält. Aufschluss kann hier nur eine umgehende Rekalibrierungen geben. (Bei Absolutdrucksensoren < 1 bar abs. [< 15 psi abs.] ist diese Funktion deaktiviert, da schon der atmosphärischer Luftdruck für diese Messbereiche eigentlich eine Überlast darstellt).

- 7 **Akt. Druck:**  
Aktueller Messwert des angeschlossenen CPT6000 Referenzdrucksensors
- 8 **Offset:**  
Dieser Menüpunkt erscheint nur, wenn der CPT6000 Referenzdrucksensor ein Absolutdrucksensor ist. Mittels diesen Menüpunktes kann der Messwert des Referenzdrucksensors korrigiert werden. Dies sollte jedoch möglichst nur nahe dem absoluten Nullpunkt und mittels einer Referenz, die mindestens viermal genauer ist, geschehen.
- 9 **Kal-Dat:**  
Kalibrierdatum des CPT6000 Referenzdrucksensors (Jahr/Monat/Tag)

## 6. Inbetriebnahme, Betrieb

### 6.9.4 Ref.-Sensorliste

Der Druckkalibrator CPH6000 unterstützt bis zu 10 CPT6000 Referenzdrucksensoren.

- ▶ Mit Taste [▲] oder [▼] Sensor auswählen.
- ▶ Eingabe mit [ENTER] bestätigen.

- 1 Aktuell angeschlossener CPT6000 Referenzdrucksensor
- 2 Sensor-Liste der unterstützten (mit dem Gerät kalibrierten) CPT6000 Referenzdrucksensoren
- 3 Daten des Sensors, der mit dem Cursor angewählt wurde (Kalibrierdatum: Jahr/Monat/Tag)

..Ref. Sensorliste	
1	Aktuell 362A
2	01 362A 06 ----
	02 Rp52 07 ----
	03 Kd35 08 ----
	04 Rp56 09 ----
	05 ---- 10 ----
3	MB-Anfang: 0.000
	MB-Ende: 10.000
	Einheit: bar
	Kal-Dat.: 2011/05/10
	Klasse: 0.025

### 6.9.5 CPH-Einstellungen

- ▶ Mit Taste [▲] oder [▼] Menüpunkt auswählen.
- ▶ Eingabe via numerischem Eingabeblock.
- ▶ Eingabe mit [ENTER] bestätigen.
- ▶ [CLEAR] löscht die Eingabe.

In diesem Menü befinden sich allgemeine Geräteeinstellungen wie:

- 1 **Temperatur:**  
Eingabemöglichkeit einer Umgebungstemperatur
- 2 **Höhendiff:**  
Eingabemöglichkeit einer Höhendifferenz zwischen Referenzdrucksensor und Prüfling zur automatischen Korrektur,
  - ▶ Herausrechnen eines Druckes basierend auf einer Mediumssäule.

..CPH-Einstellungen	
1	Temperatur: 20.0 °C
2	Höhendiff: 0 mm
3	Sprache: < Deutsch >
4	Datum: 2011/05/10
5	Uhrzeit: 13:22:51
6	Helligkeit: 80 %
7	Powersave: 15 min
8	Akkukapazität: 100 %
Eingabe Umgebungstemp.	

Existiert zwischen Referenzdrucksensor CPT6000 und Prüfling ein größerer Höhenunterschied, so kann ein Druckunterschied basierend auf einer Mediumssäule via Menü automatisch kompensiert werden.



Die Standard-Höhendifferenz zwischen Prüfling und CPT6000 Referenzdrucksensor beträgt 98 mm [3,86 in].

- 3 **Sprache:**  
Auswahl der Menüsprache (Deutsch/Englisch/Französisch/Spanisch/Italienisch)
- 4 **Datum:**  
Datum der Systemuhr (Jahr/Monat/Tag)
- 5 **Uhrzeit:**  
Zeit der Systemuhr (Stunde/Minute/Sekunde)
- 6 **Helligkeit:**  
Helligkeit der Hintergrundbeleuchtung des Displays
- 7 **Powersave:**  
Automatische Abschaltzeit von Hintergrundbeleuchtung und interner Hilfsenergie für Prüflinge mit DC 24 V.  
Wird das Gerät für die eingestellte Abschaltzeit nicht benutzt (keine Taste gedrückt und keine Schnittstellenkommunikation), so werden Hintergrundbeleuchtung und die Spannungsversorgung für Prüflinge mit DC 24 V so lange abgeschaltet, bis eine beliebige Taste betätigt bzw. das Gerät über Schnittstelle angesprochen wird.

### 8 Akkukapazität:

Aktuelle Akkukapazität

Bei 10 % erscheint im Display die Warnung einer geringen Akkukapazität „low BAT“.

#### 6.9.6 Schnittstelle

Die Schnittstellen können ein- und ausgeschaltet werden. Um Akkukapazität zu sparen sollten die Schnittstellen bei Nichtgebrauch deaktiviert werden.

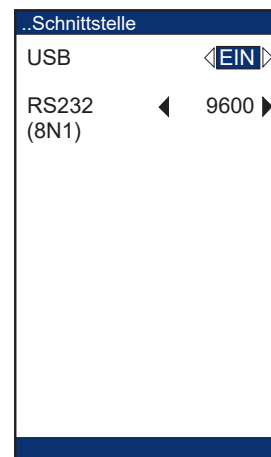
- ▶ Mit Taste [▲] oder [▼] die Schnittstelle auswählen.
- ▶ Auswahl mit [SELECT] bestätigen.
- ▶ Mit Taste [◀] oder [▶] zwischen der Schnittstelle und Baudrate wechseln.

##### RS-232-Schnittstelle

Bei der RS-232-Schnittstelle kann zwischen 3 Baudraten gewählt werden mit festen 8 genutzten Datenbits, keiner Parität und 1 Stop-Bit.

##### USB-Schnittstelle

Die USB-Schnittstelle kann nur ein- und ausgeschaltet werden.



#### 6.9.7 CLEAR KalProg

Wird der **SETUP**-Menüpunkt **CLEAR KalProg** mit dem Cursor angewählt und 2 x [SELECT] betätigt, so werden sämtliche gespeicherten Kalibrierdaten gelöscht bzw. zurückgesetzt.



Der Status des Löschvorganges wird links in der unteren Info-Zeile angezeigt.

#### 6.10 Arbeiten mit der WIKA-Cal

Die Kalibriersoftware WIKA-Cal dient zum Erstellen von Kalibrierzertifikaten oder Loggerprotokollen für Druckmessgeräte. Mit der WIKA-Cal sind sowohl das Auslesen der im Hand-Held gespeicherten Loggerdaten als auch die Online-Kalibrierungen in Verbindung mit einem PC möglich. Der Funktionsumfang der Software ist abhängig von der gewählten Lizenz.

Weitere Informationen hierzu und auch die Bedienung finden Sie in der Bedienungsanleitung der WIKA-Cal.

# 8. Störungen

## 7. Störungen

Personal: Fachpersonal



### VORSICHT!

#### Körperverletzungen, Sach- und Umweltschäden

Können Störungen mit Hilfe der aufgeführten Maßnahmen nicht beseitigt werden, Gerät unverzüglich außer Betrieb setzen.

- ▶ Sicherstellen, dass kein Druck bzw. Signal mehr anliegt und gegen versehentliche Inbetriebnahme schützen.
- ▶ Kontakt mit dem Hersteller aufnehmen.
- ▶ Bei notwendiger Rücksendung die Hinweise unter Kapitel 9.2 „Rücksendung“ beachten.

DE



Kontaktdaten siehe Kapitel 1 „Allgemeines“ oder Rückseite der Betriebsanleitung.

Störungen	Ursachen	Maßnahmen
<b>Netzteil</b>		
Der Bildschirm ist dunkel und die Maßnahme „Akku aufladen“ zeigt keine Wirkung	Netzteil defekt	Netzteil durch ein neues ersetzen (siehe Kapitel 11 „Zubehör“)
	Netzteil nicht richtig angeschlossen	Überprüfen, ob das Netzteil richtig angeschlossen ist und durch autorisiertes Fachpersonal überprüfen lassen, ob die Spannungsversorgung korrekt ist
<b>Akku</b>		
Im Display erscheint die Meldung „low BAT“	Die Ladekapazität des Akkus ist kleiner 10 %	Akku mit dem zugehörigen Netzteil aufladen
Der Bildschirm wird nach dem Einschalten des Gerätes bzw. während des Betriebes dunkel	Akku entladen	Akku mittels Netzteil aufladen
Gerät riecht bei Einsatz oder wird beim Aufladen ungewöhnlich heiß	Akku defekt	Gerät unverzüglich außer Betrieb setzen und Hersteller kontaktieren
Gerät riecht bei der Lagerung oder wird ungewöhnlich heiß	Akku defekt	Gerät unverzüglich außer Betrieb setzen und Hersteller kontaktieren
Gerät erscheint in irgendeiner anderen Weise ungewöhnlich	Akku defekt	Gerät unverzüglich außer Betrieb setzen und Hersteller kontaktieren
Akku ist nach 24 Stunden nicht vollständig geladen	Akku defekt	Gerät unverzüglich außer Betrieb setzen und Hersteller kontaktieren
<b>Funktionsstörungen</b>		
Die Hintergrundbeleuchtung und die internen Spannungsversorgung für Prüflinge mit DC 24 V sind plötzlich nicht mehr vorhanden	Der Bildschirm ist dunkel, da sich die PowerSave-Funktion eingeschaltet hat. Diese aktiviert sich nach einer bestimmten Zeit ohne Berühren einer Taste.	Beliebige Taste drücken um die PowerSave-Funktion rückgängig zu machen, ggf. Countdown-Zeit der PowerSave-Funktion vergrößern (siehe Kapitel 6.9.5 „CPH-Einstellungen“)
Messwerte schwanken sehr stark	Funktionsstörungen während der Bedienung	Gerät ausschalten und nach 5 Sekunden wieder einschalten
<b>Messungen und Prüfling</b>		
Es ertönt ein zyklischer Signalton und in der unteren Infoleiste erscheint der Hinweis „Overflow“	Der aktuelle Druckwert ist leicht außerhalb (2 ... 10 %) des zulässigen Druckbereiches	Den Druck anpassen
	Der Referenzdrucksensor Typ CPT6000 ist nicht korrekt angeschlossen oder es besteht ein Problem mit der Verbindung	Referenzdrucksensor richtig anschließen Verbindung zwischen CPH6000 und CPT6000 prüfen



## 8. Störungen / 9. Wartung, Reinigung und Rekalibrierung

Störungen	Ursachen	Maßnahmen
Der Prüfling (eingelassen via mA- bzw. V-Messeingänge) reagiert nicht	Prüfling falsch angeschlossen	Verkabelung überprüfen
	Prüfling ohne Eigenversorgung	Die Spannungsversorgung für Prüflinge mit DC 24 V aktivieren
Der Prüfling (eingelassen via der mA- bzw. V-Messeingänge) zeigt einen falschen Wert	Falscher Messbereich des Prüflings eingeben	Messbereich des Prüflings korrekt eingeben

DE

### 8. Wartung, Reinigung und Rekalibrierung

**Personal:** Fachpersonal



Kontaktinformationen siehe Kapitel 1 „Allgemeines“ oder Rückseite der Betriebsanleitung.

#### 8.1 Wartung

Der Druckkalibrator ist wartungsfrei.

Reparaturen sind ausschließlich vom Hersteller durchzuführen.

#### 8.2 Reinigung



##### **VORSICHT!**

##### **Körperverletzungen, Sach- und Umweltschäden**

Eine unsachgemäße Reinigung führt zu Körperverletzungen, Sach- und Umweltschäden. Messstoffreste im ausgebauten Gerät können zur Gefährdung von Personen, Umwelt und Einrichtung führen.

- ▶ Notwendige Schutzausrüstung verwenden.
- ▶ Reinigungsvorgang wie folgt beschrieben durchführen.

1. Vor der Reinigung das Gerät ordnungsgemäß von der Druckversorgung trennen, ausschalten und vom Netz trennen.
2. Das Gerät mit einem feuchten Tuch reinigen.  
Elektrische Anschlüsse nicht mit Feuchte in Berührung bringen!



##### **VORSICHT!**

##### **Beschädigung des Gerätes durch falsches Reinigen**

Eine unsachgemäße Reinigung führt zur Beschädigung des Gerätes!

Das Eindringen von Flüssigkeiten kann zu Personenschaden oder Schäden am Kalibrator führen.

- ▶ Keine aggressiven Reinigungsmittel verwenden.
- ▶ Keine harten und spitzen Gegenstände zur Reinigung verwenden.
- ▶ Darauf achten, dass keine Flüssigkeiten in das Gehäuse gelangt.

3. Gerät säubern, um Personen und Umwelt vor Gefährdung durch anhaftende Messstoffreste zu schützen.

#### 8.3 Rekalibrierung

##### **DAkkS-Kalibrierzertifikat oder amtliche Bescheinigungen:**

Es wird empfohlen, das Gerät in regelmäßigen Zeitabständen von ca. 12 Monaten durch den Hersteller rekalibrieren zu lassen. Die Grundeinstellungen werden wenn notwendig korrigiert.

### 9. Demontage, Rücksendung und Entsorgung

**Personal:** Fachpersonal

**Schutzausrüstung:** Schutzhandschuhe, Schutzbrille

**Werkzeuge:** Gabelschlüssel oder Drehmomentschlüssel

DE



**WARNUNG!**

**Körperverletzungen, Sach- und Umweltschäden durch Messstoffreste**

Messstoffreste am Gerät können zur Gefährdung von Personen, Umwelt und Einrichtung führen.

- ▶ Notwendige Schutzausrüstung tragen.
- ▶ Angaben im Sicherheitsdatenblatt für den entsprechenden Messstoff beachten.
- ▶ Ausgebautes Gerät spülen bzw. säubern, um Personen und Umwelt vor Gefährdung durch anhaftende Messstoffreste zu schützen.

#### 9.1 Demontage



**WARNUNG!**

**Körperverletzung**

Bei der Demontage besteht Gefahr durch hohe Drücke.

- ▶ Prüf- und Kalibrieraufbauten im drucklosen Zustand demontieren!

#### 9.2 Rücksendung

**Beim Versand des Gerätes unbedingt beachten:**

Alle an WIKA gelieferten Geräte müssen frei von Gefahrstoffen (Säuren, Laugen, Lösungen, etc.) sein und sind daher vor der Rücksendung zu reinigen.



**WARNUNG!**

**Körperverletzungen, Sach- und Umweltschäden durch Messstoffreste**

Messstoffreste am Gerät können zur Gefährdung von Personen, Umwelt und Einrichtung führen.

- ▶ Bei Gefahrstoffen das Sicherheitsdatenblatt für den entsprechenden Messstoff beilegen.
- ▶ Gerät reinigen, siehe Kapitel 8.2 „Reinigung“.

Zur Rücksendung des Gerätes die Originalverpackung oder eine geeignete Transportverpackung verwenden.

#### Geräte mit Lithium-Ionen-Akkus oder Lithium-Metall-Batterien

Die enthaltenen Lithium-Ionen-Akkus oder Lithium-Metall-Batterien unterliegen den Anforderungen des Gefahrgutrechts. Beim Versand sind besondere Anforderungen an Verpackung und Kennzeichnung zu beachten. Hier muss bei der Vorbereitung des Versandstückes ein Gefahrgut-Experte hinzugezogen werden. Keine beschädigten oder defekte Akkus versenden. Offene Kontakte abkleben und den Akku so verpacken, dass er sich nicht in der Verpackung bewegt bzw. Kurzschlüsse verhindert werden. Die unterschiedlichen gefahrgutrechtlichen Vorgaben der jeweiligen Verkehrsträger und auch eventuelle weiterführende nationale Vorschriften beachten.

- ▶ Das Gerät nicht bei beschädigten oder defekten Akku versenden.
- ▶ Der Akku ist im Druckkalibrator fest eingebaut. Sollte der Akku nicht mehr funktionieren bitte den Hersteller kontaktieren.
- ▶ Der Akku ist ein Verschleißteil. Alle wiederaufladbaren Akkus haben eine begrenzte Anzahl von Ladezyklen und müssen möglicherweise irgendwann überprüft werden. Sollte auffallen, dass der Druckkalibrator immer öfter geladen werden muss, umgehend den Hersteller kontaktieren.



Kontaktdaten siehe Kapitel 1 „Allgemeines“ oder Rückseite der Betriebsanleitung.

**Um Schäden zu vermeiden:**

1. Das Gerät in eine antistatische Plastikfolie einhüllen.
2. Das Gerät mit dem Dämmmaterial in der Verpackung platzieren. Zu allen Seiten der Transportverpackung gleichmäßig dämmen.
3. Wenn möglich einen Beutel mit Trocknungsmittel der Verpackung beifügen.
4. Sendung als Transport eines hochempfindlichen Messgerätes kennzeichnen.



Hinweise zur Rücksendung befinden sich in der Rubrik „Service“ auf unserer lokalen Internetseite.

**9.3 Entsorgung**

Durch falsche Entsorgung können Gefahren für die Umwelt entstehen. Gerätekomponenten und Verpackungsmaterialien entsprechend den landesspezifischen Abfallbehandlungs- und Entsorgungsvorschriften umweltgerecht entsorgen.



Nicht mit dem Hausmüll entsorgen. Für eine geordnete Entsorgung gemäß nationaler Vorgaben sorgen.

## 10. Technische Daten

**10.1 Basisinformationen - Gesamte Messkette**

Gesamte Messkette		
<b>Sensorik</b>	<ul style="list-style-type: none"> <li>■ 1 Referenzdrucksensor CPT6000 (ohne Werkzeug wechselbar)</li> <li>■ Externer Einsatz via 1,1 m [3,6 ft] Sensoranschlusskabel (Plug-and-Play)</li> </ul>	
<b>Ausführung</b>	Es können bis zu zehn Datensätze bzw. Referenzdrucksensoren pro CPH6000 programmiert werden.	
<b>Genauigkeit der Messkette <sup>1) 2)</sup></b>		
Relativdruck	0,025 % FS	≤ 1.000 bar [≤ 14.500 psi]
	0,1 % FS	> 1.000 bar ... ≤ 6.000 bar [> 14.500 psi ... ≤ 87.000 psi]
Absolutdruck	0,025 % FS	≤ 25 bar abs. [≤ 360 psi abs.]
<b>Druckarten</b>		
Relativdruck	0 ... 6.000 bar [0 ... 87.000 psi]	
Absolutdruck	0 ... 0,25 bar abs. bis 0 ... 25 bar abs. [0 ... 4 psi abs. bis 0 ... 360 psi abs.]	
Vakuum und +/- Messbereich	-600 ... +600 mbar bis -1 ... 39 bar [-10 ... +10 psi bis -14,5 ... 550 psi]	

1) Ist durch die Gesamt-Messunsicherheit definiert, welche durch den Erweiterungsfaktor (k = 2) ausgedrückt wird und folgende Faktoren beinhaltet: die gerätespezifische Performance, Messunsicherheit des Referenzgerätes, Langzeitstabilität, Einfluss durch Umgebungsbedingungen, Drift und Temperatureinflüsse über den kompensierten Bereich bei periodischem Nullpunktgleich.

2) Kalibriert bei 23 °C [74 °F] und bei senkrechter Einbaulage, Druckanschluss nach unten.

# 11. Technische Daten

## 10.2 Technische Daten zu digitales Anzeigegerät Typ CPH6000

DE

Basisinformationen		
<b>Funktionen</b>		
Arbeitsmodus	Messen, Kalibrieren und Schaltertest	
Funktionen	<ul style="list-style-type: none"> <li>■ Messen, Kalibrieren und Schaltertest</li> <li>■ Min./Max.-Speicher</li> <li>■ Tara</li> <li>■ Min./Max.-Alarm (akustisch/visuell)</li> <li>■ Filter (gleitende Mittelwertbildung)</li> <li>■ Nullpunktgleich</li> <li>■ PowerSave-Funktion</li> </ul>	
Messrate	2 Werte/s	
<b>Kalibrier-Funktion</b>		
Speichergröße	Bis zu 10 Prüflinge	
Prüfpunkte/Prüfling	Bis zu 32 Vergleichsprüfpunkte	
<b>Schaltertest-Funktion</b>		
Schaltpunkte	Ermittlung der Schaltpunkte und automatische Berechnung der Hysterese	
<b>Spannungsversorgung</b>		
Hilfsenergie	Interner Lithium-Ionen Akku (Ladezeit: < 6 h)	
Akkulaufzeit	Ca. 20 Betriebsstunden	
<b>Gehäuse</b>		
Werkstoff	<ul style="list-style-type: none"> <li>■ Schlagfester ABS-Kunststoff</li> <li>■ Folientastatur</li> <li>■ Klarsichtscheibe</li> </ul>	
Schutzart	IP54 (bei geschlossenen Schutzkappen)	
Abmessungen	Siehe technische Zeichnung	
Gewicht	Ohne Sensor	Ca. 850 g [1,87 lbs.]
	Mit Sensor	Ca. 1,080 kg [2,4 lbs.]
<b>Sensorkompatibilität</b>	Kompatibel mit Referenzdrucksensoren Typ CPT6000	

Eingangssignal	
<b>Messeingang Spannung</b>	
Messbereich	<ul style="list-style-type: none"> <li>■ DC 0 ... 1 V</li> <li>■ DC 0 ... 2 V</li> <li>■ DC 0 ... 5 V</li> <li>■ DC 0 ... 10 V</li> </ul>
Genauigkeit	1,0 mV
<b>Messeingang Strom</b>	
Messbereich	<ul style="list-style-type: none"> <li>■ 0 ... 20 mA</li> <li>■ 4 ... 20 mA</li> </ul>
Genauigkeit	5,0 µA

Digitales Anzeigegerät	
<b>Digitalanzeige</b>	
Display-Anzeigebereich	-19999 ... 19999 Digits (abhängig vom angeschlossenen Referenzdrucksensor)
Displayauflösung	Bis zu 6 Stellen; einstellbar
Hintergrundbeleuchtung	Via Menü einstellbar
Anzeigetyp	Großes TFT-Farbdisplay zur Anzeige von Referenz, Prüflingssignal und Zusatzinformation

# 11. Technische Daten

DE

Digitales Anzeigegerät	
<b>Menüsprachen</b>	Via Menü einstellbar <ul style="list-style-type: none"> <li>■ Englisch</li> <li>■ Deutsch</li> <li>■ Spanisch</li> <li>■ Französisch</li> <li>■ Italienisch</li> </ul>
<b>Einheiten</b>	
Druckeinheiten	Via Menü einstellbar <ul style="list-style-type: none"> <li>■ mbar</li> <li>■ bar</li> <li>■ psi</li> <li>■ Pa</li> <li>■ hPa</li> <li>■ kPa</li> <li>■ MPa</li> <li>■ mmHg</li> <li>■ cmHg</li> <li>■ inHg</li> <li>■ mmH<sub>2</sub>O</li> <li>■ cmH<sub>2</sub>O</li> <li>■ mH<sub>2</sub>O</li> <li>■ inH<sub>2</sub>O</li> <li>■ kg/cm<sup>2</sup></li> <li>■ Kundenspezifische Einheit</li> </ul>

Ausgangssignal	
<b>Analogausgang</b>	
Spannungsversorgung	DC 24 V (via Menü zuschaltbar)
<b>Bürde</b>	Min. 20 mA Max. 50 mA
<b>Kommunikation</b>	
Schnittstelle	<ul style="list-style-type: none"> <li>■ RS-232</li> <li>■ USB</li> </ul>
Schnittstellenkabel	<ul style="list-style-type: none"> <li>■ Ohne</li> <li>■ Für RS-232</li> <li>■ Für USB</li> <li>■ Für RS-232 und USB</li> </ul>
Konfigurationssoftware	WIKA-Cal
Baudrate	9600
Messrate	2 Wert/s

Elektrischer Anschluss	
<b>Anschlussart</b>	Via Bananenstecker
<b>Schutzart</b>	IP65 (bei angeschlossenem Kabel)
<b>Sensoranschlusskabel</b>	<ul style="list-style-type: none"> <li>■ Ohne</li> <li>■ Länge 1,1 m [3,61 ft]</li> </ul>

Einsatzbedingungen	
<b>Betriebstemperatur</b>	0 ... 50 °C [32 ... 122 °F]
<b>Umgebungstemperaturbereich</b>	0 ... 50 °C [32 ... 122 °F]
<b>Lagertemperaturbereich</b>	-20 ... +70 °C [-4 ... +158 °F]
<b>Relative Feuchte</b>	0 ... 85 % r. F. (keine Betauung)
<b>Schutzart</b>	<ul style="list-style-type: none"> <li>■ IP20</li> <li>■ IP53 (Front), IP54 (Rückseite)</li> </ul>

11069023.05 01/2023 EN/DE

# 11. Technische Daten

## 10.3 Technische Daten zu Referenzdrucksensor Typ CPT6000

DE

### Genauigkeitsangaben

<b>Genauigkeit</b>	≤ 0,025 % FS (nur in Verbindung mit CPH6000)
<b>Kompensierter Bereich</b>	0 ... 50 °C [32 ... 122 °F]
<b>Referenzbedingungen nach IEC 61298-1 <sup>1)</sup></b>	
Umgebungstemperatur	15 ... 25 °C [59 ... 77 °F]
Atmosphärischer Luftdruck	860 ... 1.060 mbar [12,5 ... 15,4 psig]
Luftfeuchte	45 ... 75 % r. F.
Einbaulage	Senkrechter Einbaulage, Prozessanschluss nach unten

1) Kalibriert bei 23 °C [74 °F] und bei senkrechter Einbaulage, Druckanschluss nach unten.

### Druckbereiche, Relativdruck

bar	
0 ... 0,25	0 ... 60
0 ... 0,4	0 ... 100
0 ... 0,6	0 ... 160
0 ... 1	0 ... 250
0 ... 1,6	0 ... 400
0 ... 2,5	0 ... 600
0 ... 4	0 ... 700
0 ... 6	0 ... 1.000
0 ... 10	0 ... 1.600
0 ... 16	0 ... 2.500
0 ... 20	0 ... 4.000
0 ... 25	0 ... 5.000
0 ... 40	0 ... 6.000

psi	
0 ... 4	0 ... 1.450
0 ... 6	0 ... 2.320
0 ... 10	0 ... 3.630
0 ... 14,5	0 ... 5.800
0 ... 25	0 ... 8.700
0 ... 40	0 ... 10.000
0 ... 60	0 ... 14.500
0 ... 90	0 ... 23.200
0 ... 145	0 ... 36.200
0 ... 250	0 ... 58.000
0 ... 360	0 ... 72.500
0 ... 580	0 ... 87.000
0 ... 870	

### Druckbereiche, Absolutdruck

bar abs.	
-0,8 ... 1,2	0 ... 4
0 ... 0,25	0 ... 6
0 ... 0,4	0 ... 10
0 ... 0,6	0 ... 16
0 ... 1	0 ... 20
0 ... 1,6	0 ... 25
0 ... 2,5	

psi abs.	
-11,6 ... 17,4	0 ... 36
0 ... 4	0 ... 60
0 ... 6	0 ... 90
0 ... 8	0 ... 145
0 ... 14,5	0 ... 230
0 ... 23	0 ... 360

# 11. Technische Daten

## Druckbereiche, Vakuum und +/- Messbereich

bar	
-0,25 ... +0,25	-1 ... 5
-0,4 ... +0,4	-1 ... 9
-0,6 ... +0,6	-1 ... 15
-1 ... 0	-1 ... 20
-1 ... 1,5	-1 ... 24
-1 ... 2,5	-1 ... 39
-1 ... 3	

psi	
-4 ... +4	-14,5 ... 44
-6 ... +6	-14,5 ... 73
-10 ... +10	-14,5 ... 130
-14,5 ... 0	-14,5 ... 220
-14,5 ... 22	-14,5 ... 350
-14,5 ... 36	-14,5 ... 565

DE

Weitere Messbereiche auf Anfrage.

Weitere Angaben zu: Messbereich		
<b>Überdruckgrenze</b>		
3-fach	< 25 bar	< 360 psi
2-fach	> 25 ... ≤ 600 bar	> 360 ... ≤ 8.700 psi
1,5-fach	> 600 ... ≤ 2.500 bar	> 8.700 ... ≤ 36.260 psi
1,2-fach	> 2.500 bar	> 36.260 psi
<b>Vakuumfestigkeit</b>	Ja	

Prozessanschluss		
<b>Norm</b>	EN 837	
<b>Größe</b>	G ½ B	≤ 1.000 bar [≤ 14.500 psi]
	M16 x 1,5 innen, mit Dichtkonus	≥ 1.000 bar [≥ 14.500 psi]
	G 1 B frontbündig	≤ 1,6 bar [≤ 23 psi]
	G ½ B frontbündig	≤ 600 bar [≤ 8.700 psi]
<b>Druckanschlussadapter 1)</b>	<ul style="list-style-type: none"> <li>■ Ohne</li> <li>■ G ½ auf ¼ NPT</li> <li>■ G ½ auf ½ NPT</li> </ul>	
<b>Dichtung</b>	<ul style="list-style-type: none"> <li>■ NBR</li> <li>■ EPDM</li> </ul>	
<b>Weitere Ausführungen</b>	Öl- und fettfrei	
<b>Werkstoff</b>		
Gehäuse	CrNi-Stahl	
Messstoffberührte Teile	CrNi-Stahl (Standard)	Standard
	Elgiloy®	Zusätzlich bei Messbereichen > 25 bar ... ≤ 1.000 bar [> 360 ... ≤ 14.500 psi]
Internes Druckübertragungsmedium	Synthetisches Öl	Bei Messbereichen bis ≤ 25 bar [≤ 360 psi]

1) Nur bei Gewindegröße G ½ B möglich.

# 11. Technische Daten

DE

## Ausgangssignal

### Signalart

Strom	<ul style="list-style-type: none"> <li>■ 4 ... 20 mA</li> <li>■ 0 ... 20 mA</li> </ul>
Spannung	<ul style="list-style-type: none"> <li>■ DC 0 ... 1 V</li> <li>■ DC 0 ... 2 V</li> <li>■ DC 0 ... 5 V</li> <li>■ DC 0 ... 10 V</li> </ul>
Schaltungsart	<ul style="list-style-type: none"> <li>■ 2-Leiter</li> <li>■ 3-Leiter</li> </ul>

## Einsatzbedingungen Typ CPT6000

Messstofftemperaturbereich	-20 ... +80 °C [-4 ... +176 °F]
Umgebungstemperaturbereich	-20 ... +80 °C [-4 ... +176 °F]
Lagertemperaturbereich	-40 ... +85 °C [-40 ... +185 °F]
Relative Feuchte	0 ... 95 % r. F. (keine Betauung)
Schutzart	<ul style="list-style-type: none"> <li>■ IP54</li> <li>■ IP65 (bei angeschlossenem Kabel)</li> </ul>

## 10.4 Netzteil

### Netzteil

#### Zulässige Umgebungsbedingungen

Betriebstemperaturbereich	0 ... 45 °C [32 ... +113 °F]
Lagertemperaturbereich	-40 ... +85 °C [-40 ... +185 °F]
Relative Feuchte	5 ... 95 % r. F. (keine Betauung)

## 10.5 Prüfkabel

### Prüfkabelset (rot und schwarz)

Umfang	<ul style="list-style-type: none"> <li>■ 2 Paar Messleitungen</li> <li>■ 2 Paar Klemmstecker</li> <li>■ 2 Paar Krokodilklemmen</li> </ul>	
Betriebstemperatur	-15 ... +70 °C [-30 ... +158 °F]	
Abmessungen	4 x 500 mm [0,16 x 19,69 in] 4 x 300 mm [0,16 x 11,8 in]	
Nennspannung	<ul style="list-style-type: none"> <li>■ DC 60 V</li> <li>■ AC 30 V</li> </ul>	
Nennstrom	Messleitungen	32 A
	Krokodilklemmen	5 A



# 11. Technische Daten

## 10.6 Zulassungen

Logo	Beschreibung	Region
CE	<b>EU-Konformitätserklärung für Typ CPH6000</b>	Europäische Union
	EMV-Richtlinie EN 61326 Emission (Gruppe 1, Klasse B) und Störfestigkeit (tragbare Messeinrichtung)	
	RoHS-Richtlinie	
CE	<b>EU-Konformitätserklärung für Typ CPT6000</b>	Europäische Union
	EMV-Richtlinie EN 61326 Emission (Gruppe 1, Klasse B) und Störfestigkeit (Industriebereiche)	
	Druckgeräteichtlinie PS > 200 bar; Modul A, druckhaltendes Ausrüstungsteil	
	RoHS-Richtlinie	
UK CA	<b>UKCA für CPH6000</b>	Vereinigtes Königreich
	Electromagnetic compatibility regulations	
	Restriction of hazardous substances (RoHS) regulations	
UK CA	<b>UKCA für CPT6000</b>	Vereinigtes Königreich
	Electromagnetic compatibility regulations	
	Pressure equipment (safety) regulations	
	Restriction of hazardous substances (RoHS) regulations	

DE

## 10.7 Zertifikate/Zeugnisse

Zertifikate/Zeugnisse	
<b>Kalibrierung</b>	
CPT6000	<ul style="list-style-type: none"> <li>■ 3.1-Abnahmeprüfzeugnis nach EN 10204 (Werkskalibrierung)</li> <li>■ DAkkS-Kalibrierzertifikat (Rückführbar und akkreditiert nach ISO/IEC 17025)</li> </ul>
CPH6000, elektrisches Modul	<ul style="list-style-type: none"> <li>■ 3.1-Abnahmeprüfzeugnis nach EN 10204 (Werkskalibrierung)</li> <li>■ DAkkS-Kalibrierzertifikat (Rückführbar und akkreditiert nach ISO/IEC 17025)</li> </ul>
<b>Empfohlenes Kalibrierintervall</b>	1 Jahr (abhängig von den Nutzungsbedingungen)

### Zertifizierte Genauigkeit

Pro Referenzdrucksensor wird die Genauigkeit in einem Werkskalibrierschein zertifiziert und dem Gerät beigelegt.

Weitere technische Daten siehe WIKA-Datenblatt CT 15.01 und Bestellunterlagen.

→ Zulassungen und Zertifikate siehe Webseite

# 11. Technische Daten

## 10.8 Verfügbarer Druckbereich und Auflösung

### Druckbereich und Faktoren

<b>Relativdruck</b>	-1 ... +20 bar (-14,5 ... +300 psi)	
<b>Überdrucksicherheit</b>	40 bar (580 psi)	
<b>Einheit</b>	Umrechnungsfaktor und Auflösung	
psi	1	300,00
bar	0,06894757	20,684
mbar	68,94757	20.684
kPa	6,894757	2.068,4
MPa	0,00689476	2,0684
kg/cm <sup>2</sup>	0,07030697	21,092
cmH <sub>2</sub> O (4 °C)	70,3089	21.093
cmH <sub>2</sub> O (20 °C)	70,4336	21.130
inH <sub>2</sub> O (4 °C)	27,68067	8.304,2
inH <sub>2</sub> O (20 °C)	27,72977	8.318,9
inH <sub>2</sub> O (60 °C)	27,70759	8.312,3
mmHg (0 °C)	51,71508	15.515
inHg (0 °C)	2,03602	610,81

### Umrechnungsfaktor bezogen auf die Einheit bar

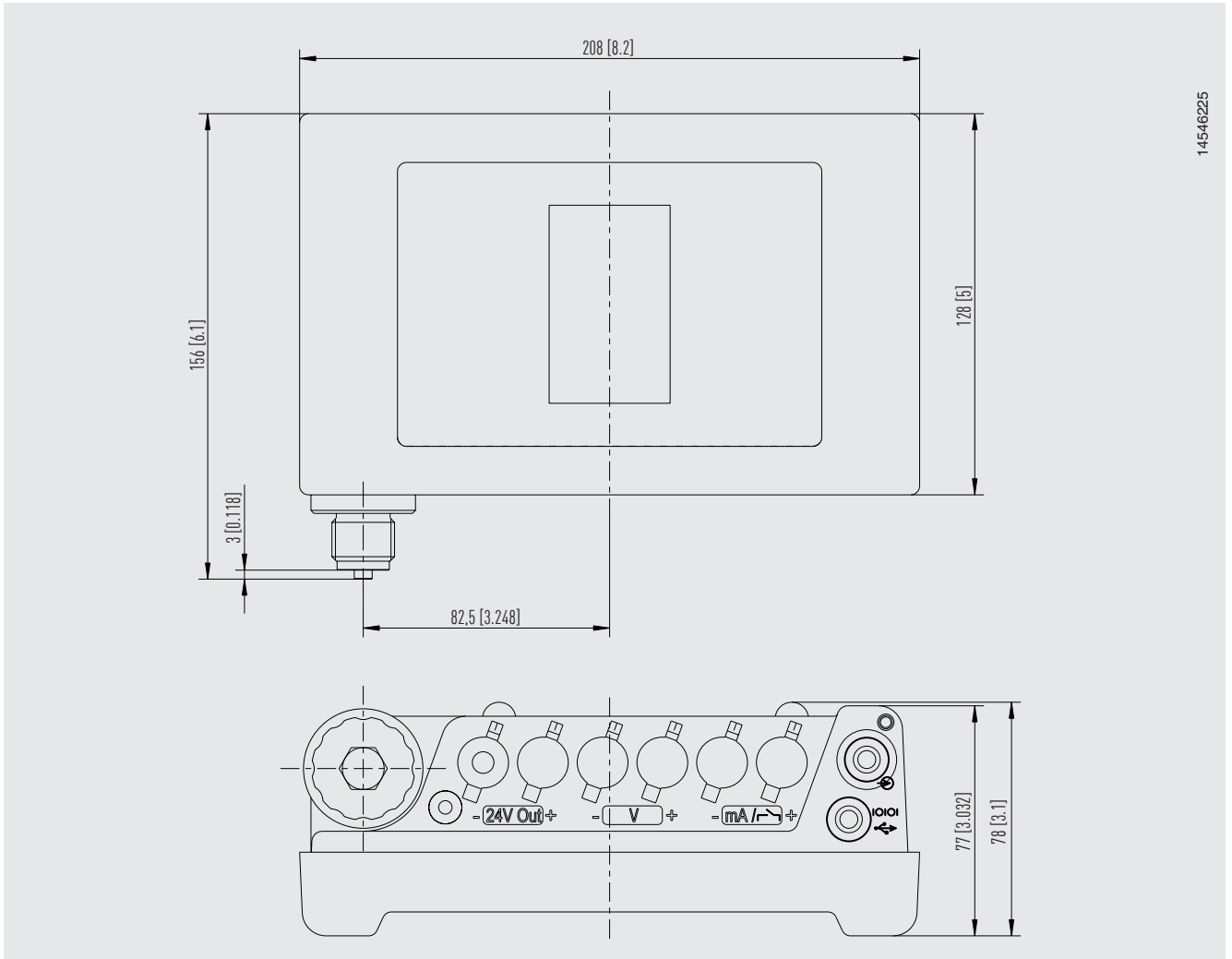
bar	1,00000E+00
mbar	1,00000E-03
psi	6,89475E-02
Pa	1,00000E-05
kPa	1,00000E-02
hPa	1,00000E-03
MPa	1,00000E+01
kg/cm <sup>2</sup>	9,80665E-01
inHg (0 °C)	3,37690E-02
inH <sub>2</sub> O (60 °C)	2,48800E-03
mH <sub>2</sub> O (4 °C)	9,80670E-02
mmH <sub>2</sub> O (0 °C)	1,33322E-03
mmH <sub>2</sub> O (4 °C)	9,80670E-05
cmHg (0 °C)	1,33322E-02
cmH <sub>2</sub> O (4 °C)	9,80670E-04

DE

# 11. Technische Daten

## 10.9 Abmessungen in mm [in]

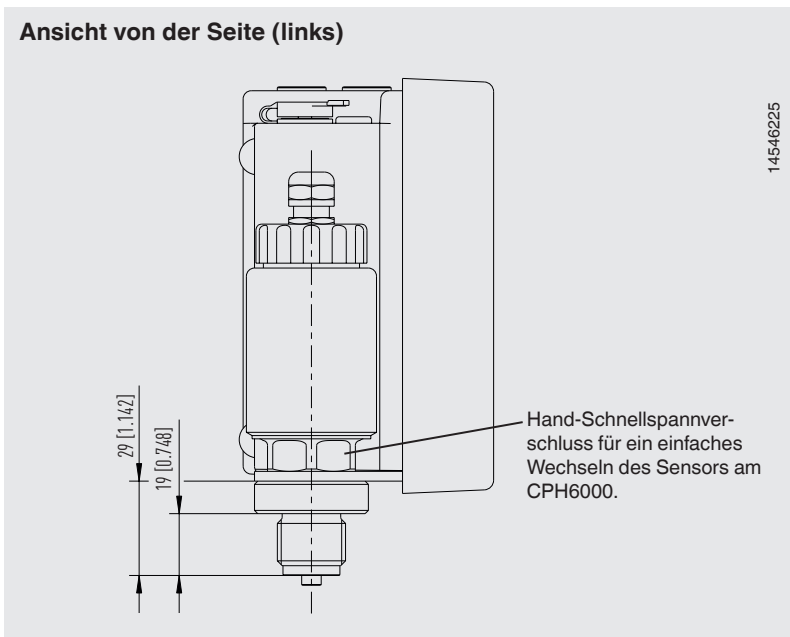
### 10.9.1 Digitales Anzeigergerät CPH6000



14546225

DE

### Ansicht von der Seite (links)

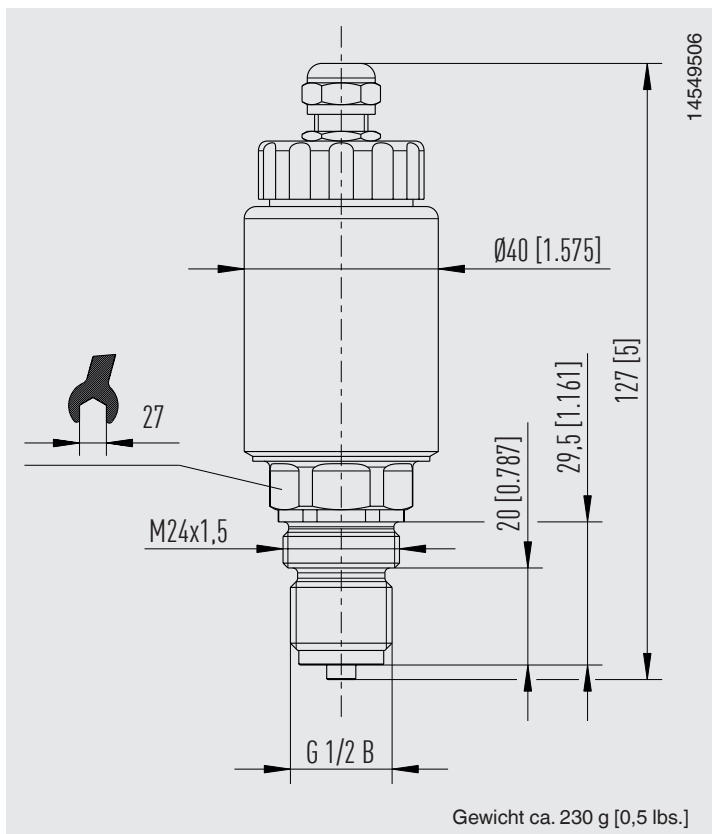


14546225

11069023.05 01/2023 EN/DE

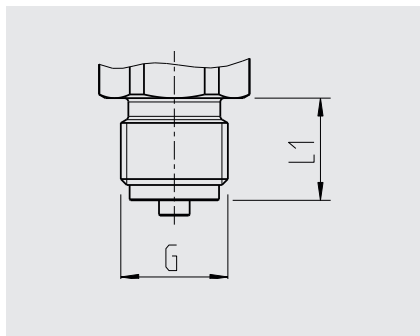
# 11. Technische Daten

## 10.9.2 Referenzdrucksensor CPT6000

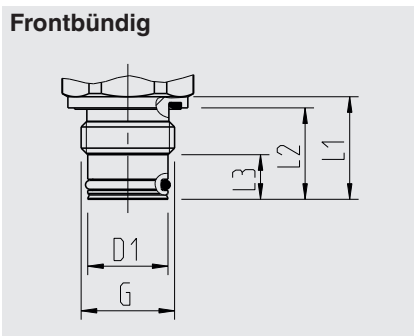


DE

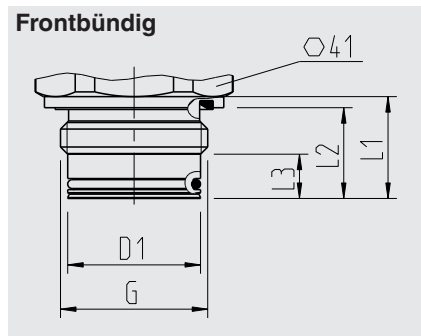
## 10.9.3 Prozessanschlüsse



G	L1
G ½ B	20 [0,79]
M16 x 1,5	20 [0,79]



G	L1	L2	L3	D1
G ½ B	23 [0,9]	20,5 [0,81]	10 [0,39]	18 [0,71]



G	L1	L2	L3	D1
G 1 B	23 [0,9]	20,5 [0,81]	10 [0,39]	30 [1,18]

→ Angaben zu Einschraubblöchern und Einschweißstutzen siehe technische Informationen IN 00.14 unter [www.wika.de](http://www.wika.de).


## 12. Zubehör

### 11. Zubehör

Beschreibung		Bestellcode
		CPH-A-60
	<b>Netzteil</b> Erfüllt die Anforderungen der Euro-Norm, UK-Norm und US-Norm	-4-
	<b>Dichtungsset</b> Bestehend aus: ■ 4 x USIT-Dichtung G ½ ■ 2 x USIT-Dichtung G ¼ ■ Kunststoffbehälter	-D-
	<b>Prüfkabelset (rot und schwarz)</b> Bestehend aus: ■ 2 Paar Messleitungen ■ 2 Paar Klemmstecker ■ 2 Paar Krokodilklemmen	-T-
	<b>Sensoranschlusskabel</b> Für Referenzdrucksensor Typ CPT6000 Länge 1,1 m [3,61 ft]	-S-
	<b>RS-232-Schnittstellenkabel</b>	-R-
	<b>USB-Schnittstellenkabel</b>	-U-
-	<b>IP54-Ausführung (Schutzkappen)</b> Nachrüstung der Kappen nur bei WIKA	-I-
-	<b>Hand-Schnellspannverschluss für Drucksensor</b>	-H-
-	<b>Tragesystem</b> Zum Umhängen des CPH6000	-C-
	<b>Kunststoffkoffer</b> <b>Variante 1</b> Für 1 x Hand-Held, max. 5 x Drucksensoren, Zubehör Abmessung: 340 x 275 x 83 mm [13,39 x 10,83 x 3,27 in]	-K-

DE

## 12. Zubehör

Beschreibung		Bestellcode
	<b>Transportkoffer aus Aluminium</b> <b>Variante 2</b> Für 1 x Hand-Held, max. 5 x Drucksensoren, 1 x pneumatische Handprüfpumpe CPP7-H oder CPP30, Zubehör Abmessung: 450 x 360 x 123 mm [17,72 x 13,78 x 4,84 in]	-L-
	<b>Variante 3</b> Für 1 x Hand-Held, max. 5 x Drucksensoren, 1 x hydraulische Handprüfpumpe CPP700-H/ CPP1000-H, Zubehör Abmessung: 450 x 360 x 140 mm [17,72 x 13,78 x 5,51 in]	-N-
	<b>Variante 4</b> Für 1 x Hand-Held, max. 5 x Drucksensoren, 1 x hydraulische Handspindelpumpe CPP1000-L, Zubehör Abmessung: 375 x 425 x 170 mm [14,76 x 16,73 x 6,69 in]	-M-
	<b>Bestellangaben für Ihre Anfrage:</b>	
1. Bestellcode: CPH-A-60 2. Option:		↓ [ ]

Weiteres Zubehör, siehe aktuelle WIKA-Preisliste: Kalibriertechnik.



WIKA subsidiaries worldwide can be found online at [www.wika.com](http://www.wika.com).  
WIKA-Niederlassungen weltweit finden Sie online unter [www.wika.de](http://www.wika.de).



**Importer for UK**  
**WIKA Instruments Ltd**  
Unit 6 and 7 Goya Business park  
The Moor Road  
Sevenoaks  
Kent  
TN14 5GY



**WIKA Alexander Wiegand SE & Co. KG**  
Alexander-Wiegand-Straße 30  
63911 Klingenberg • Germany  
Tel. +49 9372 132-0  
[info@wika.de](mailto:info@wika.de)  
[www.wika.de](http://www.wika.de)