

Operating instructions  
Betriebsanleitung  
Mode d'emploi  
Manual de instrucciones  
Manuale d'uso

Air velocity meter, model A2G-20	EN
Luftgeschwindigkeitsmessgerät, Typ A2G-20	DE
Instrument de mesure de la vitesse de l'air, type A2G-20	FR
Instrumento de medición de velocidad del aire, modelo A2G-20	ES
Misuratore della velocità dell'aria, modello A2G-20	IT

CE



air2guide

Model A2G-20

**WIKAI**

Part of your business

<b>EN</b>	<b>Operating instructions model A2G-20</b>	<b>Page</b>	<b>3 - 22</b>
<b>DE</b>	<b>Betriebsanleitung Typ A2G-20</b>	<b>Seite</b>	<b>23 - 42</b>
<b>FR</b>	<b>Mode d'emploi type A2G-20</b>	<b>Page</b>	<b>43 - 62</b>
<b>ES</b>	<b>Manual de instrucciones modelo A2G-20</b>	<b>Página</b>	<b>63 - 82</b>
<b>IT</b>	<b>Manuale d'uso modello A2G-20</b>	<b>Pagina</b>	<b>83 - 102</b>

© 04/2011 WIKA Alexander Wiegand SE & Co. KG  
 All rights reserved. / Alle Rechte vorbehalten.  
 WIKA® is a registered trademark in various countries.  
 WIKA® ist eine geschützte Marke in verschiedenen Ländern.

Prior to starting any work, read the operating instructions!  
 Keep for later use!

Vor Beginn aller Arbeiten Betriebsanleitung lesen!  
 Zum späteren Gebrauch aufbewahren!

Lire le mode d'emploi avant de commencer toute opération !  
 A conserver pour une utilisation ultérieure !

¡Leer el manual de instrucciones antes de comenzar cualquier trabajo!  
 ¡Guardar el manual para una eventual consulta!

Prima di iniziare ad utilizzare lo strumento, leggere il manuale d'uso!  
 Conservare per future consultazioni!

# Contents

---

<b>1. General information</b>	<b>4</b>
<b>2. Design and function</b>	<b>5</b>
<b>3. Safety</b>	<b>7</b>
<b>4. Transport, packaging and storage</b>	<b>11</b>
<b>5. Commissioning, operation</b>	<b>12</b>
<b>6. Maintenance and cleaning</b>	<b>18</b>
<b>7. Dismounting, return and disposal</b>	<b>19</b>
<b>8. Specifications</b>	<b>21</b>

---

# 1. General information

## 1. General information

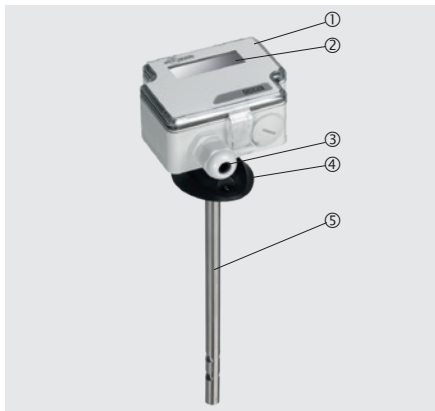
EN

- The air velocity meter described in the operating instructions has been manufactured using state-of-the-art technology. All components are subject to stringent quality and environmental criteria during production. Our management systems are certified to ISO 9001 and ISO 14001.
- These operating instructions contain important information on handling the instrument. Working safely requires that all safety instructions and work instructions are observed.
- Observe the relevant local accident prevention regulations and general safety regulations for the instrument's range of use.
- The operating instructions are part of the product and must be kept in the immediate vicinity of the instrument and readily accessible to skilled personnel at any time. Pass the operating instructions on to the next operator or owner of the instrument.
- Skilled personnel must have carefully read and understood the operating instructions prior to beginning any work.
- The general terms and conditions contained in the sales documentation shall apply.
- Subject to technical modifications.
- Further information:
  - Internet address: [www.wika.de](http://www.wika.de) / [www.wika.com](http://www.wika.com)  
[www.air2guide.com](http://www.air2guide.com)
  - Relevant data sheet: SP 69.06

## 2. Design and function

### 2. Design and function

#### 2.1 Overview



EN

- ① Case
- ② LC display (optional)
- ③ Cable entry for electrical connection
- ④ Mounting flange
- ⑤ Probe sleeve

#### 2.2 Description

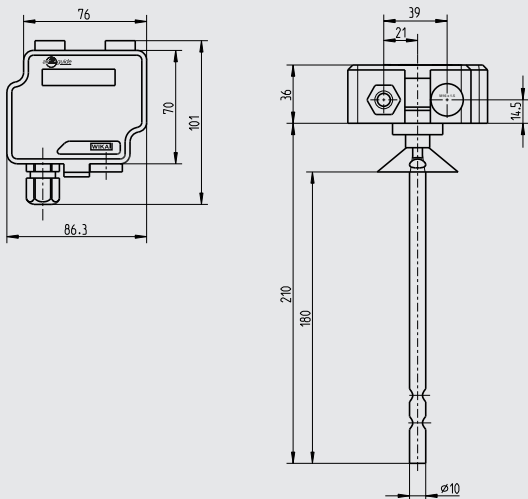
The model A2G-20 air velocity meter is used for measuring flow rates of gaseous media in ventilation and air-conditioning applications. In addition, the A2G-20 features integrated temperature measurement.

Electrical output signals for both measurands (DC 0 ... 10 V or 4 ... 20 mA; adjustable at the instrument via jumpers) enable the direct connection to control systems or the building automation system.

## 2. Design and function

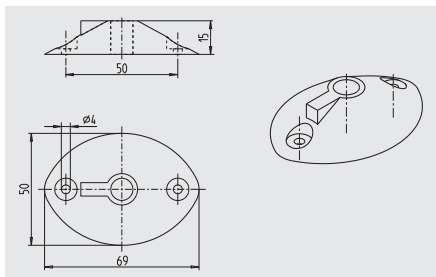
### 2.3 Dimensions in mm

EN



40340201.01

### Mounting flange



40339556.03 05/2021 EN/DE/FR/ES/IT

## 2. Design and function / 3. Safety

### 2.4 Scope of delivery

- Air velocity meter
- Mounting flange
- Available in three variants
  - Without display
  - With display
  - With display and switching output

Cross-check scope of delivery with delivery note.

EN

## 3. Safety

### 3.1 Explanation of symbols



#### **WARNING!**

... indicates a potentially dangerous situation that can result in serious injury or death, if not avoided.



#### **CAUTION!**

... indicates a potentially dangerous situation that can result in light injuries or damage to property or the environment, if not avoided.



#### **DANGER!**

... identifies hazards caused by electrical power. Should the safety instructions not be observed, there is a risk of serious or fatal injury.



#### **WARNING!**

... indicates a potentially dangerous situation that can result in burns, caused by hot surfaces or liquids, if not avoided.



#### **Information**

... points out useful tips, recommendations and information for efficient and trouble-free operation.

## 3. Safety

EN

### 3.2 Intended use

This air velocity meter is used for measuring the air velocity and temperature in air and other non-flammable and non-aggressive gases of ventilation and air-conditioning systems (e.g. in fresh air/exhaust air ducts).

This instrument is not permitted to be used in hazardous areas!

The instrument has been designed and built solely for the intended use described here, and may only be used accordingly.

The technical specifications contained in these operating instructions must be observed. Improper handling or operation of the instrument outside of its technical specifications requires the instrument to be taken out of service immediately and inspected by an authorised WIKA service engineer.

The manufacturer shall not be liable for claims of any type based on operation contrary to the intended use.

### 3.3 Improper use



#### **WARNING!**

#### **Injuries through improper use**

Improper use of the instrument can lead to hazardous situations and injuries.

- ▶ Refrain from unauthorised modifications to the instrument.
- ▶ Do not use the instrument within hazardous areas.
- ▶ Do not use the instrument with abrasive or viscous media.

Any use beyond or different to the intended use is considered as improper use.

Do not use this instrument in safety or emergency stop devices.



## 3. Safety

EN

### 3.4 Responsibility of the operator

The instrument is used in the industrial sector. The operator is therefore responsible for legal obligations regarding safety at work.

The safety instructions within these operating instructions, as well as the safety, accident prevention and environmental protection regulations for the application area must be maintained.

The operator is obliged to maintain the product label in a legible condition.

To ensure safe working on the instrument, the operating company must ensure

- that the operating personnel are regularly instructed in all topics regarding work safety, first aid and environmental protection and know the operating instructions and, in particular, the safety instructions contained therein.
- that the instrument is suitable for the particular application in accordance with its intended use.
- that personal protective equipment is available.

### 3.5 Personnel qualification



#### **WARNING!**

#### **Risk of injury should qualification be insufficient**

Improper handling can result in considerable injury and damage to property.

- ▶ The activities described in these operating instructions may only be carried out by skilled personnel who have the qualifications described below.

## 3. Safety

EN

### Skilled electrical personnel

Skilled electrical personnel are understood to be personnel who, based on their technical training, know-how and experience as well as their knowledge of country-specific regulations, current standards and directives, are capable of carrying out work on electrical systems and independently recognising and avoiding potential hazards. The skilled electrical personnel have been specifically trained for the work environment they are working in and know the relevant standards and regulations. The skilled electrical personnel must comply with current legal accident prevention regulations.

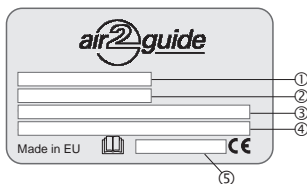
### Operating personnel

The personnel trained by the operator are understood to be personnel who, based on their education, knowledge and experience, are capable of carrying out the work described and independently recognising potential hazards.

Special operating conditions require further appropriate knowledge, e.g. of aggressive media.

## 3.6 Labelling, safety marks

### Product label (example)



- |                   |                  |
|-------------------|------------------|
| ① Model           | ④ Supply voltage |
| ② Measuring range | ⑤ Serial number  |
| ③ Output signal   |                  |



Before mounting and commissioning the instrument, ensure you read the operating instructions!

## 4. Transport, packaging and storage

EN

### 4. Transport, packaging and storage

#### 4.1 Transport

Check the instrument for any damage that may have been caused by transport.

Obvious damage must be reported immediately.



#### **CAUTION!**

#### **Damage through improper transport**

With improper transport, a high level of damage to property can occur.

- ▶ When unloading packed goods upon delivery as well as during internal transport, proceed carefully and observe the symbols on the packaging.
- ▶ With internal transport, observe the instructions in chapter 4.2 "Packaging and storage".

If the instrument is transported from a cold into a warm environment, the formation of condensation may result in instrument malfunction. Before putting it back into operation, wait for the instrument temperature and the room temperature to equalise.

#### 4.2 Packaging and storage

Do not remove packaging until just before mounting.

Keep the packaging as it will provide optimum protection during transport (e.g. change in installation site, sending for repair).

#### **Permissible conditions at the place of storage:**

Storage temperature: -20 ... +70 °C

#### **Avoid exposure to the following factors:**

- Direct sunlight or proximity to hot objects
- Mechanical vibration, mechanical shock (putting it down hard)
- Soot, vapour, humidity, dust and corrosive gases
- Hazardous environments, flammable atmospheres

## 4. Transport ... / 5. Commissioning, operation

Store the instrument in its original packaging in a location that fulfils the conditions listed above. If the original packaging is not available, pack and store the instrument as described below:

EN

1. Wrap the instrument in an antistatic plastic film.
2. Place the instrument, along with the shock-absorbent material, in the packaging.
3. If stored for a prolonged period of time (more than 30 days), place a bag containing a desiccant inside the packaging.

## 5. Commissioning, operation



### **WARNING!**

#### **Physical injuries and damage to property and the environment caused by hazardous media**

Upon contact with hazardous media (e.g. oxygen, acetylene, flammable or toxic substances), harmful media (e.g. corrosive, toxic, carcinogenic, radioactive), and also with refrigeration plants and compressors, there is a danger of physical injuries and damage to property and the environment.

Should a failure occur, aggressive media with extremely high temperature and under high pressure or vacuum may be present at the instrument.

- ▶ For these media, in addition to all standard regulations, the appropriate existing codes or regulations must also be followed.



### **CAUTION!**

#### **Damage to the instrument**

When working on open electric circuits (printed circuit boards) there is a risk of damaging sensitive electronic components through electrostatic discharge.

- ▶ The correct use of grounded working surfaces and personal armbands is required.

## 5. Commissioning, operation



### DANGER!

#### Danger to life caused by electric current

Upon contact with live parts, there is a direct danger to life.

- ▶ The instrument may only be installed and mounted by skilled personnel.
- ▶ Operation using a defective power supply unit (e.g. short-circuit from the mains voltage to the output voltage) can result in life-threatening voltages at the instrument!

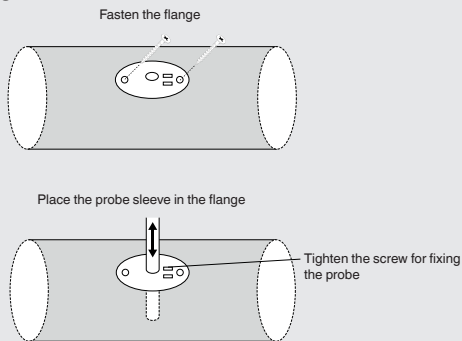
EN

A prerequisite for the commissioning is a proper installation of all electrical supply, control and measuring lines and of the pressure connection lines. Before commissioning, check the leak tightness of the pressure connection lines.

### 5.1 Mechanical mounting

The air velocity meter is installed in the duct. The cable for the supply voltage and the cable for the relay connection (optional) must be run separately when high voltages (not safety extra-low voltage) should be switched with the relay. Both cables have their own cable entry.

#### Flange mounting



## 5. Commissioning, operation

EN

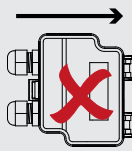
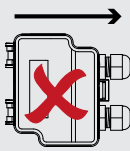
### Instrument orientation

Air flow  
direction



Strain relief downwards

Air flow  
direction



### 5.2 Electrical mounting

The instruments are designed to operate with safety extra-low voltage (SELV). When wiring up the instruments, the technical specifications for those instruments should be followed. In the case of a sensor with transmitter, as a rule, the transmitter should be operated in the middle of the measuring range, since deviations can occur at the range limits. The ambient temperature of the transmitter electronics should be kept constant.

The transmitters must be operated at a constant operating voltage ( $\pm 0.2$  V). Current/voltage spikes from switching the supply voltage on or off must be prevented by the customer.

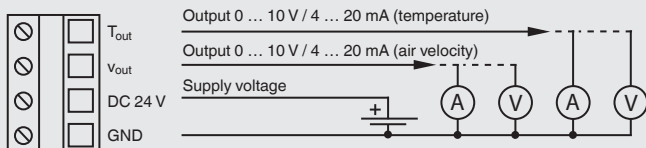
### Connection diagram

The air velocity meter has two strain reliefs on the underside. The left strain relief is used for the current input and the signal output ( $T_{out}/V_{out}$ ) and the right one for the relay. For CE conformity, a properly grounded shielding cable is required.

1. Unscrew the strain relief and run the cable.
2. Connect wires as shown in the illustration below.
3. Tighten down the strain relief.

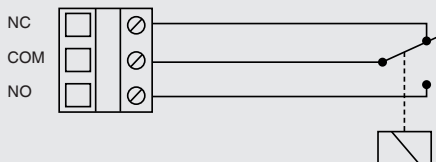
## 5. Commissioning, operation

### Output signal



EN

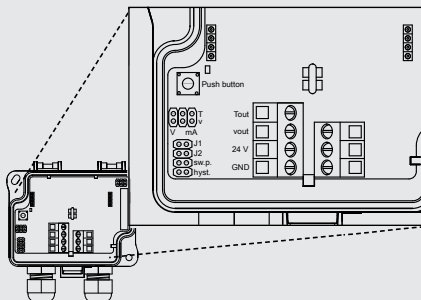
### Relay switching output



### 5.3 Configuration

The configuration of the air velocity meter includes the setting of the measuring range and the measuring mode as well as the option with relay via the configuration elements.

### Configuration elements

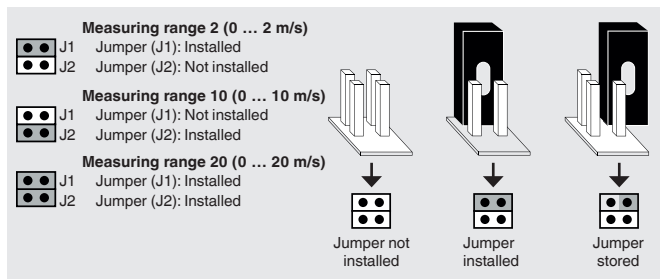


## 5. Commissioning, operation

### Measuring range

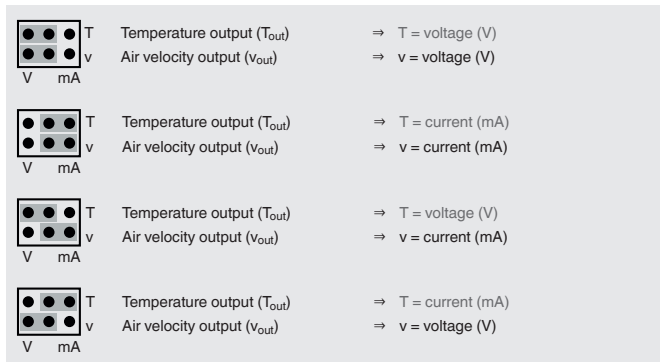
The measuring range is set by installing jumpers on the corresponding configuration elements J1 and J2.

EN



### Measuring mode

The desired output signal for both the temperature ( $T_{out}$ ) and air velocity ( $v_{out}$ ) outputs is selected by installing jumpers on the corresponding configuration elements T and v. Both outputs must be configured separately.





## 5. Commissioning, operation

### Option with relay



The relay parameters have to be set before voltage is connected to the relay connections. This ensures human safety against electric shock.

EN

#### 1. Setting the switch point

- Place a jumper on the “switching threshold pins” (sw.p.).
  - Press the “push button” in order to select the switch point for the relay.
- ⇒ The selected value (m/s) will be shown on the display.
- Store the jumper used, once the configuration is complete.

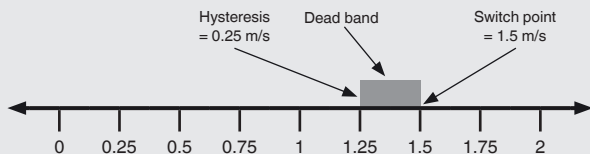
#### 2. Setting the hysteresis

- Place a jumper on the “hysteresis pins” (hyst.).
  - Press the “push button” in order to select the hysteresis for the relay.
- ⇒ The selected value (m/s) will be shown on the display.
- Store the jumper used, once the configuration is complete.

### Hysteresis

The hysteresis represents a dead band  $\leq 20\%$  around the selected range, which is anchored at the switch point (sw.p.) and extends around it by the selected hysteresis range (hyst.).

#### Hysteresis (example)



## 5. Commissioning ... / 6. Maintenance and cleaning

EN

In the example shown, the switch point is set to 1.5 m/s and the hysteresis to 0.25 m/s. When the velocity rises above 1.5 m/s, the relay opens or closes. When the velocity subsequently drops, the relay only opens or closes again if the velocity falls below the hysteresis range (to 1.25 m/s). This prevents a fast change-over.

The maximum setting of the hysteresis is based on the selected range:

Range in m/s	Maximum hysteresis in m/s
0 - 2	0.4
0 - 10	2
0 - 20	4

## 6. Maintenance and cleaning



For contact details see chapter 1 “General information” or the back page of the operating instructions.

### 6.1 Maintenance

This instrument is maintenance-free and offers long service life provided it is handled and operated properly.

Repairs must only be carried out by the manufacturer or appropriately qualified skilled personnel.

### 6.2 Cleaning



#### **CAUTION!** **Physical injuries and damage to property and the environment**

Improper cleaning may lead to physical injuries and damage to property and the environment. Residual media in the dismounted instrument can result in a risk to persons, the environment and equipment.

- ▶ Carry out the cleaning process as described below.

## 6. ... / 7. Dismounting, return and disposal

1. Prior to cleaning, switch off and disconnect the instrument from the mains.
2. Use the requisite protective equipment.
3. Clean the instrument with a moist cloth (soapy water).  
Electrical connections must not come into contact with moisture!

EN



### **CAUTION!**

#### **Damage to the instrument**

Improper cleaning may lead to damage to the instrument!

- ▶ Do not use any aggressive cleaning agents.
- ▶ Do not use any hard or pointed objects for cleaning.

4. Wash or clean the dismantled instrument, in order to protect persons and the environment from exposure to residual media.

## 7. Dismounting, return and disposal

### 7.1 Dismounting



### **WARNING!**

#### **Physical injuries and damage to property and the environment through residual media**

Upon contact with hazardous media (e.g. oxygen, acetylene, flammable or toxic substances), harmful media (e.g. corrosive, toxic, carcinogenic, radioactive), and also with refrigeration plants and compressors, there is a danger of physical injuries and damage to property and the environment.

- ▶ Before storage of the dismantled instrument (following use) wash or clean it, in order to protect persons and the environment from exposure to residual media.
- ▶ Observe the information in the material safety data sheet for the corresponding medium.

## 7. Dismounting, return and disposal

EN



### **WARNING!**

#### **Risk of burns**

During dismounting there is a risk of dangerously hot media escaping.

- ▶ Let the instrument cool down sufficiently before dismounting it!



### **DANGER!**

#### **Danger to life caused by electric current**

Upon contact with live parts, there is a direct danger to life.

- ▶ The dismounting of the instrument may only be carried out by skilled personnel.
- ▶ Remove the instrument once the system has been isolated from power sources.



### **WARNING!**

#### **Physical injury**

When dismounting, there is a danger from aggressive media and high pressures.

- ▶ Observe the information in the material safety data sheet for the corresponding medium.
- ▶ Dismount the instrument when there is no pressure.

### 7.2 Return

#### **Strictly observe the following when shipping the instrument:**

All instruments delivered to WIKA must be free from any kind of hazardous substances (acids, bases, solutions, etc.) and must therefore be cleaned before being returned.



### **WARNING!**

#### **Physical injuries and damage to property and the environment through residual media**

Residual media in the dismantled instrument can result in a risk to persons, the environment and equipment.

- ▶ With hazardous substances, include the material safety data sheet for the corresponding medium.
- ▶ Clean the instrument, see chapter 6.2 "Cleaning".

## 7. Dismounting ... / 8. Specifications

When returning the instrument, use the original packaging or a suitable transport packaging.

### To avoid damage:

1. Wrap the instrument in an antistatic plastic film.
2. Place the instrument, along with the shock-absorbent material, in the packaging.  
Place shock-absorbent material evenly on all sides of the transport packaging.
3. If possible, place a bag, containing a desiccant, inside the packaging.
4. Label the shipment as transport of a highly sensitive measuring instrument.



Information on returns can be found under the heading "Service" on our local website.

### 7.3 Disposal

Incorrect disposal can put the environment at risk.

Dispose of instrument components and packaging materials in an environmentally compatible way and in accordance with the country-specific waste disposal regulations.



Do not dispose of with household waste. Ensure a proper disposal in accordance with national regulations.

## 8. Specifications

### Air velocity meter, model A2G-20

<b>Version</b>	<ul style="list-style-type: none"><li>■ Version without LC display</li><li>■ Version with LC display</li><li>■ Version with LC display and switching output</li></ul>
<b>Measuring element</b>	Pt1000 (air velocity) and NTC10k (temperature)
<b>Measuring range</b>	
Air velocity	0 ... 2 m/s, 0 ... 10 m/s or 0 ... 20 m/s can be selected at the instrument via jumpers
Temperature	0 ... 50 °C [32 ... 122 °F]

## 8. Specifications

### Air velocity meter, model A2G-20

#### Accuracy

Air velocity	Measuring range 0 ... 2 m/s: < 0.2 m/s +5 % of reading Measuring range 0 ... 10 m/s: < 0.5 m/s +5 % of reading Measuring range 0 ... 20 m/s: < 1.0 m/s +5 % of reading
--------------	--

Temperature <sup>1)</sup>	< 0.5 °C [0.9 °F] (v > 0.5 m/s)
---------------------------	---------------------------------

Supply voltage $U_B$	DC 24 V/AC 24 V $\pm$ 10 %
----------------------	----------------------------

#### Output signal

Air velocity	DC 0 ... 10 V (linear to m/s): Load min. 1 k $\Omega$ 4 ... 20 mA (linear to m/s): Load max. 400 $\Omega$
--------------	--

Temperature	DC 0 ... 10 V (linear to °C): Load min. 1 k $\Omega$ 4 ... 20 mA (linear to °C): Load max. 400 $\Omega$
-------------	--

Electrical connection	Screw terminals Cable gland M16 max. 1.5 mm <sup>2</sup>
-----------------------	--

Switching output	3 screw terminals max. 1.5 mm <sup>2</sup> (NC, COM, NO) Relay (potential-free, change-over contact, max. AC 250 V, 6 A, DC 30 V, 6 A, adjustable switching threshold and hysteresis)
------------------	--

Case	Plastic (ABS)
------	---------------

LC display	3 ½-digit display with backlighting Size: 46.7 x 12.7 mm
------------	---

#### Permissible temperatures

Medium	0 ... 50 °C, max. 95 % r. h.
--------	------------------------------

Ambient	0 ... 50 °C, max. 95 % r. h.
---------	------------------------------

Ingress protection	IP54 per IEC/EN 60529
--------------------	-----------------------

Weight	220 g
--------	-------

Type of mounting	Duct installation via mounting flange
------------------	---------------------------------------

1) The instrument is calibrated at 22 °C [71.6 °F].

For further specifications see WIKA data sheet SP 69.06 and the order documentation.

# Inhalt

<b>1. Allgemeines</b>	<b>24</b>
<b>2. Aufbau und Funktion</b>	<b>25</b>
<b>3. Sicherheit</b>	<b>27</b>
<b>4. Transport, Verpackung und Lagerung</b>	<b>31</b>
<b>5. Inbetriebnahme, Betrieb</b>	<b>32</b>
<b>6. Wartung und Reinigung</b>	<b>38</b>
<b>7. Demontage, Rücksendung und Entsorgung</b>	<b>39</b>
<b>8. Technische Daten</b>	<b>41</b>

# 1. Allgemeines

## 1. Allgemeines

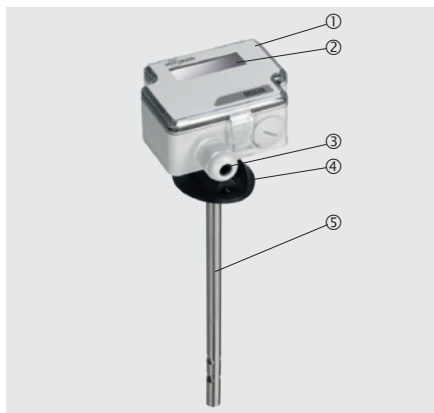
DE

- Das in der Betriebsanleitung beschriebene Luftgeschwindigkeitsmessgerät wird nach dem aktuellen Stand der Technik gefertigt. Alle Komponenten unterliegen während der Fertigung strengen Qualitäts- und Umweltkriterien. Unsere Managementsysteme sind nach ISO 9001 und ISO 14001 zertifiziert.
- Diese Betriebsanleitung gibt wichtige Hinweise zum Umgang mit dem Gerät. Voraussetzung für sicheres Arbeiten ist die Einhaltung aller angegebenen Sicherheitshinweise und Handlungsanweisungen.
- Die für den Einsatzbereich des Gerätes geltenden örtlichen Unfallverhütungsvorschriften und allgemeinen Sicherheitsbestimmungen einhalten.
- Die Betriebsanleitung ist Produktbestandteil und muss in unmittelbarer Nähe des Gerätes für das Fachpersonal jederzeit zugänglich aufbewahrt werden. Betriebsanleitung an nachfolgende Benutzer oder Besitzer des Gerätes weitergeben.
- Das Fachpersonal muss die Betriebsanleitung vor Beginn aller Arbeiten sorgfältig durchgelesen und verstanden haben.
- Es gelten die allgemeinen Geschäftsbedingungen in den Verkaufsunterlagen.
- Technische Änderungen vorbehalten.
- Weitere Informationen:
  - Internet-Adresse: [www.wika.de](http://www.wika.de) / [www.wika.com](http://www.wika.com)  
[www.air2guide.com](http://www.air2guide.com)
  - Zugehöriges Datenblatt: SP 69.06



### 2. Aufbau und Funktion

#### 2.1 Überblick



- ① Gehäuse
- ② LC-Display (optional)
- ③ Kabeleinführung für elektrischen Anschluss
- ④ Montageflansch
- ⑤ Fühlerhülse

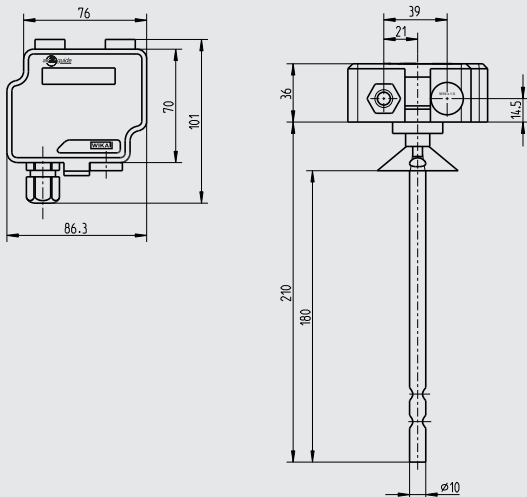
#### 2.2 Beschreibung

Das Luftgeschwindigkeitsmessgerät Typ A2G-20 wird zur Messung von Strömungsgeschwindigkeiten gasförmiger Medien in der Luft- und Klimatechnik verwendet. Zusätzlich verfügt das A2G-20 über eine integrierte Temperaturmessung.

Elektrische Ausgangssignale für beide Messgrößen (DC 0 ... 10 V oder 4 ... 20 mA; über Jumper am Gerät einstellbar) erlauben den direkten Anschluss an Steuer/Regelsysteme oder die Gebäudeautomation.

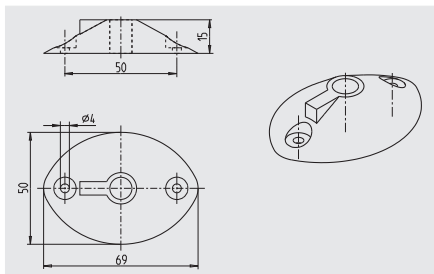
## 2. Aufbau und Funktion

### 2.3 Abmessungen in mm



40340201\_01

### Montageflansch



### 2.4 Lieferumfang

- Luftgeschwindigkeitsmessgerät
- Montageflansch
- Erhältlich in drei Varianten
  - Ohne Anzeige
  - Mit Anzeige
  - Mit Anzeige und Schaltausgang

Lieferumfang mit dem Lieferschein abgleichen.

## 3. Sicherheit

### 3.1 Symbolerklärung



#### **WARNUNG!**

... weist auf eine möglicherweise gefährliche Situation hin, die zum Tod oder zu schweren Verletzungen führen kann, wenn sie nicht gemieden wird.



#### **VORSICHT!**

... weist auf eine möglicherweise gefährliche Situation hin, die zu geringfügigen oder leichten Verletzungen bzw. Sach- und Umweltschäden führen kann, wenn sie nicht gemieden wird.



#### **GEFAHR!**

... kennzeichnet Gefährdungen durch elektrischen Strom. Bei Nichtbeachtung der Sicherheitshinweise besteht die Gefahr schwerer oder tödlicher Verletzungen.



#### **WARNUNG!**

... weist auf eine möglicherweise gefährliche Situation hin, die durch heiße Oberflächen oder Flüssigkeiten zu Verbrennungen führen kann, wenn sie nicht gemieden wird.



#### **Information**

... hebt nützliche Tipps und Empfehlungen sowie Informationen für einen effizienten und störungsfreien Betrieb hervor.

## 3. Sicherheit

### 3.2 Bestimmungsgemäße Verwendung

Dieses Luftgeschwindigkeitsmessgerät dient zur Messung der Luftgeschwindigkeit und Temperatur in Luft und anderen nicht brennbaren und nicht aggressiven Gasen von Lüftungs- und Klimaanlageanlagen (z. B. in Zuluft-/Abluftkanälen).

DE

Dieses Gerät ist nicht für den Einsatz in explosionsgefährdeten Bereichen zugelassen!

Das Gerät ist ausschließlich für den hier beschriebenen bestimmungsgemäßen Verwendungszweck konzipiert und konstruiert und darf nur dementsprechend verwendet werden.

Die technischen Spezifikationen in dieser Betriebsanleitung sind einzuhalten. Eine unsachgemäße Handhabung oder ein Betreiben des Gerätes außerhalb der technischen Spezifikationen macht die sofortige Stilllegung und Überprüfung durch einen autorisierten WIKA-Servicearbeiter erforderlich.

Ansprüche jeglicher Art aufgrund von nicht bestimmungsgemäßer Verwendung sind ausgeschlossen.

### 3.3 Fehlgebrauch



#### **WARNUNG!**

#### **Verletzungen durch Fehlgebrauch**

Fehlgebrauch des Gerätes kann zu gefährlichen Situationen und Verletzungen führen.

- ▶ Eigenmächtige Umbauten am Gerät unterlassen.
- ▶ Gerät nicht in explosionsgefährdeten Bereichen einsetzen.
- ▶ Gerät nicht für abrasive und viskose Messstoffe verwenden.

Jede über die bestimmungsgemäße Verwendung hinausgehende oder andersartige Benutzung gilt als Fehlgebrauch.

Dieses Gerät nicht in Sicherheits- oder in Not-Aus-Einrichtungen benutzen.

## 3. Sicherheit

DE

### 3.4 Verantwortung des Betreibers

Das Gerät wird im gewerblichen Bereich eingesetzt. Der Betreiber unterliegt daher den gesetzlichen Pflichten zur Arbeitssicherheit.

Die Sicherheitshinweise dieser Betriebsanleitung, sowie die für den Einsatzbereich des Gerätes gültigen Sicherheits-, Unfallverhütungs- und Umweltschutzvorschriften einhalten.

Der Betreiber ist verpflichtet das Typenschild lesbar zu halten.

Für ein sicheres Arbeiten am Gerät muss der Betreiber sicherstellen,

- dass das Bedienpersonal regelmäßig in allen zutreffenden Fragen von Arbeitssicherheit, Erste Hilfe und Umweltschutz unterwiesen wird, sowie die Betriebsanleitung und insbesondere die darin enthaltenen Sicherheitshinweise kennt.
- dass das Gerät gemäß der bestimmungsgemäßen Verwendung für den Anwendungsfall geeignet ist.
- dass die persönliche Schutzausrüstung verfügbar ist.

### 3.5 Personalqualifikation



#### **WARNUNG!**

#### **Verletzungsgefahr bei unzureichender Qualifikation**

Unsachgemäßer Umgang kann zu erheblichen Personen- und Sachschäden führen.

- ▶ Die in dieser Betriebsanleitung beschriebenen Tätigkeiten nur durch Fachpersonal nachfolgend beschriebener Qualifikation durchführen lassen.

## 3. Sicherheit

### Elektrofachpersonal

Das Elektrofachpersonal ist aufgrund seiner fachlichen Ausbildung, Kenntnisse und Erfahrungen sowie Kenntnis der landesspezifischen Vorschriften, geltenden Normen und Richtlinien in der Lage, Arbeiten an elektrischen Anlagen auszuführen und mögliche Gefahren selbstständig zu erkennen und zu vermeiden. Das Elektrofachpersonal ist speziell für das Arbeitsumfeld, in dem es tätig ist, ausgebildet und kennt die relevanten Normen und Bestimmungen. Das Elektrofachpersonal muss die Bestimmungen der geltenden gesetzlichen Vorschriften zur Unfallverhütung erfüllen.

### Bedienpersonal

Das vom Betreiber geschulte Personal ist aufgrund seiner Bildung, Kenntnisse und Erfahrungen in der Lage, die beschriebenen Arbeiten auszuführen und mögliche Gefahren selbstständig zu erkennen.

Spezielle Einsatzbedingungen verlangen weiteres entsprechendes Wissen, z. B. über aggressive Medien.

## 3.6 Beschilderung, Sicherheitskennzeichnungen

### Typenschild (Beispiel)



- |                  |                |
|------------------|----------------|
| ① Typ            | ④ Hilfsenergie |
| ② Messbereich    | ⑤ Seriennummer |
| ③ Ausgangssignal |                |



Vor Montage und Inbetriebnahme des Gerätes unbedingt die Betriebsanleitung lesen!

### 4. Transport, Verpackung und Lagerung

#### 4.1 Transport

Gerät auf eventuell vorhandene Transportschäden untersuchen.  
Offensichtliche Schäden unverzüglich mitteilen.



#### **VORSICHT!**

#### **Beschädigungen durch unsachgemäßen Transport**

Bei unsachgemäßem Transport können Sachschäden in erheblicher Höhe entstehen.

- ▶ Beim Abladen der Packstücke bei Anlieferung sowie innerbetrieblichem Transport vorsichtig vorgehen und die Symbole auf der Verpackung beachten.
- ▶ Bei innerbetrieblichem Transport die Hinweise unter Kapitel 4.2 „Verpackung und Lagerung“ beachten.

Wird das Gerät von einer kalten in eine warme Umgebung transportiert, so kann durch Kondensatbildung eine Störung der Gerätefunktion eintreten. Vor einer erneuten Inbetriebnahme die Angleichung der Gerätetemperatur an die Raumtemperatur abwarten.

#### 4.2 Verpackung und Lagerung

Verpackung erst unmittelbar vor der Montage entfernen.

Die Verpackung aufbewahren, denn diese bietet bei einem Transport einen optimalen Schutz (z. B. wechselnder Einbauort, Reparatursendung).

#### **Zulässige Bedingungen am Lagerort:**

Lagertemperatur: -20 ... +70 °C

#### **Folgende Einflüsse vermeiden:**

- Direktes Sonnenlicht oder Nähe zu heißen Gegenständen
- Mechanische Vibration, mechanischer Schock (hartes Aufstellen)
- Ruß, Dampf, Feuchtigkeit, Staub und korrosive Gase
- Explosionsgefährdete Umgebung, entzündliche Atmosphären

## 4. Transport ... / 5. Inbetriebnahme, Betrieb

Das Gerät in der Originalverpackung an einem Ort lagern, der die oben gelisteten Bedingungen erfüllt. Wenn die Originalverpackung nicht vorhanden ist, dann das Gerät wie folgt verpacken und lagern:

1. Das Gerät in eine antistatische Plastikfolie einhüllen.
2. Das Gerät mit dem Dämmmaterial in der Verpackung platzieren.
3. Bei längerer Einlagerung (mehr als 30 Tage) einen Beutel mit Trocknungsmittel der Verpackung beilegen.

DE

## 5. Inbetriebnahme, Betrieb



### **WARNUNG!**

#### **Körperverletzungen, Sach- und Umweltschäden durch gefährliche Messstoffe**

Bei Kontakt mit gefährlichen Messstoffen (z. B. Sauerstoff, Acetylen, brennbaren oder giftigen Stoffen), gesundheitsgefährdenden Messstoffen (z. B. ätzend, giftig, krebserregend, radioaktiv) sowie bei Kälteanlagen, Kompressoren besteht die Gefahr von Körperverletzungen, Sach- und Umweltschäden. Am Gerät können im Fehlerfall aggressive Medien mit extremer Temperatur und unter hohem Druck oder Vakuum anliegen.

- ▶ Bei diesen Messstoffen müssen über die gesamten allgemeinen Regeln hinaus die einschlägigen Vorschriften beachtet werden.



### **VORSICHT!**

#### **Beschädigung des Gerätes**

Bei Arbeiten mit offenen Schaltkreisen (Leiterplatten) besteht die Gefahr empfindliche elektronische Bauteile durch elektrostatische Entladung zu beschädigen.

- ▶ Die ordnungsgemäße Verwendung geerdeter Arbeitsflächen und persönlicher Armbänder ist erforderlich.





### GEFAHR!

#### Lebensgefahr durch elektrischen Strom

Bei Berührung mit spannungsführenden Teilen besteht unmittelbare Lebensgefahr.

- ▶ Einbau und Montage des Gerätes dürfen nur durch Fachpersonal erfolgen.
- ▶ Bei Betrieb mit einem defekten Netzgerät (z. B. Kurzschluss von Netzspannung zur Ausgangsspannung) können am Gerät lebensgefährliche Spannungen auftreten!

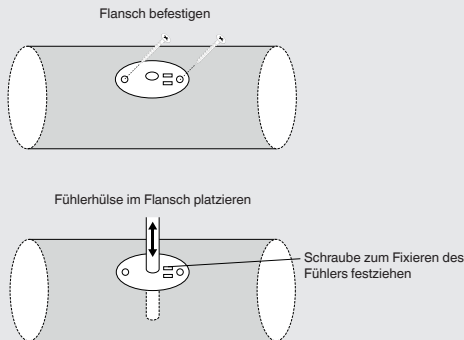
DE

Voraussetzung für die Inbetriebnahme ist die ordnungsgemäße Installation aller elektrischen Versorgungs-, Schalt- und Messleitungen und der Druckanschlussleitungen. Vor Inbetriebnahme die Dichtigkeit der Druckanschlussleitungen prüfen.

### 5.1 Mechanische Montage

Das Luftgeschwindigkeitsmessgerät wird im Kanal eingebaut. Das Kabel für die Hilfsenergie und das Kabel für den Relaisanschluss (optional) müssen separat verlegt werden, wenn hohe Spannungen (keine Schutzkleinspannung) mit dem Relais geschaltet werden sollen. Für beide Kabel steht eine eigene Kabeleinführung zur Verfügung.

#### Flanschmontage



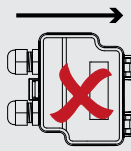
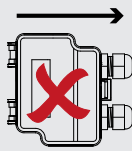
### Geräteausrichtung

Richtung des  
Luftstromes



Zugentlastung nach unten

Richtung des  
Luftstromes



### 5.2 Elektrische Montage

Die Geräte sind für den Betrieb an Schutzkleinspannung (SELV) ausgelegt. Beim elektrischen Anschluss der Geräte gelten die technischen Daten der Geräte. Bei Fühlern mit Messumformer sollte dieser in der Regel in der Messbereichsmittle betrieben werden, da an den Messbereichsendpunkten erhöhte Abweichungen auftreten können. Die Umgebungstemperatur der Messumformerelektronik sollte konstant gehalten werden.

Die Messumformer müssen bei einer konstanten Betriebsspannung ( $\pm 0,2\text{ V}$ ) betrieben werden. Strom-/Spannungsspitzen beim Ein-/Ausschalten der Hilfsenergie müssen bauseitig vermieden werden.

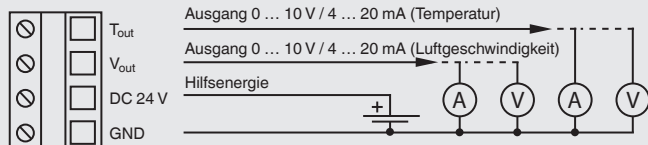
### Anschlussschema

Das Luftgeschwindigkeitsmessgerät besitzt zwei Zugentlastungen an der Unterseite. Die linke Zugentlastung wird für den Stromeingang und den Signalausgang ( $T_{\text{out}}/V_{\text{out}}$ ) verwendet und die rechte für das Relais. Für die CE-Konformität ist ein ordnungsgemäß geerdetes Abschirmkabel erforderlich.

1. Zugentlastung abschrauben und das Kabel verlegen.
2. Drähte wie in der nachfolgenden Abbildung gezeigt anschließen.
3. Zugentlastung festziehen.

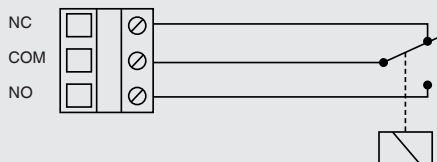
## 5. Inbetriebnahme, Betrieb

### Ausgangssignal



DE

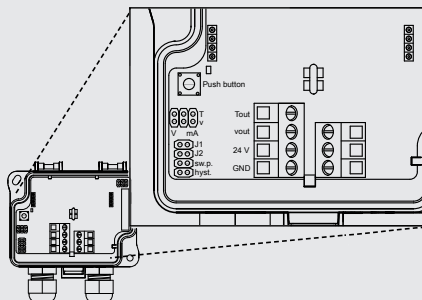
### Relais-Schaltausgang



### 5.3 Konfiguration

Die Konfiguration des Luftgeschwindigkeitsmessgerätes beinhaltet die Einstellung des Messbereiches und des Messmodus sowie der Option mit Relais über die Konfigurationselemente.

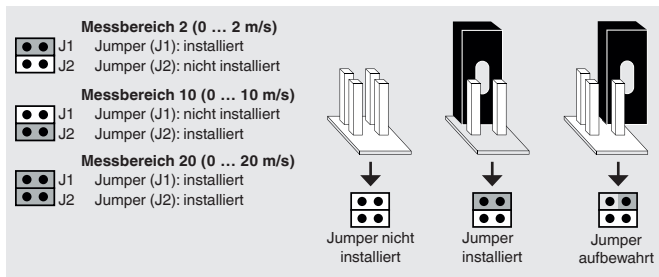
### Konfigurationselemente



## 5. Inbetriebnahme, Betrieb

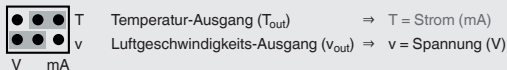
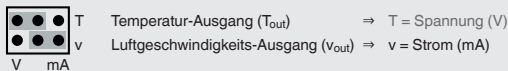
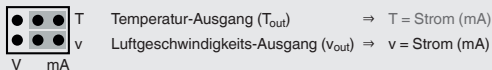
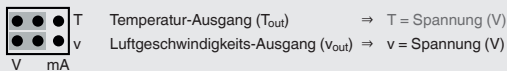
### Messbereich

Die Einstellung des Messbereiches erfolgt über die entsprechende Installation der Jumper auf den Konfigurationselementen J1 und J2.



### Messmodus

Das gewünschte Ausgangssignal für die Ausgänge Temperatur ( $T_{out}$ ) und Luftgeschwindigkeit ( $v_{out}$ ) wird mittels entsprechender Installation von Jumpers auf den Konfigurationselementen T und v ausgewählt. Beide Ausgänge sind separat zu konfigurieren.



## 5. Inbetriebnahme, Betrieb

### Option mit Relais



Die Einstellung der Relaisparameter muss vor dem Anschluss der Spannung an den Relaisanschlüssen durchgeführt werden. Dies gewährleistet die Vermeidung eines elektrischen Schlages.

#### 1. Schalterpunkt einstellen

- Einen Jumper auf die „Schaltswellen-Stifte“ (sw.p.) stecken.
- Die Taste „Pushbutton“ drücken um den Schalterpunkt des Relais auszuwählen.

⇒ Der gewählte Wert (m/s) wird auf dem Display angezeigt.

- Den verwendeten Jumper nach Beendigung der Konfiguration aufbewahren.

#### 2. Hysterese einstellen

- Einen Jumper auf die „Hysteresen-Stifte“ (hyst.) stecken.
- Die Taste „Pushbutton“ drücken um die Hysterese des Relais auszuwählen.

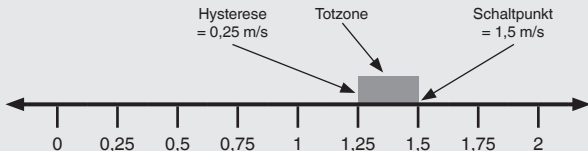
⇒ Der gewählte Wert (m/s) wird auf dem Display angezeigt.

- Den verwendeten Jumper nach Beendigung der Konfiguration aufbewahren.

### Hysterese

Die Hysterese stellt eine Totzone  $\leq 20\%$  um den gewählten Bereich dar, die am Schalterpunkt (sw.p.) verankert ist und sich um den gewählten Hysteresebereich (hyst.) erweitert.

#### Hysterese (Beispiel)



## 5. Inbetriebnahme ... / 6. Wartung und Reinigung

Im gezeigten Beispiel ist der Schaltungspunkt auf 1,5 m/s und die Hysterese auf 0,25 m/s eingestellt. Wenn die Geschwindigkeit über 1,5 m/s steigt, öffnet bzw. schließt das Relais. Wenn die Geschwindigkeit danach sinkt, öffnet bzw. schließt das Relais erst wieder, sobald der Hysteresebereich (bis 1,25 m/s) unterschritten wird. Dadurch wird ein schnelles Umschalten verhindert.

DE

Die maximale Einstellung der Hysterese basiert auf dem gewählten Bereich:

Bereich in m/s	Maximale Hysterese in m/s
0 - 2	0,4
0 - 10	2
0 - 20	4

## 6. Wartung und Reinigung



Kontaktaten siehe Kapitel 1 „Allgemeines“ oder Rückseite der Betriebsanleitung.

### 6.1 Wartung

Dieses Gerät ist wartungsfrei und zeichnet sich bei sachgemäßer Behandlung und Bedienung durch eine hohe Lebensdauer aus.

Reparaturen sind ausschließlich vom Hersteller oder entsprechend qualifiziertem Fachpersonal durchzuführen.

### 6.2 Reinigung



#### **VORSICHT!**

#### **Körperverletzungen, Sach- und Umweltschäden**

Eine unsachgemäße Reinigung führt zu Körperverletzungen, Sach- und Umweltschäden. Messstoffreste im ausgebauten Gerät können zur Gefährdung von Personen, Umwelt und Einrichtung führen.

- ▶ Reinigungsvorgang wie folgt beschrieben durchführen.

## 6. ... / 7. Demontage, Rücksendung und Entsorgung

1. Vor der Reinigung das Gerät ausschalten und vom Netz trennen.
2. Notwendige Schutzausrüstung verwenden.
3. Das Gerät mit einem (in Seifenlauge) angefeuchteten Tuch reinigen.  
Elektrische Anschlüsse nicht mit Feuchtigkeit in Berührung bringen!



### **VORSICHT!**

#### **Beschädigung des Gerätes**

Eine unsachgemäße Reinigung führt zur Beschädigung des Gerätes!

- ▶ Keine aggressiven Reinigungsmittel verwenden.
- ▶ Keine harten und spitzen Gegenstände zur Reinigung verwenden.

4. Ausgebautes Gerät spülen bzw. säubern, um Personen und Umwelt vor Gefährdung durch anhaftende Messstoffreste zu schützen.

DE

## 7. Demontage, Rücksendung und Entsorgung

### 7.1 Demontage



### **WARNUNG!**

#### **Körperverletzungen, Sach- und Umweltschäden durch Messstoffreste**

Bei Kontakt mit gefährlichen Messstoffen (z. B. Sauerstoff, Acetylen, brennbaren oder giftigen Stoffen), gesundheitsgefährdenden Messstoffen (z. B. ätzend, giftig, krebserregend, radioaktiv) sowie bei Kälteanlagen, Kompressoren besteht die Gefahr von Körperverletzungen, Sach- und Umweltschäden.

- ▶ Vor der Einlagerung das ausgebaute Gerät (nach Betrieb) spülen bzw. säubern, um Personen und Umwelt vor Gefährdung durch anhaftende Messstoffreste zu schützen.
- ▶ Angaben im Sicherheitsdatenblatt für den entsprechenden Messstoff beachten.

## 7. Demontage, Rücksendung und Entsorgung



### **WARNUNG!**

#### **Verbrennungsgefahr**

Beim Ausbau besteht Gefahr durch austretende, gefährlich heiße Messstoffe.

- ▶ Vor dem Ausbau das Gerät ausreichend abkühlen lassen!

DE



### **GEFAHR!**

#### **Lebensgefahr durch elektrischen Strom**

Bei Berührung mit spannungsführenden Teilen besteht unmittelbare Lebensgefahr.

- ▶ Die Demontage des Gerätes darf nur durch Fachpersonal erfolgen.
- ▶ Gerät im stromlosen Zustand demontieren.



### **WARNUNG!**

#### **Körperverletzung**

Bei der Demontage besteht Gefahr durch aggressive Medien und hohe Drücke.

- ▶ Angaben im Sicherheitsdatenblatt für den entsprechenden Messstoff beachten.
- ▶ Gerät im drucklosen Zustand demontieren.

### 7.2 Rücksendung

#### **Beim Versand des Gerätes unbedingt beachten:**

Alle an WIKA gelieferten Geräte müssen frei von Gefahrstoffen (Säuren, Laugen, Lösungen, etc.) sein und sind daher vor der Rücksendung zu reinigen.



### **WARNUNG!**

#### **Körperverletzungen, Sach- und Umweltschäden durch Messstoffreste**

Messstoffreste im ausgebauten Gerät können zur Gefährdung von Personen, Umwelt und Einrichtung führen.

- ▶ Bei Gefahrenstoffen das Sicherheitsdatenblatt für den entsprechenden Messstoff beilegen.
- ▶ Gerät reinigen, siehe Kapitel 6.2 „Reinigung“.



## 7. Demontage ... / 8. Technische Daten

Zur Rücksendung des Gerätes die Originalverpackung oder eine geeignete Transportverpackung verwenden.

### Um Schäden zu vermeiden:

1. Das Gerät in eine antistatische Plastikfolie einhüllen.
2. Das Gerät mit dem Dämmmaterial in der Verpackung platzieren.  
Zu allen Seiten der Transportverpackung gleichmäßig dämmen.
3. Wenn möglich einen Beutel mit Trocknungsmittel der Verpackung beifügen.
4. Sendung als Transport eines hochempfindlichen Messgerätes kennzeichnen.



Hinweise zur Rücksendung befinden sich in der Rubrik „Service“ auf unserer lokalen Internetseite.

### 7.3 Entsorgung

Durch falsche Entsorgung können Gefahren für die Umwelt entstehen. Gerätekomponten und Verpackungsmaterialien entsprechend den landesspezifischen Abfallbehandlungs- und Entsorgungsvorschriften umweltgerecht entsorgen.



Nicht mit dem Hausmüll entsorgen. Für eine geordnete Entsorgung gemäß nationaler Vorgaben sorgen.

## 8. Technische Daten

### Luftgeschwindigkeitsmessgerät, Typ A2G-20

#### Ausführung

- Ausführung ohne LC-Display
- Ausführung mit LC-Display
- Ausführung mit LC-Display und Schaltausgang

#### Messelement

Pt1000 (Luftgeschwindigkeit) und NTC10k (Temperatur)

#### Messbereich

Luftgeschwindigkeit	0 ... 2 m/s, 0 ... 10 m/s oder 0 ... 20 m/s über Jumper am Gerät wählbar
Temperatur	0 ... 50 °C [32 ... 122 °F]

## 8. Technische Daten

### Luftgeschwindigkeitsmessgerät, Typ A2G-20

#### Genauigkeit

Luftgeschwindigkeit	Messbereich 0 ... 2 m/s: < 0,2 m/s +5 % vom Messwert Messbereich 0 ... 10 m/s: < 0,5 m/s +5 % vom Messwert Messbereich 0 ... 20 m/s: < 1,0 m/s +5 % vom Messwert
---------------------	--

Temperatur <sup>1)</sup>	< 0,5 °C [0,9 °F] (v > 0,5 m/s)
--------------------------	---------------------------------

Hilfsenergie $U_B$	DC 24 V/AC 24 V ±10 %
--------------------	-----------------------

#### Ausgangssignal

Luftgeschwindigkeit	DC 0 ... 10 V (linear zu m/s): Last min. 1 kΩ 4 ... 20 mA (linear zu m/s): Last max. 400 Ω
---------------------	---

Temperatur	DC 0 ... 10 V (linear zu °C): Last min. 1 kΩ 4 ... 20 mA (linear zu °C): Last max. 400 Ω
------------	---

Elektrischer Anschluss	Schraubklemmen Kabelverschraubung M16 max. 1,5 mm <sup>2</sup>
------------------------	--

Schaltausgang	3 Schraubklemmen max. 1,5 mm <sup>2</sup> (NC, COM, NO) Relais (potentialfrei, Wechsler, max. AC 250 V, 6 A, DC 30 V, 6 A, einstellbare Schaltschwelle und Hysterese)
---------------	--

Gehäuse	Kunststoff (ABS)
---------	------------------

LC-Display	3 ½-stellige Anzeige mit Hintergrundbeleuchtung Größe: 46,7 x 12,7 mm
------------	--

#### Zulässige Temperaturen

Messstoff	0 ... 50 °C, max. 95 % r. F.
-----------	------------------------------

Umgebung	0 ... 50 °C, max. 95 % r. F.
----------	------------------------------

Schutzart	IP54 nach IEC/EN 60529
-----------	------------------------

Gewicht	220 g
---------	-------

Montageart	Kanaleinbau über Montageflansch
------------	---------------------------------

1) Das Gerät wird bei 22 °C [71,6 °F] kalibriert.

Weitere technische Daten siehe WIKA-Datenblatt SP 69.06 und Bestellunterlagen.

# Sommaire

<b>1. Généralités</b>	<b>44</b>
<b>2. Conception et fonction</b>	<b>45</b>
<b>3. Sécurité</b>	<b>47</b>
<b>4. Transport, emballage et stockage</b>	<b>51</b>
<b>5. Mise en service, utilisation</b>	<b>52</b>
<b>6. Entretien et nettoyage</b>	<b>58</b>
<b>7. Démontage, retour et mise au rebut</b>	<b>59</b>
<b>8. Spécifications</b>	<b>61</b>

# 1. Généralités

## 1. Généralités

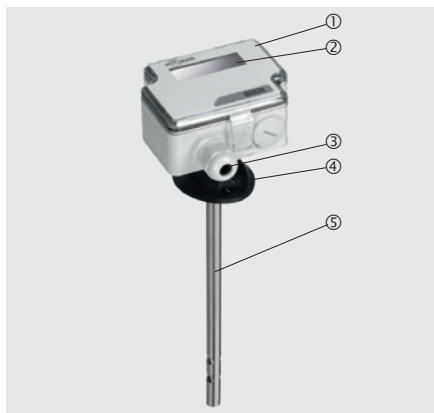
FR

- L'instrument de mesure de la vitesse de l'air décrit dans le mode d'emploi est conçu et fabriqué selon les dernières technologies en vigueur. Tous les composants sont soumis à des critères de qualité et d'environnement stricts durant la fabrication. Nos systèmes de gestion sont certifiés selon ISO 9001 et ISO 14001.
- Ce mode d'emploi donne des indications importantes concernant l'utilisation de l'instrument. Il est possible de travailler en toute sécurité avec ce produit en respectant toutes les consignes de sécurité et d'utilisation.
- Respecter les prescriptions locales de prévention contre les accidents et les prescriptions générales de sécurité en vigueur pour le domaine d'application de l'instrument.
- Le mode d'emploi fait partie de l'instrument et doit être conservé à proximité immédiate de l'instrument et accessible à tout moment pour le personnel qualifié. Confier le mode d'emploi à l'utilisateur ou propriétaire ultérieur de l'instrument.
- Le personnel qualifié doit, avant de commencer toute opération, avoir lu soigneusement et compris le mode d'emploi.
- Les conditions générales de vente mentionnées dans les documents de vente s'appliquent.
- Sous réserve de modifications techniques.
- Pour obtenir d'autres informations :
  - Consulter notre site Internet : [www.wika.fr](http://www.wika.fr)  
[www.air2guide.com](http://www.air2guide.com)
  - Fiche technique correspondante : SP 69.06

## 2. Conception et fonction

### 2. Conception et fonction

#### 2.1 Vue générale



FR

- ① Boîtier
- ② Ecran LCD (en option)
- ③ Entrée de câble pour le raccordement électrique
- ④ Bride de montage
- ⑤ Manchon de capteur

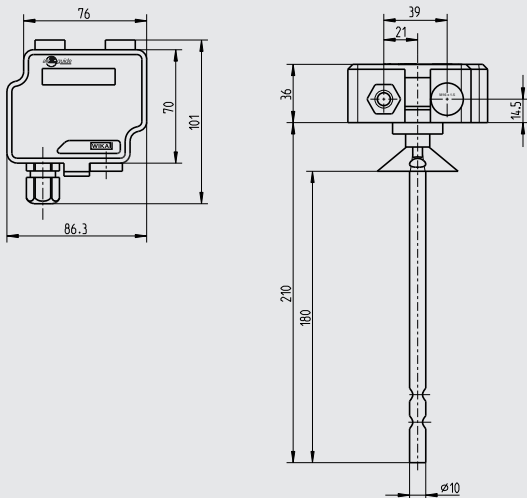
#### 2.2 Description

L'instrument de mesure de la vitesse de l'air type A2G-20 est utilisé pour mesurer le débit de fluides gazeux dans les applications de ventilation et de climatisation. En plus, le type A2G-20 est équipé d'un dispositif de mesure de la température intégré.

Des signaux de sortie électriques pour les deux mesurandes (0 ... 10 VDC ou 4 ... 20 mA ; réglables par cavaliers sur l'instrument) permettent la connexion directe aux systèmes de commande ou au système d'automatisation du bâtiment.

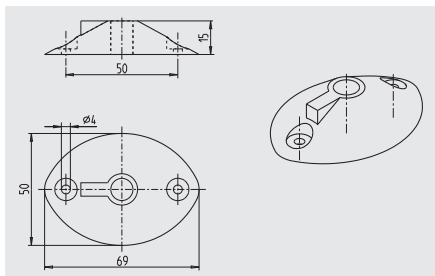
## 2. Conception et fonction

### 2.3 Dimensions en mm



40340201.01

### Bride de montage



40339556.03 05/2021 EN/DE/FR/ES/IT

### 2.4 Détail de la livraison

- Instrument de mesure de la vitesse de l'air
- Bride de montage
- Trois variantes disponibles
  - Sans affichage
  - Avec affichage
  - Avec affichage et sortie de commutation

Comparer le détail de la livraison avec le bordereau de livraison.

## 3. Sécurité

### 3.1 Explication des symboles



#### AVERTISSEMENT !

... indique une situation présentant des risques susceptibles de provoquer la mort ou des blessures graves si elle n'est pas évitée.



#### ATTENTION !

... indique une situation potentiellement dangereuse et susceptible de provoquer de légères blessures ou des dommages à l'équipement ou l'environnement si elle n'est pas évitée.



#### DANGER !

... indique les dangers liés au courant électrique. Danger de blessures graves ou mortelles en cas de non respect des consignes de sécurité.



#### AVERTISSEMENT !

... indique une situation présentant des risques susceptibles de provoquer des brûlures dues à des surfaces ou liquides chauds si elle n'est pas évitée.



#### Information

... met en exergue des conseils et recommandations utiles de même que des informations permettant d'assurer un fonctionnement efficace et normal.

## 3. Sécurité

### 3.2 Utilisation conforme à l'usage prévu

Cet instrument de mesure de la vitesse de l'air est utilisé pour mesurer la vitesse de l'air et la température de l'air et d'autres gaz non inflammables et non agressifs dans des conduits de ventilation et des systèmes de conditionnement d'air (par exemple dans des conduits d'air frais et d'air d'échappement).

FR

L'instrument ne doit pas être utilisé en zones explosives !

L'instrument est conçu et construit exclusivement pour une utilisation conforme à l'usage prévu décrit ici et ne doit être utilisé qu'en conséquence.

Les spécifications techniques mentionnées dans ce mode d'emploi doivent être respectées. En cas d'utilisation non conforme ou de fonctionnement de l'instrument en dehors des spécifications techniques, un arrêt et contrôle doivent être immédiatement effectués par un collaborateur autorisé du service de WIKA.

Aucune réclamation ne peut être recevable en cas d'utilisation non conforme à l'usage prévu.

### 3.3 Utilisation inappropriée



#### **AVERTISSEMENT !**

#### **Blessures à cause d'une utilisation inappropriée**

Une utilisation inappropriée peut conduire à des situations dangereuses et à des blessures.

- ▶ S'abstenir de modifications non autorisées sur l'instrument.
- ▶ Ne pas utiliser l'instrument en zone explosive.
- ▶ Ne pas utiliser l'instrument avec un fluide abrasif ou visqueux.

Toute utilisation différente ou au-delà de l'utilisation prévue est considérée comme inappropriée.

Ne pas utiliser cet instrument dans des dispositifs de sécurité ou d'arrêt d'urgence.



## 3. Sécurité

### 3.4 Responsabilité de l'opérateur

L'instrument est prévu pour un usage dans le domaine industriel.

L'opérateur est de ce fait responsable des obligations légales en matière de sécurité du travail.

Les instructions de sécurité de ce mode d'emploi comme les réglementations liées à la sécurité, à la prévention des accidents et à la protection de l'environnement pour le domaine d'application doivent être respectées.

L'opérateur doit s'assurer que l'étiquette du produit reste lisible.

Afin de travailler en toute sécurité sur l'instrument, la société exploitante doit s'assurer

- que le personnel de service reçoit à intervalles réguliers des instructions relatives à toutes les questions pertinentes concernant la sécurité du travail, les premiers secours et la protection de l'environnement et qu'il connaît le mode d'emploi et particulièrement les consignes de sécurité contenues dans celui-ci.
- que l'instrument est adapté à l'application en respect de l'usage prévu de l'instrument.
- qu'un équipement de protection individuelle est disponible.

### 3.5 Qualification du personnel



#### **AVERTISSEMENT !**

#### **Danger de blessure en cas de qualification insuffisante**

Une utilisation non conforme peut entraîner d'importants dommages corporels et matériels.

- ▶ Les opérations décrites dans ce mode d'emploi ne doivent être effectuées que par un personnel ayant la qualification décrite ci-après.

## 3. Sécurité

### Personnel qualifié en électricité

Le personnel qualifié en électricité est, en raison de sa formation spécialisée, de ses connaissances et de ses expériences de même que de sa connaissance des prescriptions nationales, des normes et directives en vigueur, en mesure d'effectuer les travaux sur les montages électriques, de reconnaître de façon autonome les dangers potentiels et de les éviter. Le personnel qualifié en électricité est formé spécialement pour le domaine d'action dans lequel il est formé et connaît les normes et dispositions importantes. Le personnel qualifié en électricité doit satisfaire aux dispositions des prescriptions juridiques en vigueur relatives à la protection contre les accidents.

FR

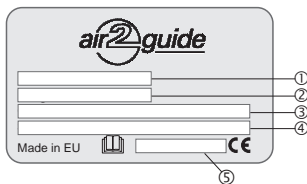
### Personnel opérationnel

Le personnel formé par l'opérateur est, en raison de sa formation et de son expérience en mesure d'effectuer les travaux décrits et de reconnaître de façon autonome les dangers potentiels.

Les conditions d'utilisation spéciales exigent également une connaissance adéquate, par ex. des liquides agressifs.

### 3.6 Etiquetage, marquages de sécurité

#### Plaque signalétique (exemple)



- |                     |                          |
|---------------------|--------------------------|
| ① Type              | ④ Tension d'alimentation |
| ② Etendue de mesure | ⑤ Numéro de série        |
| ③ Signal de sortie  |                          |



Lire impérativement le mode d'emploi avant le montage et la mise en service de l'instrument !

## 4. Transport, emballage et stockage

### 4. Transport, emballage et stockage

#### 4.1 Transport

Vérifier s'il existe des dégâts sur l'instrument liés au transport.

Communiquer immédiatement les dégâts constatés.



#### **ATTENTION !**

#### **Dommages liés à un transport inapproprié**

Un transport inapproprié peut donner lieu à des dommages importants.

- ▶ Lors du déchargement des colis à la livraison comme lors du transport des colis en interne après réception, il faut procéder avec soin et observer les consignes liées aux symboles figurant sur les emballages.
- ▶ Lors du transport en interne, observer les instructions du chapitre 4.2 "Emballage et stockage".

Si l'instrument est transporté d'un environnement froid dans un environnement chaud, la formation de condensation peut provoquer un dysfonctionnement fonctionnel de l'instrument. Il est nécessaire d'attendre que la température de l'instrument se soit adaptée à la température ambiante avant une nouvelle mise en service.

#### 4.2 Emballage et stockage

N'enlever l'emballage qu'avant le montage.

Conserver l'emballage, celui-ci offre, lors d'un transport, une protection optimale (par ex. changement de lieu d'utilisation, renvoi pour réparation).

#### **Conditions admissibles sur le lieu de stockage :**

Température de stockage : -20 ... +70 °C

#### **Eviter les influences suivantes :**

- Lumière solaire directe ou proximité d'objets chauds
- Vibrations mécaniques, chocs mécaniques (mouvements brusques en le posant)
- Suie, vapeur, humidité, poussière et gaz corrosifs
- Environnements dangereux, atmosphères inflammables

FR

## 4. Transport ... / 5. Mise en service, utilisation

Conserver l'instrument dans l'emballage original dans un endroit qui satisfait aux conditions susmentionnées. Si l'emballage original n'est pas disponible, emballer et stocker l'instrument comme suit :

1. Emballer l'instrument dans une feuille de plastique antistatique.
2. Placer l'instrument avec le matériau isolant dans l'emballage.
3. En cas d'entreposage pour une longue période (plus de 30 jours), mettre également un sachet absorbant d'humidité dans l'emballage.

FR

### 5. Mise en service, utilisation



#### **AVERTISSEMENT !**

#### **Blessures physiques et dommages aux équipements et à l'environnement causés par un fluide dangereux**

Lors du contact avec un fluide dangereux (par ex. oxygène, acétylène, substances inflammables ou toxiques), un fluide nocif (par ex. corrosif, toxique, cancérigène, radioactif), et également avec des installations de réfrigération et des compresseurs, il y a un danger de blessures physiques et de dommages aux équipements et à l'environnement.

En cas d'erreur, des fluides agressifs peuvent être présents à une température extrême et sous une pression élevée ou sous vide au niveau de l'instrument.

- ▶ Pour ces fluides, les codes et directives appropriés existants doivent être observés en plus des réglementations standard.



#### **ATTENTION !**

#### **Dommages à l'instrument**

Lors du travail sur des circuits électriques ouverts (cartes à circuit imprimé), il y a un risque d'endommagement des composants électroniques sensibles à cause des décharges électrostatiques.

- ▶ L'utilisation correcte de surfaces de travail reliées à la terre et de brassards personnels est requise.

## 5. Mise en service, utilisation



### **DANGER !**

#### **Danger vital à cause du courant électrique**

Lors du contact avec des parties sous tension, il y a un danger vital direct.

- ▶ Le montage de l'instrument électrique ne doit être effectué que par un électricien qualifié.
- ▶ En cas d'utilisation avec une unité d'alimentation défectueuse (par exemple court-circuit entre la tension du secteur et la tension de sortie), des tensions présentant un danger vital peuvent apparaître sur l'instrument !

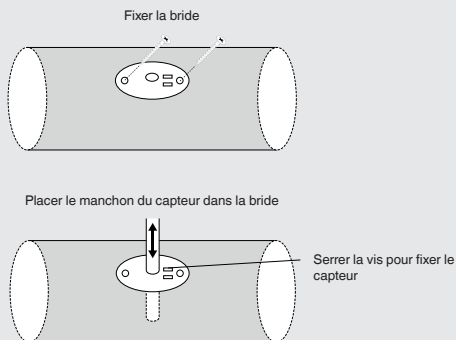
FR

Une condition préalable à la mise en service est une installation correcte de toute l'alimentation électrique, des lignes de contrôle et de mesure et des lignes de raccordement de pression. Avant la mise en service, il faut contrôler l'étanchéité des lignes de raccordement de pression.

### **5.1 Montage mécanique**

L'instrument de mesure de la vitesse de l'air est installé dans le conduit. Le câble de tension d'alimentation et le câble pour la connexion du relais (en option) doivent être posés séparément, si des tensions hautes (pas de TBTS, Très Basse Tension de Sécurité) doivent être commutées avec le relais. Les deux câbles ont leur propre entrée.

#### **Installation avec bride**



## 5. Mise en service, utilisation

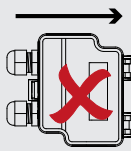
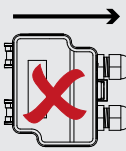
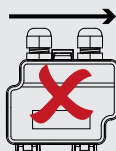
### Orientation de l'instrument

Direction  
d'écoulement de l'air



Réducteur de traction vers le bas

Direction  
d'écoulement de l'air



### 5.2 Montage électrique

Les instruments sont conçus pour travailler avec une tension extra-basse de sécurité (SELV). Lorsque l'on câble les instruments, il faut respecter les spécifications techniques de ces instruments. Dans le cas d'un capteur avec transmetteur, en règle générale, le transmetteur doit être utilisé au milieu de l'étendue de mesure, car des déviations peuvent se produire aux limites de l'étendue. Il faut maintenir constante la température ambiante de l'électronique du transmetteur.

Les transmetteurs doivent fonctionner à une tension constante ( $\pm 0,2$  V). Des pics de courant/tension provenant de l'allumage et de l'extinction de la tension d'alimentation doivent être évités par le client.

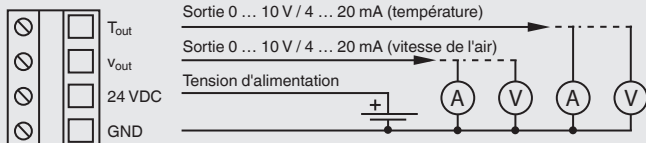
### Schéma de raccordement

L'instrument de mesure de la vitesse de l'air est muni de deux réducteurs de traction sur la partie inférieure. Le réducteur de traction de gauche est utilisé pour l'entrée de courant et la sortie de signal ( $T_{out}/V_{out}$ ) et celui de droite pour le relais. Pour avoir la conformité CE, un câble blindé correctement mis à la terre est requis.

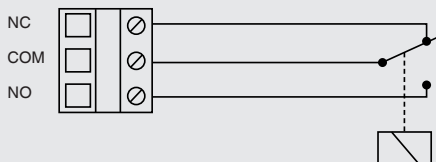
1. Dévisser le réducteur de traction et passer le câble.
2. Raccorder les fils comme indiqué dans l'illustration ci-dessous.
3. Resserrer la décharge de traction.

## 5. Mise en service, utilisation

### Signal de sortie



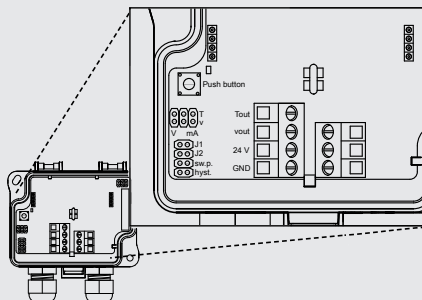
### Relais de sortie de commutation



### 5.3 Configuration

La configuration de l'instrument de mesure de la vitesse de l'air comprend le réglage de l'étendue de mesure et le mode de mesure, ainsi que l'option avec relais via les éléments de configuration.

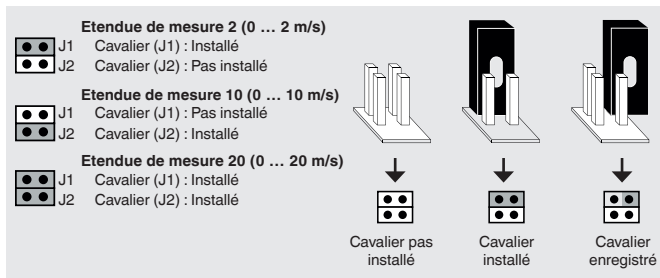
### Éléments de configuration



## 5. Mise en service, utilisation

### Etendue de mesure

L'étendue de mesure est réglée en installant des cavaliers sur les éléments de configuration correspondants J1 et J2.



### Mode de mesure

Le signal de sortie désiré à la fois pour les sorties de température ( $T_{out}$ ) et de vitesse de l'air ( $v_{out}$ ) est sélectionné en installant des cavaliers sur les éléments de configuration correspondants T et v. Les deux sorties doivent être configurées séparément.





## 5. Mise en service, utilisation

### Option avec relais



Les paramètres du relais doivent être définis avant que la tension soit connectée aux branchements du relais. Ceci assure une sécurité pour l'homme contre une électrocution.

#### 1. Réglage du point de seuil

- Placer un cavalier sur les “bornes de seuil de commutation” (sw.p.).
- Presser la touche “Push” pour sélectionner le point de seuil pour le relais.

⇒ La valeur sélectionnée (m/s) apparaîtra sur l'affichage.

- Enregistrer le cavalier utilisé une fois que la configuration est complète.

#### 2. Réglage de l'hystérésis

- Placer un cavalier sur les “bornes d'hystérésis” (hyst.).
- Presser la touche “Push” pour sélectionner l'hystérésis pour le relais.

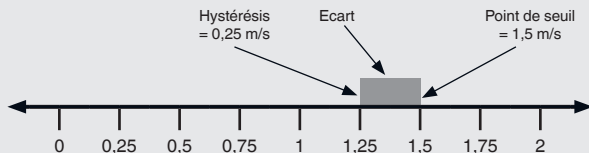
⇒ La valeur sélectionnée (m/s) apparaîtra sur l'affichage.

- Enregistrer le cavalier utilisé une fois que la configuration est complète.

### Hystérésis

L'hystérésis représente une bande morte  $\leq 20\%$  autour de la plage choisie, qui est fixée au point de seuil (sw.p.) et s'étend autour de lui de la plage d'hystérésis choisie (hyst.).

#### Hystérésis (exemple)



## 5. Mise en service ... / 6. Entretien et nettoyage

Dans l'exemple montré ici, le point de seuil est réglé sur 1,5 m/s et l'hystérésis sur 0,25 m/s. Lorsque la vitesse monte au-dessus 1,5 m/s, le relais s'ouvre ou se ferme. Lorsque la vitesse baisse à nouveau, le relais ne s'ouvre ou ne se ferme que si la vitesse descend en-dessous de la plage d'hystérésis (jusqu'à 1,25 m/s). Ceci est empêché par un contact inverseur rapide.

Le réglage maximum de l'hystérésis est basé sur la plage sélectionnée :

FR

Gamme en m/s	Hystérésis maximum en m/s
0 - 2	0,4
0 - 10	2
0 - 20	4

## 6. Entretien et nettoyage



Pour le détail des contacts, merci de consulter le chapitre 1 "Généralités" ou le dos du mode d'emploi.

### 6.1 Entretien

Cet instrument est sans entretien et offre une longue durée de fonctionnement à condition qu'il soit manipulé et actionné correctement.

Les réparations doivent être effectuées exclusivement par le fabricant ou par un personnel qualifié.

### 6.2 Nettoyage



#### **ATTENTION ! Blessures physiques et dommages aux équipements et à l'environnement**

Un nettoyage inapproprié peut conduire à des blessures physiques et à des dommages aux équipements ou à l'environnement. Les restes de fluides se trouvant dans les instruments démontés peuvent mettre en danger les personnes, l'environnement ainsi que l'installation.

- ▶ Effectuer la procédure de nettoyage comme décrit ci-dessous.

## 6. ... / 7. Démontage, retour et mise au rebut

1. Avant le nettoyage, éteindre et débrancher l'instrument du secteur.
2. Utiliser l'équipement de protection requis.
3. Nettoyer l'instrument avec un chiffon humide (eau savonneuse).  
Éviter tout contact des raccords électriques avec l'humidité !



### **ATTENTION !**

#### **Dommages à l'instrument**

Un nettoyage inapproprié peut conduire à l'endommagement de l'instrument !

- ▶ Ne pas utiliser de détergents agressifs.
- ▶ Ne pas utiliser d'objets pointus ou durs pour le nettoyage.

4. Laver et décontaminer l'instrument démonté afin de protéger les personnes et l'environnement contre le danger lié aux résidus de fluides.

FR

## 7. Démontage, retour et mise au rebut

### 7.1 Démontage



### **AVERTISSEMENT !**

#### **Blessures physiques et dommages aux équipements et à l'environnement liés aux résidus de fluides**

Lors du contact avec un fluide dangereux (par ex. oxygène, acétylène, substances inflammables ou toxiques), un fluide nocif (par ex. corrosif, toxique, cancérigène, radioactif), et également avec des installations de réfrigération et des compresseurs, il y a un danger de blessures physiques et de dommages aux équipements et à l'environnement.

- ▶ Avant de stocker l'instrument démonté (à la suite de son utilisation), le laver ou le nettoyer afin de protéger le personnel et l'environnement contre le danger lié aux résidus de fluides.
- ▶ Observer les informations de la fiche de données de sécurité du fluide correspondant.

## 7. Démontage, retour et mise au rebut



### AVERTISSEMENT !

#### Danger de brûlure

Durant le démontage, il y a un danger lié à l'échappement de fluides dangereusement chauds.

- ▶ Avant le démontage, laisser refroidir suffisamment l'instrument !

FR



### DANGER !

#### Danger vital à cause du courant électrique

Lors du contact avec des parties sous tension, il y a un danger vital direct.

- ▶ Le démontage de l'instrument ne doit être effectué que par du personnel qualifié.
- ▶ Retirer l'instrument une fois que le système a été isolé des sources d'énergie.



### AVERTISSEMENT !

#### Blessure physique

Lors du démontage, le danger peut provenir de fluides agressifs et de pressions élevées.

- ▶ Observer les informations de la fiche de données de sécurité du fluide correspondant.
- ▶ Démontez l'instrument lorsqu'il n'y a pas de pression.

### 7.2 Retour

#### En cas d'envoi de l'instrument, il faut respecter impérativement ceci :

Tous les instruments livrés à WIKA doivent être exempts de substances dangereuses (acides, bases, solutions, etc.) et doivent donc être nettoyés avant d'être retournés.



### AVERTISSEMENT !

#### Blessures physiques et dommages aux équipements et à l'environnement liés aux résidus de fluides

Les restes de fluides se trouvant dans les instruments démontés peuvent mettre en danger les personnes, l'environnement ainsi que l'installation.

- ▶ Avec les substances dangereuses, inclure la fiche technique de sécurité de matériau pour le fluide correspondant.
- ▶ Nettoyer l'instrument, voir chapitre 6.2 "Nettoyage".

## 7. Démontage ... / 8. Spécifications

Pour retourner l'instrument, utiliser l'emballage original ou un emballage adapté pour le transport.

### Pour éviter des dommages :

1. Emballer l'instrument dans une feuille de plastique antistatique.
2. Placer l'instrument avec le matériau isolant dans l'emballage.  
Isoler de manière uniforme tous les côtés de l'emballage de transport.
3. Mettre si possible un sachet absorbeur d'humidité dans l'emballage.
4. Indiquer lors de l'envoi qu'il s'agit d'un instrument de mesure très sensible à transporter.

FR



Des informations relatives à la procédure de retour sont disponibles sur notre site Internet à la rubrique "Services".

### 7.3 Mise au rebut

Une mise au rebut inadéquate peut entraîner des dangers pour l'environnement. Éliminer les composants des instruments et les matériaux d'emballage conformément aux prescriptions nationales pour le traitement et l'élimination des déchets et aux lois de protection de l'environnement en vigueur.



Ne pas mettre au rebut avec les ordures ménagères. Assurer une mise au rebut correcte en conformité avec les réglementations nationales.

## 8. Spécifications

### Instrument de mesure de la vitesse de l'air, type A2G-20

#### Version

- Version sans affichage LCD
- Version avec affichage LCD
- Version avec affichage LCD et sortie de commutation

#### Élément de mesure

Pt1000 (vitesse d'air) et NTC10k (température)

#### Etendue de mesure

##### Vitesse de l'air

0 ... 2 m/s, 0 ... 10 m/s ou 0 ... 20 m/s sont réglables par cavaliers sur l'instrument

##### Température

0 ... 50 °C [32 ... 122 °F]

## 8. Spécifications

### Instrument de mesure de la vitesse de l'air, type A2G-20

#### Incertitude

Vitesse de l'air	Etendue de mesure 0 ... 2 m/s : < 0,2 m/s +5 % de la valeur lue Etendue de mesure 0 ... 10 m/s : < 0,5 m/s +5 % de la valeur lue Etendue de mesure 0 ... 20 m/s : < 1,0 m/s +5 % de la valeur lue
------------------	---

Température <sup>1)</sup>	< 0,5 °C [0,9 °F] (v > 0,5 m/s)
---------------------------	---------------------------------

Tension d'alimentation U <sub>B</sub>	24 VDC / 24 VAC ±10 %
---------------------------------------	-----------------------

#### Signal de sortie

Vitesse de l'air	0 ... 10 VDC (linéaire à m/s) : charge min. 1 kΩ 4 ... 20 mA (linéaire à m/s) : charge max. 400 kΩ
------------------	---

Température	0 ... 10 VDC (linéaire à °C) : charge min. 1 kΩ 4 ... 20 mA, (linéaire à °C) : charge max. 400 kΩ
-------------	--

Raccordement électrique	Bornes à vis, presse-étoupe M16, max. 1,5 mm <sup>2</sup>
-------------------------	---

Sortie de commutation	3 bornes à vis max. 1,5 mm <sup>2</sup> (NC, COM, NO) Relais (libre de potentiel, contact inverseur, max. 250 VAC, 6 A, 30 VDC, 6 A, seuil de commutation et hystérésis réglables)
-----------------------	---

Boîtier	Plastique (ABS)
---------	-----------------

Affichage LCD	Affichage numérique 3 ½ digits avec éclairage de fond Taille : 46,7 x 12,7 mm
---------------	--

#### Températures admissibles

Fluide	0 ... 50 °C, max. 95 % h. r.
--------	------------------------------

Ambiante	0 ... 50 °C, max. 95 % h. r.
----------	------------------------------

Indice de protection	IP54 selon CEI/EN 60529
----------------------	-------------------------

Poids	220 g
-------	-------

Type de montage	Installation de conduit par bride de montage
-----------------	--

1) L'instrument est étalonné à 22 °C [71,6 °F].

Pour de plus amples spécifications, voir la fiche technique WIKA SP 69.06 et la documentation de commande.

# Contenido

<b>1. Información general</b>	<b>64</b>
<b>2. Diseño y función</b>	<b>65</b>
<b>3. Seguridad</b>	<b>67</b>
<b>4. Transporte, embalaje y almacenamiento</b>	<b>71</b>
<b>5. Puesta en servicio, funcionamiento</b>	<b>72</b>
<b>6. Mantenimiento y limpieza</b>	<b>78</b>
<b>7. Desmontaje, devolución y eliminación de residuos</b>	<b>79</b>
<b>8. Datos técnicos</b>	<b>81</b>

# 1. Información general

## 1. Información general

- El instrumento de medición de velocidad del aire descrito en el manual de instrucciones está construido y fabricado según el estado actual de la técnica. Todos los componentes están sometidos durante su fabricación a estrictos criterios de calidad y medioambientales. Nuestros sistemas de gestión están certificados según ISO 9001 e ISO 14001.
- Este manual de instrucciones proporciona indicaciones importantes acerca del manejo del instrumento. Para un trabajo seguro, es imprescindible cumplir con todas las instrucciones de seguridad y manejo indicadas.
- Cumplir siempre las normativas sobre la prevención de accidentes y las normas de seguridad en vigor en el lugar de utilización del instrumento.
- El manual de instrucciones es una parte integrante del instrumento y debe guardarse en la proximidad del mismo para que el personal especializado pueda consultarlo en cualquier momento. Entregar el manual de instrucciones al usuario o propietario siguiente del instrumento.
- El personal especializado debe haber leído y entendido el manual de instrucciones antes de comenzar cualquier trabajo.
- Se aplican las condiciones generales de venta incluidas en la documentación de venta.
- Modificaciones técnicas reservadas.
- Para obtener más información consultar:
  - Página web: [www.wika.es](http://www.wika.es) / [www.wika.com](http://www.wika.com)  
[www.wika.de/air2guide](http://www.wika.de/air2guide)
  - Hoja técnica correspondiente: SP 69.06

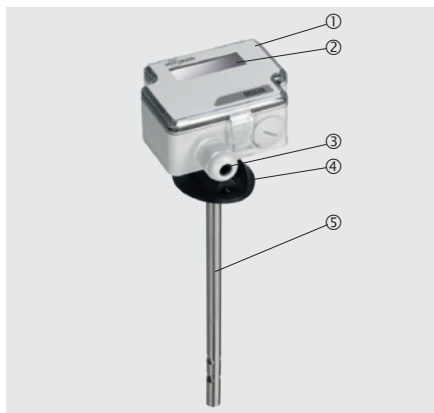
ES



## 2. Diseño y función

### 2. Diseño y función

#### 2.1 Resumen



ES

- ① Caja
- ② Pantalla LCD (opcional)
- ③ Entrada de cables para la conexión eléctrica
- ④ Brida de montaje
- ⑤ Casquillo del sensor

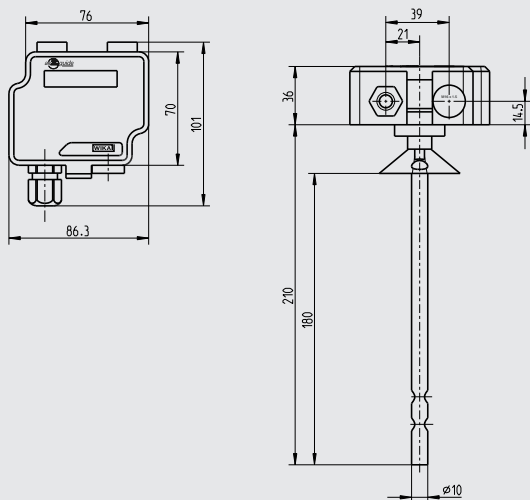
#### 2.2 Descripción

El instrumento de medición de velocidad del aire modelo A2G-20 se utiliza para medir las velocidades de flujo de medios gaseosos en sistemas de ventilación y climatización. El modelo A2G-20 dispone además de una medición de temperatura integrada.

Señales de salida eléctricas para ambas magnitudes a medir (DC 0 ... 10 V o 4 ... 20 mA, ajustable en el instrumento mediante jumpers) permiten la conexión directa a sistemas de control y regulación o al sistema de automatización de edificios.

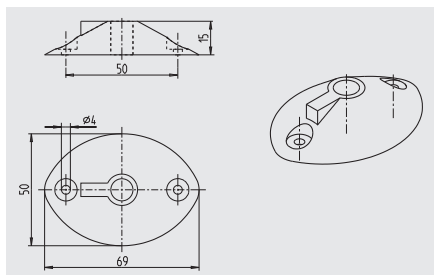
## 2. Diseño y función

### 2.3 Dimensiones en mm



ES

### Brida de montaje



## 2. Diseño y función / 3. Seguridad

### 2.4 Alcance del suministro

- Instrumento de medición de velocidad del aire
- Brida de montaje
- Disponible en tres variantes
  - Sin indicador
  - Con indicador
  - Con indicador y salida de conexión

Comparar mediante el albarán si se han entregado todas las piezas.

ES

## 3. Seguridad

### 3.1 Explicación de símbolos



#### ¡ADVERTENCIA!

... señala una situación probablemente peligrosa que puede causar la muerte o lesiones graves si no se evita.



#### ¡CUIDADO!

... señala una situación probablemente peligrosa que puede causar lesiones leves o medianas o daños materiales y al medio ambiente si no se evita.



#### ¡PELIGRO!

... identifica los peligros causados por la corriente eléctrica. La no observancia de las instrucciones de seguridad puede resultar en lesiones graves o la muerte.



#### ¡ADVERTENCIA!

... señala una situación de peligro que puede provocar quemaduras causadas por superficies o líquidos calientes si no se evita.



#### Información

... destaca consejos y recomendaciones útiles así como informaciones para una utilización eficiente y libre de errores.

## 3. Seguridad

### 3.2 Uso conforme a lo previsto

Este medidor de velocidad del aire se utiliza para medir la velocidad y la temperatura del aire y otros gases no inflamables y no hostiles de los sistemas de ventilación y aire acondicionado (por ejemplo, en los conductos de aire fresco/de escape).

¡Este dispositivo no está homologado para aplicaciones en zonas potencialmente explosivas!

ES

El instrumento ha sido diseñado y construido únicamente para la finalidad aquí descrita y debe utilizarse en conformidad a la misma.

Cumplir las especificaciones técnicas de este manual de instrucciones. Un manejo no apropiado o una utilización del instrumento no conforme a las especificaciones técnicas requiere la inmediata puesta fuera de servicio y la comprobación por parte de un técnico autorizado por WIKA.

No se admite ninguna reclamación debido a un manejo no adecuado.

### 3.3 Uso incorrecto



#### ¡ADVERTENCIA!

#### Lesiones por uso incorrecto

El uso incorrecto del dispositivo puede causar lesiones graves o la muerte.

- ▶ Abstenerse de realizar modificaciones no autorizadas del dispositivo.
- ▶ No utilizar el dispositivo en zonas potencialmente explosivas.
- ▶ No utilizar el instrumento para medios abrasivos ni viscosos.

Cualquier uso que no sea el previsto para este dispositivo es considerado como uso incorrecto.

No utilizar este instrumento en sistemas de seguridad o instrumentos de parada de emergencia.

## 3. Seguridad

### 3.4 Responsabilidad del usuario

El dispositivo se utiliza en el sector industrial. Por lo tanto, el usuario está sujeto a las responsabilidades legales para la seguridad en el trabajo.

Se debe cumplir las notas de seguridad en este manual de instrucciones, así como la validez de las normas de seguridad de la unidad, de prevención de accidentes y protección del medio ambiente.

El usuario está obligado a mantener la placa de identificación bien legible.

Para realizar un trabajo seguro en el instrumento el usuario ha de asegurarse de que,

- los operadores reciban periódicamente instrucciones sobre todos los temas de seguridad de trabajo, primeros auxilios y protección del medio ambiente, y conozcan además el manual de instrucciones y en particular las instrucciones de seguridad del mismo.
- el instrumento sea adecuado de acuerdo con el uso previsto para la aplicación.
- que el equipo de protección personal esté disponible.

### 3.5 Cualificación del personal



#### **¡ADVERTENCIA!**

#### **Riesgo de lesiones debido a una insuficiente cualificación**

Un manejo no adecuado puede causar considerables daños personales y materiales.

- ▶ Las actividades descritas en este manual de instrucciones deben realizarse únicamente por personal especializado con la consiguiente cualificación.

## 3. Seguridad

### Técnicos cualificados

Debido a su formación profesional, a sus conocimientos así como a su experiencia y su conocimiento de las normativas, normas y directivas vigentes en el país de utilización los técnicos cualificados son capacitados de ejecutar los trabajos en sistemas eléctricos y reconocer y evitar posibles peligros. Los técnicos cualificados han sido formados específicamente para sus tareas y conocen las normativas y disposiciones relevantes. Los técnicos cualificados deben cumplir las normativas sobre la prevención de accidentes en vigor.

ES

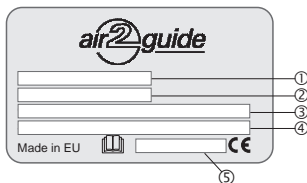
### Operarios

El personal formado por el usuario es capaz de realizar el trabajo descrito y de identificar los peligros potenciales debido a su formación, el conocimiento y la experiencia.

Algunas condiciones de uso específicas requieren conocimientos adicionales, p. ej. acerca de medios agresivos.

### 3.6 Rótulos, marcajes de seguridad

#### Placa de identificación (ejemplo)



- ① Modelo
- ② Rango de medición
- ③ Señal de salida
- ④ Alimentación auxiliar
- ⑤ Número de serie



¡Es absolutamente necesario leer el manual de instrucciones antes del montaje y la puesta en servicio del instrumento!

## 4. Transporte, embalaje y almacenamiento

### 4. Transporte, embalaje y almacenamiento

#### 4.1 Transporte

Comprobar si el instrumento presenta eventuales daños causados en el transporte.

Notificar daños obvios de forma inmediata.



#### ¡CUIDADO!

#### **Daños debidos a un transporte inadecuado**

Transportes inadecuados pueden causar daños materiales considerables.

- ▶ Tener cuidado al descargar los paquetes durante la entrega o el transporte dentro de la compañía y respetar los símbolos en el embalaje.
- ▶ Observar las instrucciones en el capítulo 4.2 “Embalaje y almacenamiento” en el transporte dentro de la compañía.

Si se transporta el instrumento de un ambiente frío a uno caliente, puede producirse un error de funcionamiento en el mismo. En tal caso, hay que esperar que la temperatura del instrumento se adapte a la temperatura ambiente antes de volver a ponerlo en funcionamiento.

#### 4.2 Embalaje y almacenamiento

No quitar el embalaje hasta justo antes del montaje.

Guardar el embalaje ya que es la protección ideal durante el transporte (por. ej. si el lugar de instalación cambia o si se envía el instrumento para posibles reparaciones).

#### **Condiciones admisibles en el lugar de almacenamiento:**

Temperatura de almacenamiento: -20 ... +70 °C

#### **Evitar lo siguiente:**

- Luz solar directa o proximidad a objetos calientes
- Vibración mecánica, impacto mecánico (colocación brusca)
- Hollín, vapor, humedad, polvo y gases corrosivos
- Entorno potencialmente explosivo, atmósferas inflamables

## 4. ... / 5. Puesta en servicio, funcionamiento

Almacenar el instrumento en su embalaje original en un lugar que cumple las condiciones arriba mencionadas. Si no se dispone del embalaje original, empaquetar y almacenar el instrumento como sigue:

1. Envolver el instrumento en una lámina de plástico antiestática.
2. Colocar el instrumento junto con el material aislante en el embalaje.
3. Para un almacenamiento prolongado (más de 30 días) meter una bolsa con un secante en el embalaje.

## ES 5. Puesta en servicio, funcionamiento



### ¡ADVERTENCIA!

#### **Lesiones corporales, daños materiales y del medio ambiente causados por medios peligrosos**

En caso de contacto con medios peligrosos (p. ej. oxígeno, acetileno, inflamables o tóxicos) medios nocivos para la salud (p. ej. corrosivas, tóxicas, cancerígenas radioactivas) y con sistemas de refrigeración o compresores existe el peligro de lesiones corporales, daños materiales y del medio ambiente. En caso de fallo es posible que haya medios agresivos con temperaturas extremas o de bajo presión o que haya un vacío en el instrumento.

- ▶ En el tratamiento de estos medios se debe observar las reglas específicas además de las reglas generales.



### ¡CUIDADO!

#### **Daño al dispositivo**

Cuando se trabaja con circuitos abiertos (tarjeta de circuitos), existe el peligro de dañar los componentes electrónicos sensibles por descargas electrostáticas.

- ▶ Se requiere el uso adecuado de las plataformas o superficies de trabajo con toma a tierra y el uso de pulseras.



## 5. Puesta en servicio, funcionamiento



**¡PELIGRO!**

**Peligro de muerte por corriente eléctrica**

Existe peligro directo de muerte al tocar piezas bajo tensión.

- ▶ La instalación y el montaje del instrumento deben estar exclusivamente a cargo del personal especializado.
- ▶ ¡Si se hace funcionar con una fuente de alimentación defectuosa (p. ej. cortocircuito de la tensión de red a la tensión de salida), pueden generarse tensiones letales en el instrumento!

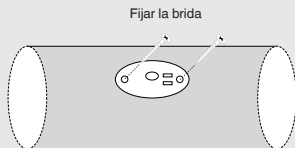
Para la puesta en servicio es imprescindible instalar correctamente todas las líneas de alimentación, conmutación, medición y presión. Antes de la puesta en marcha, comprobar la estanqueidad de las líneas de conexión a presión.

ES

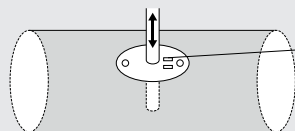
### 5.1 Montaje mecánico

El instrumento de medición de velocidad del aire se instala en el canal. El cable para la tensión de alimentación y el cable para la conexión del relé (opcional) deben ir por separado cuando se deban conmutar tensiones altas (no la tensión extrabaja de seguridad) con el relé. Para los dos cables se dispone de un prensaestopa cada uno.

#### Montaje de la brida



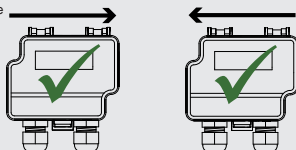
Colocar el manguito o vena de acero de la sonda en la brida



## 5. Puesta en servicio, funcionamiento

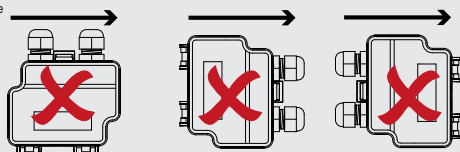
### Alineación del instrumento

Dirección de la corriente de aire



Alivio de tensión hacia abajo

Dirección de la corriente de aire



ES

### 5.2 Montaje eléctrico

Los instrumentos son previstos para la utilización con baja tensión de protección (SELV). Para la conexión eléctrica de los aparatos se aplican los datos técnicos de los aparatos. Si se utilizan sensores con convertidores de medición, utilizarlos en el centro de la zona de medición porque en las extremidades pueden manifestarse elevadas diferencias. La temperatura ambiente de la electrónica de convertidores de medición debe mantenerse constante.

Los convertidores de medición deben utilizarse con una tensión de trabajo ( $\pm 0,2$  V) constante. Hay que evitar picos de corriente/tensión al conectar/desconectar la tensión de alimentación.

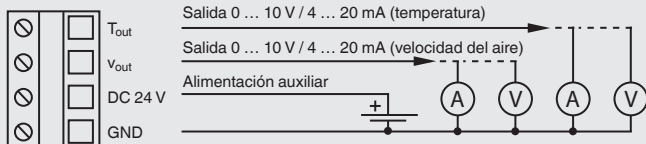
### Esquema de conexión

El medidor de velocidad del aire tiene dos alivios de tensión en la parte inferior. El alivio de tensión izquierdo se utiliza para la entrada de corriente y la salida de señal ( $T_{out}/V_{out}$ ) y el derecho para el relé. Para la conformidad CE se requiere un cable blindado debidamente conectado a tierra.

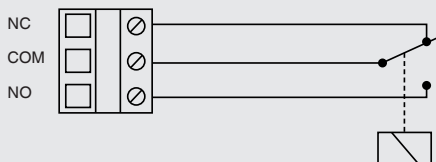
1. Desenroscar el alivio de tensión y pase el cable.
2. Conecte los cables como se muestra en la siguiente ilustración.
3. Apretar los tornillos de los terminales de conexión.

## 5. Puesta en servicio, funcionamiento

### Señal de salida



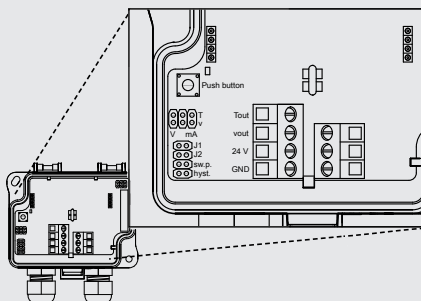
### Salida de conmutación de relé



### 5.3 Configuración

La configuración del medidor de velocidad del aire incluye el ajuste del rango de medición y el modo de medición, así como la opción con relé a través de los elementos de configuración.

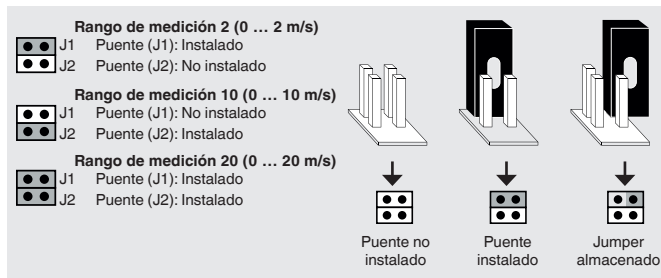
### Elementos de configuración



## 5. Puesta en servicio, funcionamiento

### Rango de medición

El rango de medición se ajusta mediante la instalación de puentes en los elementos de configuración correspondientes J1 y J2.



### Modo de medición

La señal de salida deseada para las salidas de temperatura ( $T_{out}$ ) y de velocidad del aire ( $v_{out}$ ) se selecciona instalando jumpers en los elementos de configuración correspondientes T y v. Ambas salidas deben configurarse por separado.



T Salida de temperatura ( $T_{out}$ ) ⇒ T = tensión (V)

v Salida de velocidad del aire ( $v_{out}$ ) ⇒ v = tensión (V)



T Salida de temperatura ( $T_{out}$ ) ⇒ T = corriente (mA)

v Salida de velocidad del aire ( $v_{out}$ ) ⇒ v = corriente (mA)



T Salida de temperatura ( $T_{out}$ ) ⇒ T = tensión (V)

v Salida de velocidad del aire ( $v_{out}$ ) ⇒ v = corriente (mA)



T Salida de temperatura ( $T_{out}$ ) ⇒ T = corriente (mA)

v Salida de velocidad del aire ( $v_{out}$ ) ⇒ v = tensión (V)

## 5. Puesta en servicio, funcionamiento

### Opción con relés



Los parámetros del relé deben ajustarse antes de conectar la tensión a las conexiones del relé. Eso sirve para evitar descargas eléctricas.

#### 1. Ajuste del punto de conmutación

- Colocar un jumper en los “pines de umbral de conmutación” (sw.p.).
- Presione el “pulsador” para seleccionar el punto de conmutación del relé.

⇒ El valor seleccionado (m/s) se mostrará en la pantalla.

- Guardar el jumper utilizado, una vez completada la configuración.

#### 2. Ajustar la histéresis

- Colocar un jumper en los “pines de histéresis” (hyst.).
- Presione el “botón” para seleccionar la histéresis del relé.

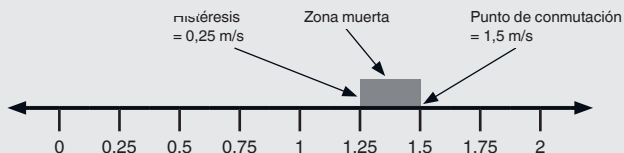
⇒ El valor seleccionado (m/s) se mostrará en la pantalla.

- Guardar el jumper utilizado, una vez completada la configuración.

### Histéresis

La histéresis representa una zona muerta  $\leq 20\%$  alrededor del rango seleccionado, que se ancla en el punto de conmutación (sw.p.) y se extiende alrededor de él por el rango de histéresis seleccionado (hyst.).

#### Histéresis (ejemplo)



## 5. Puesta en ... / 6. Mantenimiento y limpieza

En el ejemplo mostrado, el punto de conmutación se ajusta a 1,5 m/s y la histéresis a 0,25 m/s. Cuando la velocidad supera los 1,5 m/s, el relé se abre o se cierra. Cuando la velocidad desciende posteriormente, el relé sólo se abre o se cierra de nuevo si la velocidad cae por debajo del rango de histéresis (hasta 1,25 m/s). Esto impide un cambio rápido.

El ajuste máximo de la histéresis se basa en el rango seleccionado:

Rango en m/s	Histéresis máxima en m/s
0 - 2	0,4
0 - 10	2
0 - 20	4

ES

## 6. Mantenimiento y limpieza



Datos de contacto ver capítulo 1 “Información general” o parte posterior del manual de instrucciones.

### 6.1 Mantenimiento

Este dispositivo no requiere mantenimiento y se caracteriza por una larga vida útil si se manipula y opera adecuadamente.

Todas las reparaciones solamente las debe efectuar el fabricante o personal especializado e instruido.

### 6.2 Limpieza



#### ¡CUIDADO!

#### Lesiones corporales, daños materiales y del medio ambiente

Una limpieza inadecuada provoca lesiones corporales, daños materiales y del medio ambiente. Medios residuales en el instrumento desmontado pueden causar riesgos para personas, medio ambiente e instalación.

- Realizar el proceso de limpieza tal como se describe a continuación.

## 6. ... / 7. Desmontaje, devolución y eliminación ...

1. Antes de la limpieza apagar el aparato y desenchufarlo de la red de suministro.
2. Utilizar el equipo de protección necesario.
3. Limpiar el instrumento con un trapo humedecido (en lejía de jabón).  
¡No poner las conexiones eléctricas en contacto con la humedad!



### ¡CUIDADO!

#### **Daño al dispositivo**

¡Una limpieza inadecuada puede dañar el dispositivo!

- ▶ No utilizar productos de limpieza agresivos.
- ▶ No utilizar objetos duros o puntiagudos para limpiar.

4. Enjuagar y limpiar el dispositivo desmontado para proteger a las personas y el medio ambiente contra peligros por medios residuales adherentes.

ES

## 7. Desmontaje, devolución y eliminación de residuos

### 7.1 Desmontaje



### ¡ADVERTENCIA!

#### **Lesiones corporales, daños materiales y del medio ambiente por medios residuales**

En caso de contacto con medios peligrosos (p. ej. oxígeno, acetileno, inflamables o tóxicos) medios nocivos para la salud (p. ej. corrosivas, tóxicas, cancerígenas radioactivas) y con sistemas de refrigeración o compresores existe el peligro de lesiones corporales, daños materiales y del medio ambiente.

- ▶ Enjuagar y limpiar el dispositivo desmontado (tras servicio) antes de proceder a su almacenaje para proteger a las personas y el medio ambiente de la exposición a medios adherentes.
- ▶ Observar la ficha de datos de seguridad correspondiente al medio.

## 7. Desmontaje, devolución y eliminación de residuos



### ¡ADVERTENCIA!

#### Riesgo de quemaduras

Peligro debido a medios muy calientes que se escapan durante el desmontaje.

- ▶ ¡Dejar enfriar el instrumento lo suficiente antes de desmontarlo!



### ¡PELIGRO!

#### Peligro de muerte por corriente eléctrica

Existe peligro directo de muerte al tocar piezas bajo tensión.

- ▶ El desmontaje del instrumento solo puede ser realizado por personal especializado.
- ▶ Desmontar el instrumento solo en estado de desconexión de la red.



### ¡ADVERTENCIA!

#### Lesión corporal

Al desmontar existe el peligro debido a los medios agresivos y altas presiones.

- ▶ Observar la ficha de datos de seguridad correspondiente al medio.
- ▶ Desmontar el instrumento solo si no está sometido a presión.

### 7.2 Devolución

#### Es imprescindible observar lo siguiente para el envío del instrumento:

Todos los instrumentos enviados a WIKA deben estar libres de sustancias peligrosas (ácidos, lejías, soluciones, etc.) y, por lo tanto, deben limpiarse antes de devolver.



### ¡ADVERTENCIA!

#### Lesiones corporales, daños materiales y del medio ambiente por medios residuales

Medios residuales en el instrumento desmontado pueden causar riesgos para personas, medio ambiente e instalación.

- ▶ En caso de sustancias peligrosas adjuntar la ficha de datos de seguridad correspondiente al medio.
- ▶ Limpiar el dispositivo, consultar capítulo 6.2 "Limpieza".



## 7. Desmontaje ... / 8. Datos técnicos

Utilizar el embalaje original o un embalaje adecuado para la devolución del instrumento.

### Para evitar daños:

1. Envolver el instrumento en una lámina de plástico antiestática.
2. Colocar el instrumento junto con el material aislante en el embalaje. Aislar uniformemente todos los lados del embalaje de transporte.
3. Si es posible, adjuntar una bolsa con secante.
4. Aplicar un marcado de que se trata del envío de un instrumento de medición altamente sensible.



Comentarios sobre el procedimiento de las devoluciones encuentra en el apartado “Servicio” en nuestra página web local.

ES

### 7.3 Eliminación de residuos

Una eliminación incorrecta puede provocar peligros para el medio ambiente. Eliminar los componentes de los instrumentos y los materiales de embalaje conforme a los reglamentos relativos al tratamiento de residuos y eliminación vigentes en el país de utilización.



No eliminar en las basuras domésticas. Garantizar una eliminación correcta según las prescripciones nacionales.

## 8. Datos técnicos

### Instrumento de medición de velocidad del aire, modelo A2G-20

<b>Versión</b>	<ul style="list-style-type: none"><li>■ Versión sin pantalla LC</li><li>■ Versión con pantalla LC</li><li>■ Versión con pantalla LC y salida de conmutación</li></ul>
<b>Elemento sensible</b>	Pt1000 (velocidad del aire) y NTC10k (temperatura)
<b>Rango de medición</b>	
Velocidad del aire	0 ... 2 m/s, 0 ... 10 m/s o 0 ... 20 m/s ajustable en el instrumento mediante jumper
Temperatura	0 ... 50 °C [32 ... 122 °F]

## 8. Datos técnicos

### Instrumento de medición de velocidad del aire, modelo A2G-20

#### Exactitud

Velocidad del aire	Rango de medición: 0 ... 2 m/s: < 0,2 m/s +5 % del valor de medición Rango de medición 0 ... 10 m/s: < 0,5 m/s +5 % del valor de medición Rango de medición 0 ... 20 m/s: < 1,0 m/s +5 % del valor de medición
--------------------	--

Temperatura <sup>1)</sup>	< 0,5 °C [0,9 °F] (v > 0,5 m/s)
---------------------------	---------------------------------

<b>Alimentación auxiliar U<sub>B</sub></b>	DC 24 V/AC 24 V ±10 %
--	-----------------------

#### Señal de salida

Velocidad del aire	DC 0 ... 10 V (lineal a m/s): Carga mín. 1 kΩ 4 ... 20 mA (lineal a m/s): Carga máx. 400 Ω
--------------------	---

Temperatura	DC 0 ... 10 V (lineal a °C): Carga mín. 1 kΩ 4 ... 20 mA (lineal a °C): Carga máx. 400 Ω
-------------	---

<b>Conexión eléctrica</b>	Bornes roscados / prensaestopa M16 / máx. 1,5 mm <sup>2</sup>
---------------------------	---

<b>Salida de conmutación</b>	3 bornes roscados máx. 1,5 mm <sup>2</sup> (NC, COM, NO) Relé (libre de potencial, conmutador, máx. AC 250 V, 6 A, DC 30 V, 6 A, umbral de conmutación y histéresis ajustables)
------------------------------	--

<b>Caja</b>	Plástico (ABS)
-------------	----------------

<b>Pantalla LCD</b>	Indicador de 3 ½ dígitos con retroiluminación Tamaño: 46,7 x 12,7 mm
---------------------	---

#### Temperaturas admisibles

Medio	0 ... 50 °C, máx. 95 % h.r.
-------	-----------------------------

Ambiente	0 ... 50 °C, máx. 95 % h.r.
----------	-----------------------------

<b>Tipo de protección</b>	IP54 según IEC/EN 60529
---------------------------	-------------------------

<b>Peso</b>	220 g
-------------	-------

<b>Tipo de montaje</b>	Instalación de conductos mediante brida de montaje
------------------------	--

1) El instrumento está calibrado a 22 °C [71,6 °F].

Para consultar más datos técnicos véase hoja técnica de WIKA SP 69.06 y la documentación de pedido.

# Contenuti

<b>1. Informazioni generali</b>	<b>84</b>
<b>2. Esecuzione e funzioni</b>	<b>85</b>
<b>3. Sicurezza</b>	<b>87</b>
<b>4. Trasporto, imballo e stoccaggio</b>	<b>91</b>
<b>5. Messa in servizio, funzionamento</b>	<b>92</b>
<b>6. Manutenzione e pulizia</b>	<b>98</b>
<b>7. Smontaggio, resi e smaltimento</b>	<b>99</b>
<b>8. Specifiche tecniche</b>	<b>101</b>

# 1. Informazioni generali

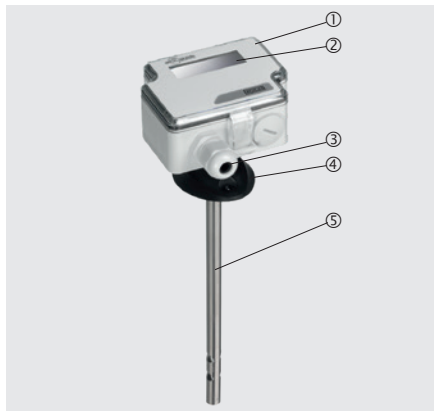
## 1. Informazioni generali

- Il Misuratore della velocità dell'aria descritto nel manuale d'uso è stato progettato e fabbricato secondo lo stato dell'arte della tecnica. Tutti i componenti sono soggetti a severi controlli di qualità ed ambientali durante la produzione. I nostri sistemi di qualità sono certificati ISO 9001 e ISO 14001.
- Questo manuale d'uso contiene importanti informazioni sull'uso dello strumento. Lavorare in sicurezza implica il rispetto delle istruzioni di sicurezza e di funzionamento.
- IT ■ Osservare le normative locali in tema di prevenzione incidenti e le regole di sicurezza generali per il campo d'impiego dello strumento.
- Queste istruzioni sono parte del prodotto e come tale devono essere conservate nelle immediate vicinanze dello strumento e subito accessibili al personale qualificato in qualsiasi momento. Trasferire le istruzioni d'uso e manutenzione all'operatore o al possessore successivo.
- Il manuale d'uso deve essere letto con attenzione e compreso dal personale qualificato prima dell'inizio di qualsiasi attività.
- Si applicano le nostre condizioni generali di vendita, allegate alla conferma d'ordine.
- Soggetto a modifiche tecniche.
- Ulteriori informazioni:
  - Indirizzo Internet: [www.wika.it](http://www.wika.it)  
[www.air2guide.com](http://www.air2guide.com)
  - Scheda tecnica prodotto: SP 69.06

## 2. Esecuzione e funzioni

### 2. Esecuzione e funzioni

#### 2.1 Panoramica



IT

- ① Custodia
- ② Display LCD (opzionale)
- ③ Entrata cavo per il collegamento elettrico
- ④ Flangia di montaggio
- ⑤ Manicotto della sonda

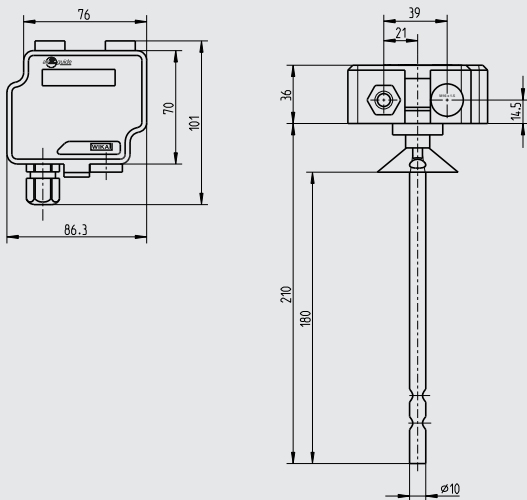
#### 2.2 Descrizione

Il misuratore di velocità dell'aria A2G-20 viene impiegato per la misura della portata di fluidi gassosi nei settori della ventilazione e condizionamento dell'aria. L'A2G-20 è anche dotato di una misura di temperatura integrata.

I segnali di uscita elettrici per entrambe le grandezze fisiche (0 ... 10 Vcc o 4 ... 20 mA regolabile sullo strumento tramite ponticelli) consentono il collegamento diretto ai sistemi di controllo o al sistema di automazione dell'edificio.

## 2. Esecuzione e funzioni

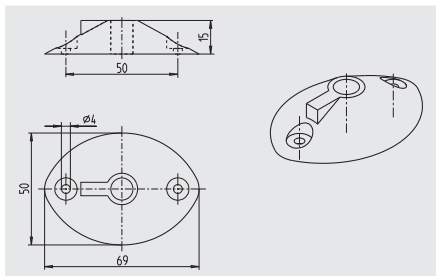
### 2.3 Dimensioni in mm



40340201.01

IT

### Flangia di montaggio



### 2.4 Scopo di fornitura

- Misuratore della velocità dell'aria
- Flangia di montaggio
- Disponibile in tre varianti:
  - Senza display
  - Con display
  - Con display e uscita di commutazione

Controllare lo scopo di fornitura con il documento di consegna / trasporto.

## 3. Sicurezza

IT

### 3.1 Legenda dei simboli



#### **ATTENZIONE!**

... indica una situazione di potenziale pericolo che, se non evitata, può causare lesioni gravi o morte.



#### **CAUTELA!**

... indica un situazione potenzialmente pericolosa che può provocare, se non evitata, ferite lievi o danni alle cose o all'ambiente.



#### **PERICOLO!**

... identifica pericoli causati dalla alimentazione elettrica. Se non vengono osservate le istruzioni relative alla sicurezza, c'è il rischio che possano verificarsi lesioni gravi o morte.



#### **ATTENZIONE!**

... indica una situazione di potenziale pericolo che, se non evitata, può causare ustioni causate da superfici o liquidi bollenti.



#### **Informazione**

... fornisce suggerimenti utili e raccomandazioni per l'utilizzo efficiente e senza problemi dello strumento.

## 3. Sicurezza

### 3.2 Destinazione d'uso

Il misuratore di velocità dell'aria è utilizzato per misurare la velocità e la temperatura dell'aria e di alti gas non infiammabili e non aggressivi di impianti di ventilazione e condizionamento (p.e. in condotti di aria fresca/ di scarico).

Non è consentito l'utilizzo di questo strumento in aree pericolose!

Lo strumento è stato progettato e costruito esclusivamente per la sua destinazione d'uso e può essere impiegato solo per questa.

IT

Le specifiche tecniche riportate in questo manuale d'uso devono essere rispettate. L'uso improprio dello strumento al di fuori delle specifiche tecniche richiede che lo strumento venga messo immediatamente fuori servizio e che venga ispezionato da un tecnico WIKA autorizzato.

Il costruttore non è responsabile per reclami di qualsiasi natura in caso di utilizzo dello strumento al di fuori della sua destinazione d'uso.

### 3.3 Uso improprio



#### **ATTENZIONE!**

#### **Lesioni derivanti da uso improprio**

L'uso improprio dello strumento può provocare situazioni pericolose o lesioni.

- ▶ Astenersi dall'effettuare modifiche non autorizzate allo strumento.
- ▶ Non utilizzare lo strumento all'interno di aree pericolose.
- ▶ Non utilizzare lo strumento con fluidi abrasivi o viscosi.

Qualsiasi utilizzo dello strumento al di fuori o diverso da quello previsto è considerato uso improprio.

Non utilizzare questo strumento in dispositivi di arresto di sicurezza o di emergenza.



## 3. Sicurezza

### 3.4 Responsabilità dell'operatore

Lo strumento è utilizzato nel settore industriale. L'operatore è quindi responsabile per gli obblighi di legge in materia di sicurezza sul lavoro.

Le istruzioni di sicurezza all'interno di questo manuale d'uso, così come la sicurezza, la prevenzione degli incidenti e le normative di tutela ambientale per l'area di applicazione devono essere rispettati.

L'operatore è obbligato a mantenere sempre perfettamente leggibile l'etichetta dello strumento.

Allo scopo di assicurare il funzionamento sicuro dello strumento, la società operatrice deve assicurare

- e che il personale sia adeguatamente istruito su tutti gli aspetti relativi alla sicurezza sul lavoro, primo soccorso e protezione dell'ambiente e che conosca le istruzioni operative ed in particolare di sicurezza ivi contenute.
- che lo strumento è adatto alla particolare applicazione in accordo con la sua destinazione d'uso.
- che siano disponibili i dispositivi di protezione individuale.

IT

### 3.5 Qualificazione del personale



#### **ATTENZIONE!**

#### **Rischio di lesioni in caso di personale non qualificato**

L'uso improprio può condurre a lesioni gravi o danni alle apparecchiature.

- ▶ Le attività riportate in questo manuale d'uso possono essere effettuate solo da personale in possesso delle qualifiche riportate di seguito.

## 3. Sicurezza

### Personale qualificato per la parte elettrica

Per personale qualificato per le parti elettriche si intende personale che, sulla base dei corsi di formazione tecnica, delle proprie conoscenze tecniche di strumentazione e controllo e delle normative nazionali e sulla base della propria esperienza, è in grado di portare a termine il lavoro sulle parti elettriche e riconoscere autonomamente potenziali pericoli. Il personale qualificato per le parti elettriche deve essere formato in modo specifico per l'ambiente di lavoro e conoscere i relativi regolamenti e standard nazionali. Il personale qualificato per le parti elettriche deve rispondere ai regolamenti nazionali in termini di prevenzione degli incidenti sul lavoro.

IT

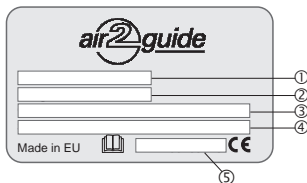
### Personale operativo

Per personale formato dall'operatore si intende personale che, sulla base della propria istruzione, conoscenza ed esperienza, sia in grado di svolgere il lavoro descritto e riconoscere autonomamente potenziali pericoli.

Eventuali condizioni operative speciali richiedono inoltre conoscenze specifiche, es. fluidi aggressivi.

## 3.6 Etichettatura, simboli per la sicurezza

### Etichetta prodotto (esempio)



- ① Modello
- ② Campo di misura
- ③ Segnale di uscita
- ④ Tensione di alimentazione
- ⑤ Numero di serie



Prima di montare e installare lo strumento, assicurarsi di avere letto attentamente il manuale d'uso!

## 4. Trasporto, imballo e stoccaggio

### 4. Trasporto, imballo e stoccaggio

#### 4.1 Trasporto

Verificare che lo strumento non abbia subito danni nel trasporto. Danni evidenti devono essere segnalati tempestivamente.



#### **CAUTELA!**

#### **Danni dovuti a trasporto improprio**

Con un trasporto non corretto, lo strumento può subire danni gravi.

- ▶ Quando le merci imballate si scaricano al momento della consegna, così come durante il trasporto interno, procedere con cautela e osservare i simboli riportati sull'imballo.
- ▶ In caso di trasporti interni, osservare le istruzioni riportate nel capitolo 4.2 "Imballaggio e stoccaggio".

Se lo strumento viene spostato da un ambiente freddo a uno caldo, la formazione di condensa può portare a un malfunzionamento dello strumento. Prima di mettere in funzione lo strumento, attendere che la temperatura dello strumento e quella dell'ambiente si equalizzino.

#### 4.2 Imballaggio e stoccaggio

Rimuovere l'imballo solo appena prima dell'installazione.

Conservare l'imballo per proteggere lo strumento in successivi trasporti (es. variazione del sito di installazione, invio in riparazione).

#### **Condizioni consentite per lo stoccaggio:**

Temperatura di stoccaggio: -20 ... +70 °C

#### **Evitare l'esposizione ai seguenti fattori:**

- Esposizione diretta al sole o prossimità con oggetti molto caldi
- Vibrazioni e shock meccanici (posare lo strumento in modo energico)
- Fuliggine, vapori, umidità, polvere e gas corrosivi
- Ambienti pericolosi, atmosfere infiammabili

## 4. Trasporto ... / 5. Messa in servizio, funzionamento

Conservare lo strumento nel suo imballo originale in un luogo rispondente alle condizioni riportate sopra. Se l'imballo originale non è disponibile, imballare e conservare lo strumento come indicato di seguito:

1. Avvolgere lo strumento con una pellicola antistatica.
2. Riporre lo strumento nella scatola con materiale assorbente gli urti.
3. Se deve essere conservato per un periodo prolungato (più di 30 giorni), includere una bustina di gel antiumidità all'interno dell'imballo.

## 5. Messa in servizio, funzionamento

IT



### **ATTENZIONE!**

#### **Lesioni fisiche e danni alle cose e all'ambiente causati da fluidi pericolosi**

A contatto con fluidi pericolosi (ad esempio ossigeno, acetilene, sostanze infiammabili o tossiche), con fluidi nocivi (ad esempio corrosivi, tossici, cancerogeni, radioattivi), e anche con impianti di refrigerazione e compressori, vi è il rischio di lesioni fisiche e danni alle cose e dell'ambiente. In caso di guasto, nello strumento possono essere presenti fluidi aggressivi con temperature estreme, alta pressione o vuoto.

- ▶ Per questi fluidi, devono essere seguiti appropriati codici o regolamenti in aggiunta a tutte le normative standard esistenti.



### **CAUTELA!**

#### **Danni allo strumento**

Quando si lavora su circuiti elettrici aperti (circuiti stampati) c'è il rischio di danneggiare componenti elettronici sensibili a causa di scariche elettrostatiche.

- ▶ È richiesto il corretto utilizzo di superfici di lavoro messe a terra e di bracciali individuali.

## 5. Messa in servizio, funzionamento



### PERICOLO!

#### Pericolo di morte causato dalla corrente elettrica

A contatto con le parti in tensione, c'è un pericolo diretto di morte.

- ▶ Lo strumento deve essere installato e montato solamente da personale qualificato.
- ▶ Il funzionamento con un alimentatore difettoso (es. in cortocircuito dalla rete verso l'uscita) può causare tensioni pericolose allo strumento!

Un prerequisito per la messa in funzione dello strumento è che tutte le linee di alimentazione, di controllo e di misura e la connessione al processo siano realizzate correttamente. Prima della messa in servizio, è necessario controllare la tenuta delle linee di collegamento della pressione.

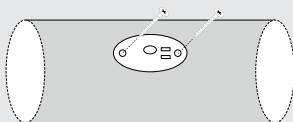
IT

### 5.1 Montaggio meccanico

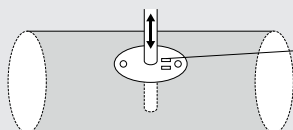
Il misuratore della velocità dell'aria è installato nel condotto. Il cavo di alimentazione della tensione e il cavo di collegamento del relè (opzionale) devono essere posati in modo separato nel caso il relè sia sottoposto a tensioni elevate (non a bassissima tensione di sicurezza). Per ciascun cavo è previsto un ingresso separato.

#### Montaggio della flangia

Fissare la flangia



Posizionare il manicotto della sonda nella flangia



Serrare le vite per fissare la sonda

## 5. Messa in servizio, funzionamento

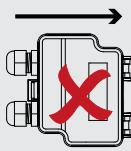
### Orientamento dello strumento

Direzione  
flusso aria



Tirare il serracavo verso il basso

Direzione  
flusso aria



IT

### 5.2 Montaggio elettrico

Gli strumenti sono progettati per funzionare con bassissima tensione di sicurezza (SELV - Safety Extra Low Voltage). Per il collegamento elettrico si devono osservare le specifiche tecniche di questi strumenti. Di regola, i sensori con trasmettitori devono essere utilizzati con i valori medi del campo di misura, in quanto possono verificarsi delle elevate deviazioni se utilizzati con i valori limite. La temperatura ambiente all'elettronica del trasmettitore deve essere costante.

Il trasmettitore deve essere utilizzato con una tensione operativa costante ( $\pm 0,2$  V). Il cliente è tenuto a evitare che si verifichino picchi di corrente/tensione accendendo o spegnendo l'alimentazione elettrica.

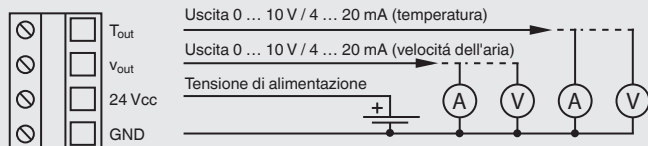
### Schema di collegamento

Il misuratore di velocità dell'aria è dotato di due dispositivi antistrappo sul lato inferiore. Il serracavo a sinistra è utilizzato per l'ingresso di corrente e l'uscita del segnale ( $T_{out}/V_{out}$ ), quello a destra per il relè. Per rispettare la conformità CE, è richiesto un cavo di schermatura dotato di messa a terra.

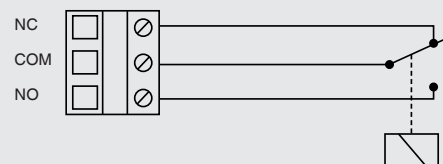
1. Svitare il dispositivo antistrappo e inserire il cavo.
2. Collegare i fili come mostrato nella figura in basso.
3. Serrare il dispositivo antistrappo.

## 5. Messa in servizio, funzionamento

### Segnale di uscita



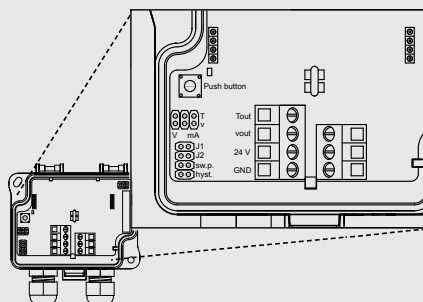
### Uscita di commutazione relè



### 5.3 Configurazione

Nella configurazione del misuratore di velocità dell'aria sono incluse l'impostazione del campo di misura e della modalità di misura, così come l'opzione con relè mediante gli elementi di configurazione.

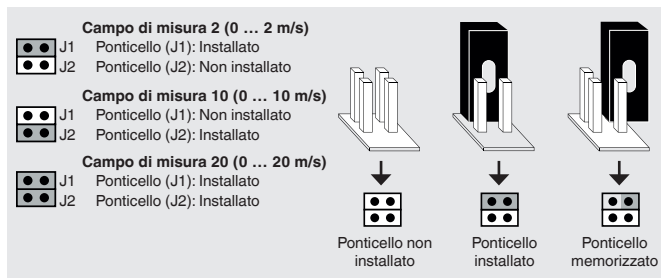
### Elementi di configurazione



## 5. Messa in servizio, funzionamento

### Campo di misura

Il campo di misura viene impostato installando ponticelli sugli elementi di configurazione corrispondenti J1 e J2.



IT

### Modalità di misura

Il segnale di uscita desiderato sia per l'uscita della temperatura ( $T_{out}$ ) sia per quella della velocità dell'aria ( $v_{out}$ ) viene selezionato installando ponticelli sugli elementi di configurazione corrispondenti T e v. Le due uscite devono essere configurate separatamente.





## 5. Messa in servizio, funzionamento

### Opzione con relè



I parametri del relè devono essere regolati prima che il relè venga collegato alla tensione. In questo modo si evitano scosse elettriche.

#### 1. Impostazione del punto di intervento

- Posizionare un ponticello sui “pin della soglia di commutazione” (sw.p.).
- Premere il “pulsante” per selezionare il punto di intervento per il relè.  
⇒ Il valore selezionato (m/s) viene visualizzato sul display.
- Una volta completata la configurazione, memorizzare il ponticello utilizzato.

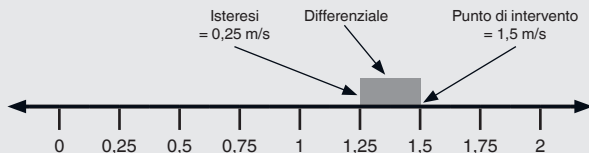
#### 2. Impostazione dell'isteresi

- Posizionare un ponticello sui “pin di isteresi” (hyst.).
- Premere il “pulsante” per selezionare l'isteresi per il relè.  
⇒ Il valore selezionato (m/s) viene visualizzato sul display.
- Una volta completata la configurazione, memorizzare il ponticello utilizzato.

### Isteresi

L'isteresi rappresenta un differenziale  $\leq 20\%$  intorno al campo selezionato, che si ancora al punto di intervento (sw.p.) e si estende intorno ad esso per il campo di isteresi selezionato (hyst.).

#### Isteresi (esempio)



## 5. Messa in servizio ... / 6. Manutenzione e pulizia

Nell'esempio mostrato, il punto di intervento è impostato su 1,5 m/s e l'isteresi su 0,25 m/s. Non appena la velocità supera 1,5 m/s, il relè si apre o si chiude. Quando successivamente la velocità cala, il relè si apre o si chiude nuovamente solo se la velocità scende al di sotto del campo di isteresi (a 1,25 m/s). Questo consente di impedire uno scambio rapido.

L'impostazione massima dell'isteresi si basa sul campo selezionato:

Campo in m/s	Isteresi massima in m/s
0 - 2	0,4
0 - 10	2
0 - 20	4

IT

## 6. Manutenzione e pulizia



Per informazioni dettagliate, vedere il capitolo 1 "Informazioni generali" o il retro del manuale d'uso.

### 6.1 Manutenzione

Lo strumento non richiede manutenzione e, se utilizzato in modo corretto, garantisce una lunga durata.

Le riparazioni devono essere effettuate solo dal costruttore o da personale adeguatamente qualificato.

### 6.2 Pulizia



#### **CAUTELA!**

#### **Lesioni fisiche e danni alle cose e all'ambiente**

Una pulizia impropria può provocare lesioni fisiche e danni alle cose e all'ambiente. Fluidi residui presenti all'interno dello strumento smontato possono causare rischi a persone, all'ambiente e allo strumento stesso.

- ▶ Effettuare la pulizia come descritto di seguito.

## 6. ... / 7. Smontaggio, resi e smaltimento

1. Prima di eseguire la pulizia, spegnere e scollegare lo strumento dalla rete.
2. Utilizzare i dispositivi di protezione necessari.
3. Pulire lo strumento con un panno umido (acqua insaponata).  
Le connessioni elettriche non devono venire in contatto con umidità!



### **CAUTELA!**

#### **Danni allo strumento**

Una pulizia impropria può causare danni allo strumento!

- ▶ Non usare detergenti aggressivi.
- ▶ Per la pulizia non utilizzare oggetti appuntiti o duri.

4. Lavare o pulire lo strumento smontato, allo scopo di proteggere le persone e l'ambiente dall'esposizione con i fluidi residui.

IT

## 7. Smontaggio, resi e smaltimento

### 7.1 Smontaggio



### **ATTENZIONE!**

#### **Lesioni fisiche e danni alle cose e all'ambiente a causa di fluidi residui**

A contatto con fluidi pericolosi (ad esempio ossigeno, acetilene, sostanze infiammabili o tossiche), con fluidi nocivi (ad esempio corrosivi, tossici, cancerogeni, radioattivi), e anche con impianti di refrigerazione e compressori, vi è il rischio di lesioni fisiche e danni alle cose e dell'ambiente.

- ▶ Prima dello stoccaggio, lavare o pulire lo strumento smontato (dopo l'uso), allo scopo di proteggere le persone e l'ambiente dall'esposizione con i fluidi residui.
- ▶ Osservare le informazioni contenute nella scheda di sicurezza per il corrispondente fluido.

## 7. Smontaggio, resi e smaltimento



### **ATTENZIONE!**

#### **Rischio di ustioni**

Durante lo smontaggio c'è il rischio di fuoriuscita di fluidi pericolosamente caldi.

- ▶ Lasciare raffreddare sufficientemente lo strumento prima di smontarlo!



### **PERICOLO!**

#### **Pericolo di morte causato dalla corrente elettrica**

A contatto con le parti in tensione, c'è un pericolo diretto di morte.

- ▶ Lo smontaggio dello strumento può essere effettuato solo da personale qualificato.
- ▶ Rimuovere lo strumento dopo aver isolato il sistema dalle fonti di alimentazione.

IT



### **ATTENZIONE!**

#### **Lesioni fisiche**

Durante lo smontaggio sussiste il pericolo che può derivare dalla presenza di fluidi aggressivi o a causa di alte pressioni.

- ▶ Osservare le informazioni contenute nella scheda di sicurezza per il corrispondente fluido.
- ▶ Smontare lo strumento quando non è presente pressione.

### 7.2 Resi

#### **Osservare attentamente le seguenti indicazioni per la spedizione dello strumento:**

Tutti gli strumenti inviati a WIKA devono essere privi di qualsiasi tipo di sostanze pericolose (acidi, basi, soluzioni, ecc.) e pertanto devono essere puliti prima di essere restituiti.



### **ATTENZIONE!**

#### **Lesioni fisiche e danni alle cose e all'ambiente a causa di fluidi residui**

Fluidi residui presenti all'interno dello strumento smontato possono causare rischi a persone, all'ambiente e allo strumento stesso.

- ▶ In caso di sostanze pericolose, è inclusa la scheda di sicurezza del materiale per il fluido corrispondente.
- ▶ Pulire lo strumento, vedere capitolo 6.2 "Pulizia".

## 7. Smontaggio ... / 8. Specifiche tecniche

In caso di restituzione dello strumento, utilizzare l'imballo originale o utilizzare un contenitore di trasporto adeguato.

### Per evitare danni:

1. Avvolgere lo strumento con una pellicola antistatica.
2. Riporre lo strumento nella scatola con materiale assorbente gli urti. Posizionare materiale per assorbire gli urti su tutti i lati all'interno dell'imballo.
3. Se possibile, includere una bustina di gel anti-umidità all'interno dell'imballo.
4. Etichettare la spedizione come trasporto di uno strumento altamente sensibile.



Le informazioni sulle modalità di gestione resi sono disponibili nella sezione "Servizi" del nostro sito web.

IT

### 7.3 Smaltimento

Lo smaltimento inappropriato può provocare rischi per l'ambiente. Lo smaltimento dei componenti dello strumento e dei materiali di imballaggio deve essere effettuato in modo compatibile ed in accordo alle normative nazionali.



Non smaltire insieme ai rifiuti domestici. Smaltire in modo appropriato secondo le regolamentazioni del proprio paese.

## 8. Specifiche tecniche

### Misuratore della velocità dell'aria, modello A2G-20

#### Versione

- Versione senza display a cristalli liquidi
- Versione con display a cristalli liquidi
- Versione con display LCD e uscita di commutazione

#### Elemento di misura

Pt1000 (velocità dell'aria) e NTC10k (temperatura)

#### Campo di misura

##### Velocità aria

0 ... 2 m/s, 0 ... 10 m/s o 0 ... 20 m/s può essere selezionato sullo strumento tramite i ponticelli

##### Temperatura

0 ... 50 °C [32 ... 122 °F]

## 8. Specifiche tecniche

### Misuratore della velocità dell'aria, modello A2G-20

#### Precisione

Velocità aria	Campo di misura: 0 ... 2 m/s: < 0,2 m/s +5 % della lettura Campo di misura 0 ... 10 m/s: < 0,5 m/s +5 % della lettura Campo di misura 0 ... 20 m/s: < 1,0 m/s +5 % della lettura
---------------	--

Temperatura <sup>1)</sup>	< 0,5 °C [0,9 °F] (v > 0,5 m/s)
---------------------------	---------------------------------

<b>Tensione di alimentazione U<sub>B</sub></b>	24 Vcc/Vca 24 V ± 10 %
--	------------------------

#### Segnale di uscita

Velocità aria	0 ... 10 Vcc (lineare a m/s): Carico min. 1 kΩ 4 ... 20 mA (lineare a m/s): Carico max. 400 Ω
---------------	--

Temperatura	0 ... 10 Vcc (lineare a °C): Carico min. 1 kΩ 4 ... 20 mA (lineare a °C): Carico max. 400 Ω
-------------	--

<b>Connessione elettrica</b>	Morsetti a vite, pressacavo M16 max. 1,5 mm <sup>2</sup>
------------------------------	---

<b>Uscita di intervento</b>	3 morsetti terminali a vite max. 1,5 mm <sup>2</sup> (NC, COM, NO) Relè (esente da potenziale, contatto in scambio, max. 250 Vca, 6 A, 30 Vcc, 6 A, soglia di commutazione e isteresi regolabile)
-----------------------------	--

<b>Custodia</b>	Plastica (ABS)
-----------------	----------------

<b>Display LC</b>	Display a 3 ½ cifre con retroilluminazione Dimensioni: 46,7 x 12,7 mm
-------------------	--

#### Temperature consentite

Fluido	0 ... 50 °C, max. 95 % u. r.
--------	------------------------------

Ambiente	0 ... 50 °C, max. 95 % u. r.
----------	------------------------------

<b>Grado di protezione</b>	IP54 secondo IEC/EN 60529
----------------------------	---------------------------

<b>Peso</b>	220 g
-------------	-------

<b>Tipo di montaggio</b>	Installazione su condotti di ventilazione tramite flangia di montaggio
--------------------------	--

1) Lo strumento è tarato a 22 °C [71,6 °F].

Per ulteriori informazioni tecniche, fare riferimento alla Scheda tecnica WIKA SP 69.06 ed ai documenti d'ordine.



WIKA subsidiaries worldwide can be found online at [www.wika.com](http://www.wika.com).  
WIKA-Niederlassungen weltweit finden Sie online unter [www.wika.de](http://www.wika.de).  
La liste des filiales WIKA dans le monde se trouve sur [www.wika.fr](http://www.wika.fr).  
Sucursales WIKA en todo el mundo puede encontrar en [www.wika.es](http://www.wika.es).  
Per filiali WIKA nel mondo, visitate il nostro sito [www.wika.it](http://www.wika.it).



**WIKAL Alexander Wiegand SE & Co. KG**

Alexander-Wiegand-Strasse 30

63911 Klingenberg • Germany

Tel. +49 9372 132-0

Fax +49 9372 132-406

[info@wika.de](mailto:info@wika.de)

[www.wika.de](http://www.wika.de)