

Differential pressure gauge, models 712.15.160, 732.15.160,  
optional for hazardous areas

EN

Differenzdruckmanometer, Typen 712.15.160, 732.15.160,  
optional für explosionsgefährdete Bereiche

DE

Manomètre différentiel, types 712.15.160, 732.15.160,  
en option pour zones explosives

FR

Manómetro de presión diferencial, modelos 712.15.160, 732.15.160,  
opcional para zonas potencialmente explosivas

ES



## Cryo Gauge



Example: Model 712.15.160 with transmitter and compact valve  
manifold with working pressure indication



<b>EN</b>	<b>Operating instructions for models 712.15.160, 732.15.160, optional for hazardous areas</b>	<b>Page</b>	<b>3 - 28</b>
<b>DE</b>	<b>Betriebsanleitung für Typen 712.15.160, 732.15.160, optional für explosionsgefährdete Bereiche</b>	<b>Seite</b>	<b>29 - 54</b>
<b>FR</b>	<b>Mode d'emploi pour les types 712.15.160, 732.15.160, en option pour zones explosives</b>	<b>Page</b>	<b>55 - 80</b>
<b>ES</b>	<b>Manual de instrucciones para modelos 712.15.160, 732.15.160, opcional para zonas potencialmente explosivas</b>	<b>Página</b>	<b>81 - 106</b>

© 04/2009 WIKA Alexander Wiegand SE & Co. KG  
 All rights reserved. / Alle Rechte vorbehalten.  
 WIKA® is a registered trademark in various countries.  
 WIKA® ist eine geschützte Marke in verschiedenen Ländern.

Prior to starting any work, read the operating instructions!  
 Keep for later use!

Vor Beginn aller Arbeiten Betriebsanleitung lesen!  
 Zum späteren Gebrauch aufbewahren!

Lire le mode d'emploi avant de commencer toute opération !  
 A conserver pour une utilisation ultérieure !

¡Leer el manual de instrucciones antes de comenzar cualquier trabajo!  
 ¡Guardar el manual para una eventual consulta!

# Contents

<b>1. General information</b>	<b>4</b>
<b>2. Safety</b>	<b>5</b>
2.1 Explanation of symbols . . . . .	5
2.2 Intended use . . . . .	5
2.3 Improper use . . . . .	6
2.4 Responsibility of the operator . . . . .	6
2.5 Personnel qualification . . . . .	7
2.6 Labelling, safety marks . . . . .	7
2.7 Ex version. . . . .	8
2.8 Special conditions for safe use (X conditions). . . . .	9
<b>3. Transport, packaging and storage</b>	<b>9</b>
3.1 Transport . . . . .	9
3.2 Packaging and storage . . . . .	9
<b>4. Commissioning, operation</b>	<b>10</b>
4.1 Mechanical mounting . . . . .	11
4.2 Differential pressure display. . . . .	13
4.3 Replaceable plug-in scales (option) . . . . .	15
4.4 Valve manifold with working pressure indication (option) . . . . .	15
4.5 Electrical connection . . . . .	18
4.6 Integrated transmitter electronics (option) . . . . .	21
<b>5. Faults</b>	<b>24</b>
<b>6. Maintenance and cleaning</b>	<b>24</b>
6.1 Maintenance . . . . .	24
6.2 Cleaning . . . . .	25
<b>7. Dismounting, return and disposal</b>	<b>25</b>
7.1 Dismounting . . . . .	26
7.2 Return . . . . .	26
7.3 Disposal . . . . .	26
<b>8. Specifications</b>	<b>27</b>
8.1 Permissible temperature ranges . . . . .	27
8.2 Differential pressure gauge . . . . .	27
8.3 Integrated transmitter electronics (option) . . . . .	28
<b>Annex 1: Pin assignment for magnetic snap-action contacts</b>	<b>107</b>
<b>Annex 2: EU declaration of conformity</b>	<b>111</b>

Declarations of conformity can be found online at [www.wika.com](http://www.wika.com).

## 1. General information

- The instrument described in the operating instructions has been designed and manufactured using state-of-the-art technology. All components are subject to stringent quality and environmental criteria during production. Our management systems are certified to ISO 9001 and ISO 14001.
- These operating instructions contain important information on handling the instrument. Working safely requires that all safety instructions and work instructions are observed.
- Observe the relevant local accident prevention regulations and general safety regulations for the instrument's range of use.
- The operating instructions are part of the product and must be kept in the immediate vicinity of the instrument and readily accessible to skilled personnel at any time.
- Skilled personnel must have carefully read and understood the operating instructions prior to beginning any work.
- The manufacturer's liability is void in the case of any damage caused by using the product contrary to its intended use, non-compliance with these operating instructions, assignment of insufficiently qualified skilled personnel or unauthorised modifications to the instrument.
- The general terms and conditions contained in the sales documentation shall apply.
- Subject to technical modifications.
- Further information:
  - Internet address: [www.wika.de](http://www.wika.de) / [www.wika.com](http://www.wika.com)
  - EN 837-2 Selection and installation recommendations for pressure measuring instruments

Model	Ex version	Description	Data sheet
712.15.160, 732.15.160	Option	Differential pressure gauge	PM 07.30
891.44	No	Integrated transmitter electronics (option)	PM 07.30
892.44	Yes	Integrated transmitter electronics (option)	PM 07.30
828	No	Magnetic snap-action contact (option)	PM 07.30
212.20.100	No	Pressure gauge for working pressure indication (option)	PM 02.01
232.50.100	Option	Pressure gauge for working pressure indication (option)	PM 02.02
232.30.100	Option	Pressure gauge for working pressure indication (option)	PM 02.04
A-10	No	Pressure sensor for working pressure (option)	PE 81.60
IS-3	Yes	Pressure sensor for working pressure (option)	PE 81.58

Depending on the version, observe the additionally enclosed operating instructions!

## 2. Safety

### 2.1 Explanation of symbols



#### **WARNING!**

... indicates a potentially dangerous situation that can result in serious injury or death, if not avoided.



#### **CAUTION!**

... indicates a potentially dangerous situation that can result in light injuries or damage to property or the environment, if not avoided.



#### **DANGER!**

... identifies hazards caused by electrical power. Should the safety instructions not be observed, there is a risk of serious or fatal injury.



#### **WARNING!**

... indicates a potentially dangerous situation in the hazardous area that results in serious injury or death, if not avoided.



#### **WARNING!**

... indicates a potentially dangerous situation that can result in burns, caused by hot surfaces or liquids, if not avoided.



#### **Information**

... points out useful tips, recommendations and information for efficient and trouble-free operation.

### 2.2 Intended use

Mechanical differential pressure measuring instruments are used for the display of levels on closed vessels, particularly in cryotechnology. Depending on the version, integrated transmitter electronics can be used to output an electrical output signal for control. An optionally mounted valve manifold facilitates commissioning and maintenance of the instrument. Optionally, the working pressure can be measured additionally with a pressure gauge or a pressure sensor.

The instrument offers many application possibilities, in particular for gaseous and liquid gases, and also for media that are non-aggressive, not highly viscous and non-crystallising.

Only use the instrument in applications that lie within its technical performance limits (e.g. temperature limits, material compatibility, ...).

→ For performance limits see chapter 8 “Specifications”

The instrument has been designed and built solely for the intended use described here, and may only be used accordingly.

The manufacturer shall not be liable for claims of any type based on operation contrary to the intended use.

### 2.3 Improper use



#### **WARNING!**

#### **Injuries through improper use**

Improper use of the instrument can lead to hazardous situations and injuries.

- ▶ Refrain from unauthorised modifications to the instrument.
- ▶ Do not use the instrument with abrasive or viscous media.

Any use beyond or different to the intended use is considered as improper use.

### 2.4 Responsibility of the operator

The instrument is used in the industrial sector. The operator is therefore responsible for legal obligations regarding safety at work.

The safety instructions within these operating instructions, as well as the safety, accident prevention and environmental protection regulations for the application area must be maintained.

The operator is obliged to maintain the product label in a legible condition.

To ensure safe working on the instrument, the operating company must ensure

- that suitable first-aid equipment is available and aid is provided whenever required.
- that the operating personnel are regularly instructed in all topics regarding work safety, first aid and environmental protection and know the operating instructions and in particular, the safety instructions contained therein.
- that the instrument is suitable for the particular application in accordance with its intended use.
- that personal protective equipment is available.



On the wetted parts of the instrument, small residual amounts of the adjustment medium (e.g. compressed air, water, oil) can adhere from production. With increased requirements for technical cleanliness, suitability for the application must be checked by the operator before commissioning.

### 2.5 Personnel qualification



#### WARNING!

#### Risk of injury should qualification be insufficient!

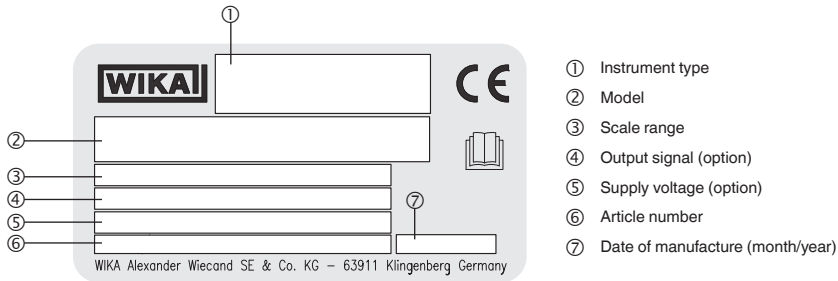
Improper handling can result in considerable injury and damage to property. The activities described in these operating instructions may only be carried out by skilled personnel who have the qualifications described below.

#### Skilled personnel

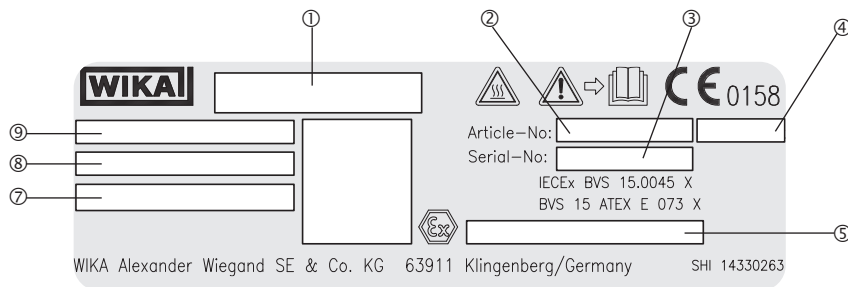
Skilled personnel are understood to be personnel who, based on their technical training, knowledge of measurement and control technology and on their experience and knowledge of country-specific regulations, current standards and directives, are capable of carrying out the work described and independently recognising potential hazards.

### 2.6 Labelling, safety marks

#### Product label for differential pressure gauge, non-Ex version (example)



#### Product label for differential pressure gauge, Ex version (example)



- |                                    |                  |
|------------------------------------|------------------|
| ① Model + transmitter electronics  | ⑤ Ex marking     |
| ② Article number                   | ⑥ Supply voltage |
| ③ Serial number                    | ⑦ Output signal  |
| ④ Date of manufacture (month/year) | ⑧ Scale range    |



Before mounting and commissioning the instrument, ensure you read the operating instructions!



### Risk of burns!

Potentially dangerous situation caused by hot surfaces.



The instrument bearing this mark is a safety pressure gauge with a solid baffle wall in accordance with EN 837, safety version "S3".



Do not dispose of with household waste. Ensure a proper disposal in accordance with national regulations.

### 2.7 Ex version

The Ex version of the models 712.15.160 and 732.15.160 consists exclusively of a mechanical differential pressure gauge with integrated transmitter electronics, model 892.44.



### DANGER!

#### Danger to life due to loss of explosion protection

Non-observance of these instructions and their contents may result in the loss of explosion protection.

- ▶ Observe the safety instructions in this chapter and further explosion protection instructions in these operating instructions.
- ▶ Observe the information given in the applicable type examination certificate and the relevant country-specific regulations for installation and use in hazardous areas (e.g. IEC 60079-14, NEC, CEC).

Check whether the classification is suitable for the application. Observe the relevant national regulations.

### Ex marking

#### ATEX

#### IECEx

II 2G Ex ia IIC T4/T5/T6 Gb

### Permissible temperature range

For determining the maximum temperature at the instrument, besides the medium temperature also other influences such as the ambient temperature and, if applicable, the solar irradiation must be taken into account.

Required temperature class (ignition temperature)	Permissible temperature range at the instrument
T6 and T5	-40 ... +60 °C
T4	-40 ... +80 °C



The installation should be made in such a way that the temperature range of the instrument, also considering the effects of convection and thermal radiation, neither exceeds nor falls below the permissible limits.

The permissible temperature ranges must not be exceeded at the instrument either. If necessary, measures for cooling (e.g. syphon, instrumentation valve) have to be taken.

### 2.8 Special conditions for safe use (X conditions)

1. Safe use of the instrument requires observance of all data given in the chapters of these operating instructions, in particular the data regarding the Ex version.
2. The Ex version of the instrument can be used in the following **ambient temperature range  $T_a$** :
  - 40 °C ≤  $T_a$  ≤ +60 °C for temperature class T6 and T5
  - 40 °C ≤  $T_a$  ≤ +80 °C for temperature class T4
3. The permissible **medium temperature range  $T_m$**  must be observed on the instrument:
  - 40 °C ≤  $T_m$  ≤ +60 °C for oxygen
  - 40 °C ≤  $T_m$  ≤ +60 °C for temperature class T6 and T5
  - 40 °C ≤  $T_m$  ≤ +80 °C for temperature class T4

## 3. Transport, packaging and storage

### 3.1 Transport

Check the instrument for any damage that may have been caused by transport. Obvious damage must be reported immediately.



#### **CAUTION!**

#### **Damage through improper transport**

With improper transport, a high level of damage to property can occur.

- ▶ When unloading packed goods upon delivery as well as during internal transport, proceed carefully and observe the symbols on the packaging.
- ▶ With internal transport, observe the instructions in chapter 3.2 “Packaging and storage”.

### 3.2 Packaging and storage

Do not remove packaging until just before mounting.

Keep the packaging as it will provide optimum protection during transport (e.g. change in installation site, sending for repair).

#### **Permissible conditions at the place of storage:**

Storage temperature: -20 ... +60 °C

#### **Avoid exposure to the following factors:**

- Direct sunlight or proximity to hot objects
- Mechanical vibration, mechanical shock (putting it down hard)
- Soot, vapour, dust and corrosive gases
- Hazardous environments, flammable atmospheres

EN

Store the instrument in its original packaging in a location that fulfils the conditions listed above.

## 4. Commissioning, operation

**Personnel:** Skilled personnel

Before installation, commissioning and operation, ensure that the appropriate instrument has been selected in terms of scale range, design and specific measuring conditions.



#### **DANGER!**

##### **Danger to life from explosion!**

Through working in flammable atmospheres, there is a risk of explosion which can cause death.

- ▶ Only carry out set-up work in non-hazardous environments!



#### **WARNING!**

##### **Physical injuries and damage to property and the environment caused by hazardous media**

Upon contact with hazardous media (e.g. oxygen, acetylene, flammable or toxic substances), harmful media (e.g. corrosive, toxic, carcinogenic, radioactive), there is a danger of physical injuries and damage to property and the environment.

Should a failure occur, aggressive media with extremely high temperature and under high pressure may be present at the instrument.

- ▶ For these media, in addition to all standard regulations, the appropriate existing codes or regulations must also be followed.
- ▶ Wear the requisite protective equipment.



#### **WARNING!**

##### **Physical injuries and damage to property and the environment caused by media escaping under high pressure**

With the pressurisation of the instrument, as a result of poor sealing of the process connection, media under high pressure can escape.

Due to the high energy of the media that can escape in the event of a failure, the possibility of physical injuries and damage to property exists.

- ▶ The sealing of the process connection must be carried out expertly and checked for leak tightness.

### Requirements for the installation point

If the line to the measuring instrument is not adequately stable, an instrument mounting bracket should be used for fastening. The instruments should be protected against coarse dirt and wide fluctuations in ambient temperature.

#### 4.1 Mechanical mounting

The installation of the differential pressure gauge is made following the installation recommendations for pressure measuring instruments in accordance with EN 837-2 /7.

- Prior to the installation, clean the measuring lines thoroughly by tapping and blowing or flushing.
- Mount and operate the instruments free from vibration  
Fasten them using rigid measuring lines and/or 4 M8 mounting holes in the measuring flange.
- Protect pressure gauges from contamination and high temperature changes.
- The maximum permissible medium/ambient temperature must not be exceeded.
- Mounting of the process connection according to affixed symbols  $\oplus$  and  $\ominus$ .  
 $\oplus$  high pressure  $\Rightarrow$  bottom pressure ( $p_B$ )  
 $\ominus$  low pressure  $\Rightarrow$  working pressure/overlay pressure ( $p_D$ )

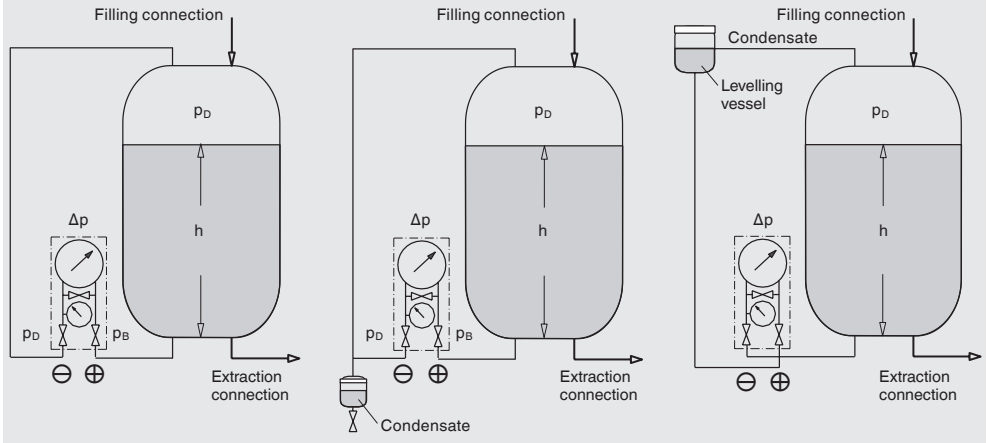
$$p_B = p_{FL} + p_D$$

(where  $p_{FL}$  = hydrostatic pressure of the liquid =  $r \cdot g \cdot h$ )

Mounting types for level measurement

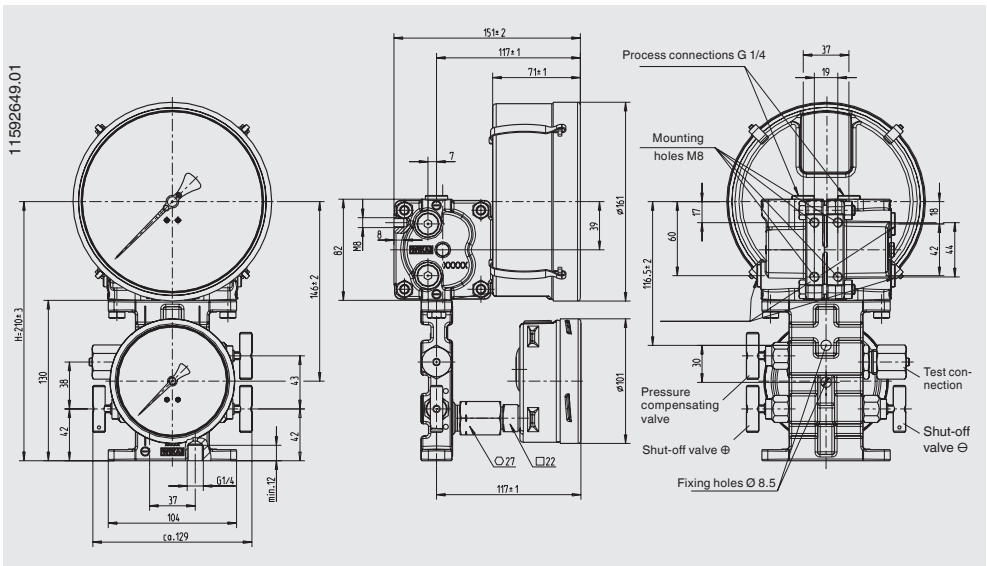
Standard for cryo containers (liquefied gases)

2 examples for containers with separate condensate vessel

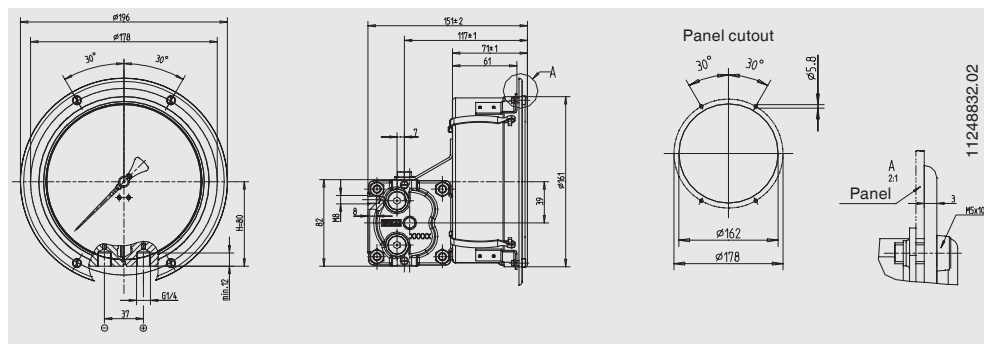


Wall mounting

Fasten to 4 M8 mounting holes or using 2 fixing holes of  $\varnothing 8.5$  mm



### Panel mounting (option)



11248832.02

EN

### 4.2 Differential pressure display

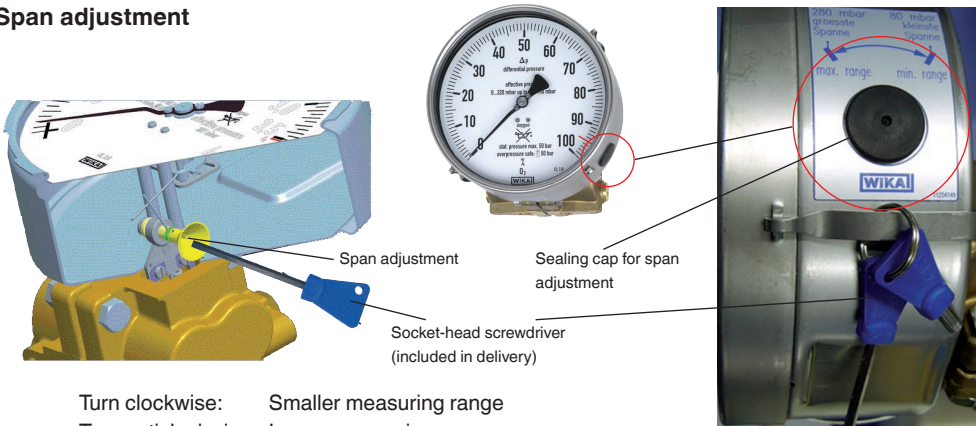
The measuring span of the differential pressure gauge can, depending on the measuring cell, be adjusted within the measuring range limits given in the table. Ideally, this adjustment should be made on a test bench, though it can also be carried out at the measuring point using a hand test pump.

#### Measuring range limits

Measuring cell	Adjustable scale ranges	
	from	to
140 mbar	0 ... 40 mbar	0 ... 140 mbar
280 mbar	0 ... 80 mbar	0 ... 280 mbar
560 mbar	0 ... 160 mbar	0 ... 560 mbar
1,130 mbar	0 ... 320 mbar	0 ... 1,130 mbar
2,300 mbar	0 ... 650 mbar	0 ... 2,300 mbar
4,000 mbar	0 ... 1,150 mbar	0 ... 4,000 mbar

### Span adjustment

EN

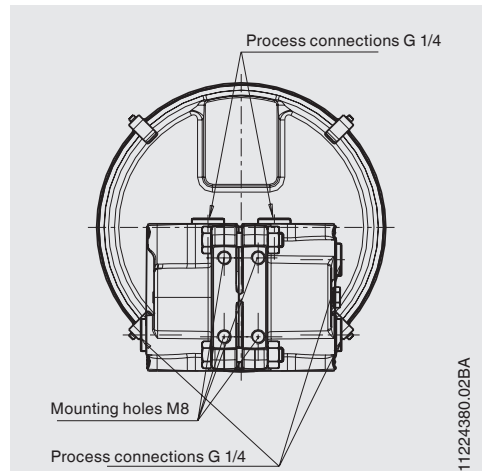


Turn clockwise: Smaller measuring range  
 Turn anticlockwise: Larger measuring range

1. The span adjustment, situated at the 4 o'clock point on the case circumference, is accessible by removing the sealing cap.
2. Pressurise the instrument to the desired nominal pressure.
3. Insert a socket-head screwdriver (SW 3 mm) into the funnel guide, and adjust the pointer to the end value by turning it clockwise (smaller measuring range) or anti-clockwise (larger measuring range). The instrument will then be fully adjusted to the required measuring range.
4. If the instrument is equipped with a model 89x.44 transmitter, then this procedure will also adjust the output signal to the new measuring range.
5. After completing the adjustment the instrument should be re-sealed with the sealing cap.

### Additional process connections

- Three additional G 1/4 female threads on the minus media chamber (right measuring cell flange when viewing the instrument from behind), e.g. for connecting a pressure switch, safety valve or a model A-10 or IS-3 pressure sensor
- Two G 1/4 female threads on the plus media chamber (left measuring cell flange when viewing the instrument from behind), e.g. for recalibration

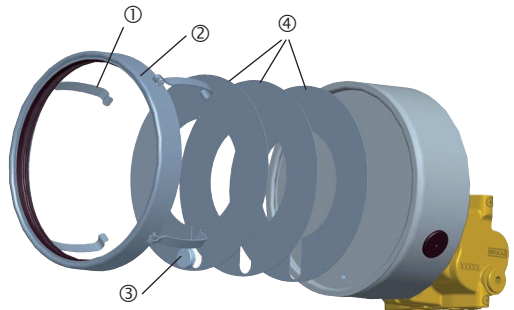


11224360.02BA

11265191.12.05/2021 EN/DE/FR/ES

### 4.3 Replaceable plug-in scales (option)

1. Loosen the clamp clip on the case of the differential pressure gauge and remove the cover ring complete with the lens.
2. Loosen and remove the knurled screw.
3. Remove all three scales, place the desired scale on top and put them back in place.
4. Reinsert the knurled screw and tighten it.
5. Mount the cover ring and lens and the clamp clips again.

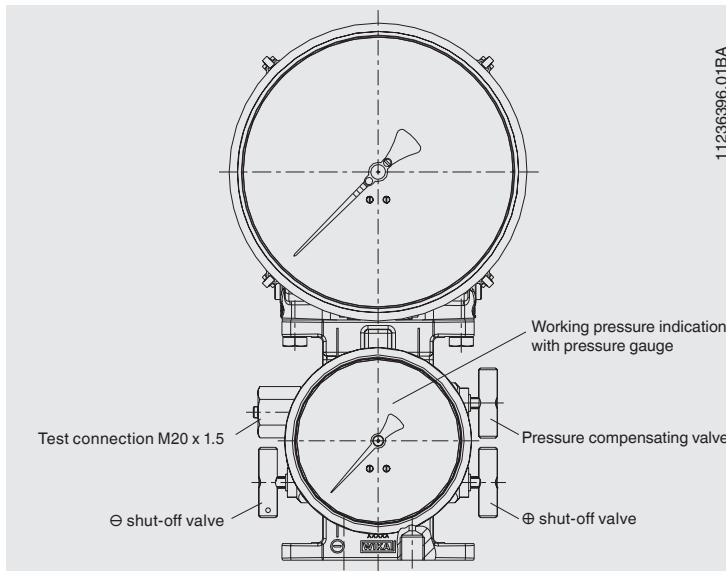


- ① Clamp clip
- ② Cover ring
- ③ Knurled screw
- ④ Scales

EN

### 4.4 Valve manifold with working pressure indication (option)

Expansion with a compact valve manifold with pressure gauge connectable via a flange allows, in addition to the level detection, the measurement of the working pressure at a central measuring point.



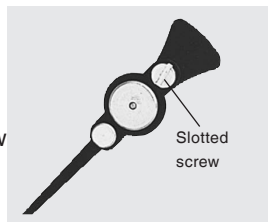
### Pressure gauge for working pressure indication (option)

Non-Ex version: Model 212.20.100

Ex version: Models 232.50.100, 232.30.100

### Functions of valve manifold

- Shut-off of the process line without interrupting operations:
  - For instrument mounting and testing
  - For protecting the instrument from impermissible overpressure load of n-times rated pressure of the plant
- Protection of the instrument against pressure surges and shocks and thus against unspecified operating conditions
- Instrument shutdown, for example, if measurements are only sporadically required over prolonged operating periods (to increase the service life of the instrument at high pressure change frequency)
- Recalibration of the differential pressure gauge (level indication)
  1. Close shut-off valves for  $\oplus$  and  $\ominus$  side
  2. Then open pressure compensating valve, wait for a short period and close the pressure compensating valve again
  3. The pressure standard and pressure generator are connected in the plus chamber of the measuring system via an additional G  $\frac{1}{4}$  female thread.
  4. In the valve manifold, remove the test connection screw on the  $\ominus$  side
  5. The plus side can now be pressurisedAfter completed adjustment:
  - Close test connection screw again
  - Remove pressure standard and pressure generator again and seal connection
  - Slowly open first  $\oplus$  shut-off valve, then  $\ominus$  shut-off valve
- M20 x 1.5 test connection for checking the measuring instrument for the working pressure. The pressure compensating valve allows a zero point check during operation (with the valve open).
  1. Close shut-off valves for  $\oplus$  and  $\ominus$  side
  2. Then open the pressure compensating valve
- The medium will flow from the higher pressure side to the opposite side, the differential pressure on the instrument falling to zero (differential pressure display must be at zero, i.e. within the zero tolerance range, which shows that the instrument is working correctly).
- In case of deviation, the zero point can be set via the adjustable pointer installed as standard (prior to that, loosen bayonet ring and remove window and sealing). The zero point setting is achieved by turning the slotted screw on the adjustable pointer. After completed zero point setting, re-fit bayonet ring plus window and sealing and close pressure compensating valve.
- For versions with integrated transmitter electronics, the electrical zero point must be set.
  3. Close pressure compensating valve again.
  4. Slowly open first  $\oplus$  shut-off valve, then  $\ominus$  shut-off valve.





### Adapter for process connection (option)

The adapters can be flange mounted either directly to the differential pressure gauge or to the valve manifold.

4 different process connections are available:

- 2 x G ½, female, centre distance 31 mm or 54 mm
- 2 x ¼ NPT, female, centre distance 31 mm or 54 mm



EN

With a single order, all parts necessary for the fitting to the differential pressure gauge or to the valve manifold are included in the delivery:

- 2 x hexagon screws M8 x 16
- 2 x hexagon screws M8 x 28
- 2 x nut M8
- 2 x O-ring sealing

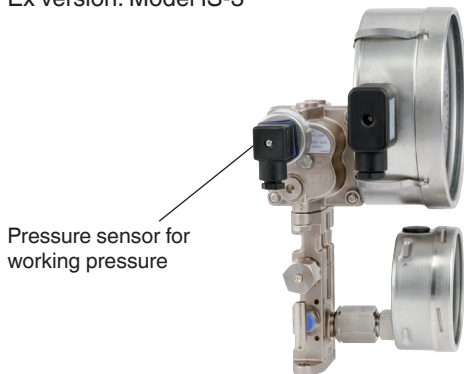
### 4.5 Electrical connection

The electrical connection must only be made by qualified skilled personnel. The instrument must be connected to the equipotential bonding of the plant.

#### Pressure sensor for working pressure (option)

Non-Ex version: Model A-10

Ex version: Model IS-3



Pressure sensor for working pressure

The pressure sensors for the working pressure are screwed in sideways, on the left side of the  $\Theta$  media chamber and can, if necessary, be retrofitted on site.

Pressure connection of the pressure sensor:  
G 1/4 male



Specifications	A-10	IS-3
Data sheet	PE 81.60	PE 81.58
For Ex area	No	Yes, intrinsically safe
Measuring ranges	0 ... 2.5 bar to 0 ... 60 bar	0 ... 2.5 bar to 0 ... 60 bar
Outputs	4 ... 20 mA	4 ... 20 mA (repeater power supply required)
Medium temperature	-30 ... +100 °C	-20 ... +60 °C
Ambient temperature	-30 ... +80 °C	-20 ... +60 °C
Wetted parts	Stainless steel	Stainless steel
Supply voltage $U_B$	DC 10 V < $U_B$ ≤ 30 V	DC 10 V < $U_B$ ≤ 30 V
Permissible max. load $R_A$	$R_A \leq (U_B - 8 V) / 0.02 A$	$R_A \leq (U_B - 10 V) / 0.02 A$
Accuracy, best fit straight line, BFSL	≤ 0.5 % of span	≤ 0.2 % of span
Compensated temperature range	0 ... +80 °C	0 ... +60 °C
Designation of connection terminals, 2-wire		

Please observe the separately enclosed operating instructions for each pressure sensor!

### Magnetic snap-action contacts (option)

Electrical switch contacts for level indicators and/or working pressure open circuits as a function of the pointer position of the indicating measuring instruments.

#### Version

Single and double magnetic snap-action contact, model 828

The modular switch contact is an add-on unit, which can be built onto the pressure gauge within a few minutes. The switch contacts provide IP65 ingress protection. The connection to the actual value pointer is made by means of a special yoke so that a carrier pin at the pointer itself is not needed. Due to this simple mounting, the instrument can be converted into a contact pressure gauge extremely quickly and at low cost.

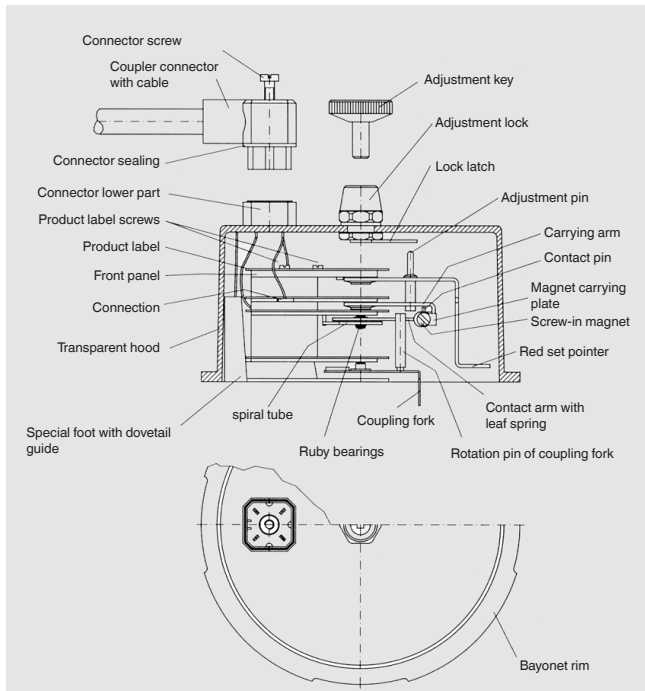
The switch contacts mainly comprise:

- the already wired switch contact equipped with a special foot and a fork coupling
- a transparent hood (polycarbonate) with dovetail guide into which the switch contact containing the special foot is slid and fastened by means of a cross-head screw
- a connector lower part (4-pin) moulded or welded to the transparent hood
- an adjustment lock mounted in the centre of the transparent hood

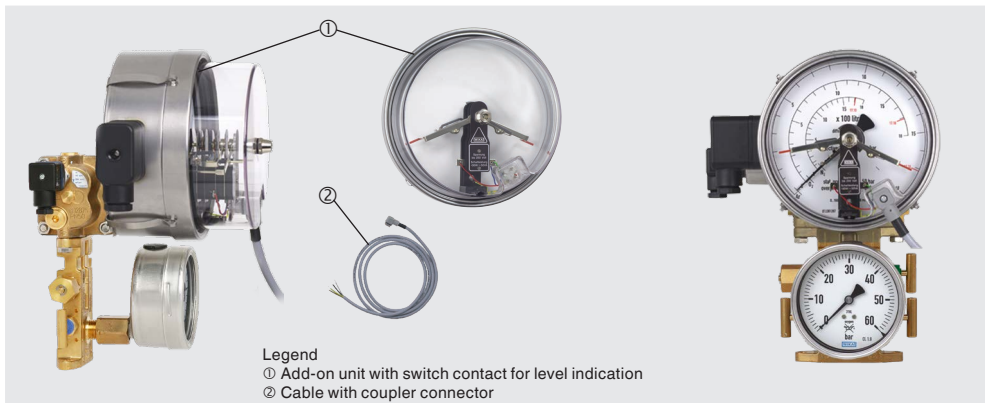
The set value pointer of the installed switch contacts are adjusted, from the outside, to the value at which the switching operation is to take place, using the adjustment lock with a separate or integral key.

The switch contacts are designed to allow the instrument pointer to move beyond the adjusted actual value pointer after contact actuation takes place, with the contact remaining actuated.

This design guarantees a stable switching status corresponding to the position of the actual value pointer in case of power failure.



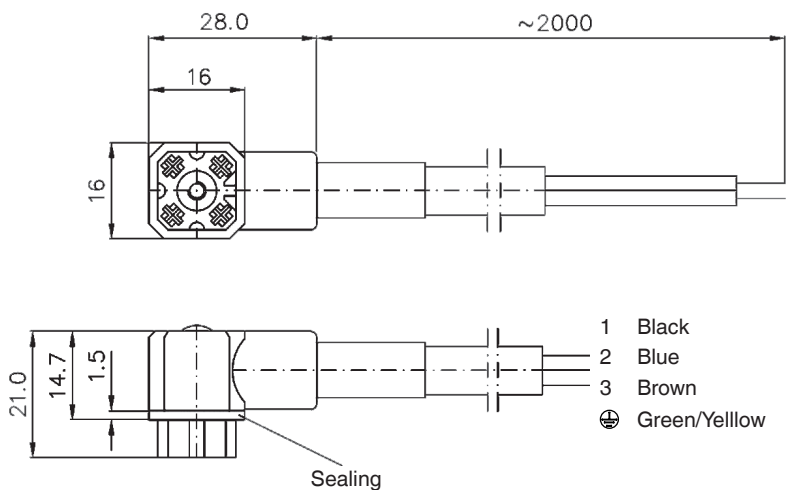
### Mounting of the switch contacts



### Pin assignment

See Annex „Pin assignment for magnetic snap-action contacts“.

### Cable with coupler connector



### 4.6 Integrated transmitter electronics (option)

Non-Ex version: Model 891.44

Ex version: Model 892.44

See chapter 8 “Specifications”

WIKA differential pressure gauges with an integrated model 89x.44 transmitter combine all the advantages of an on-site mechanical display with the demands modern industry makes for electrical signal transmission for the acquisition of measured values.

The transmitter electronics are integrated into the case of the level indicator. The measuring span (electrical output signal) is adjusted automatically with the mechanical display, i.e. the scale over 270 angular degrees corresponds to 4 ... 20 mA (see differential pressure display).

#### Supply voltage non-Ex version

Suitable supply voltage

Model KFA6-STR-1.24.500, AC 115/230 V, for DIN rail, order number: 7305636

#### Supply voltage Ex version

The instrument must only be used in conjunction with a corresponding Ex repeater power supply.

Suitable Ex repeater power supplies:

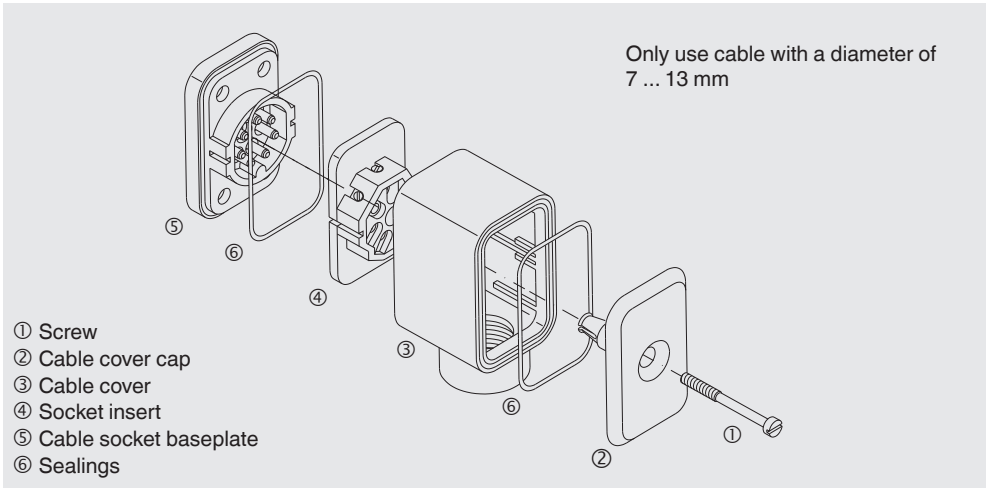
- Model KFD2-STC4-Ex1, DC 20 ... 35 V, for DIN rail, order number: 2341268
- Model IS Barrier, DC 19,2 ... 30 V, for DIN rail, order number: 14117118

#### Safety instructions for installation

- Install instruments in accordance with the manufacturer's instructions and the valid standards and regulations.
- Only connect circuits with the same voltage and type of protection to the connection leads of the instrument.
- Size the connection leads for the largest current strength in the circuits and ensure sufficient UV resistance and mechanical stability.
- With flexible connection leads, use isolated end splices. Max. permissible conductor cross-section 1.5 mm<sup>2</sup>.
- Connecting cables must be suited to the ambient temperature range of the application.
- The connection leads must also be suitable for the supplied cable gland (for diameter range, see below).
- Seal the cable entry with the appropriate approved cable glands.
- Install the connection cables securely.

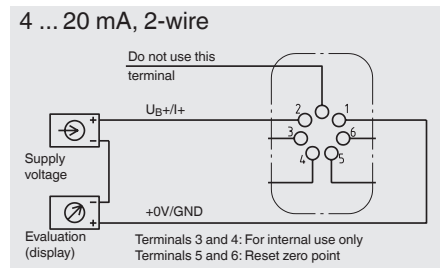
### Dismounting cable socket

The cable socket is prefitted and must be dismantled as described below.



- Fully loosen the screws on the cable cover cap with a slotted screwdriver (0.6 x 3.5 mm) and remove them.
- Pull the cable cover, along with the socket insert, out from the cable socket baseplate (joined permanently with the instrument).
- Take the cable cover cap and push the socket insert out, downwards, completely through the cable cap.

### Pin assignment cable socket



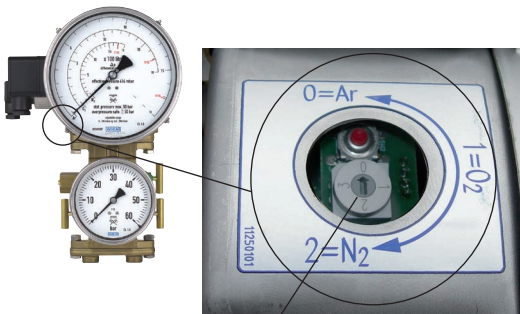
With **multiple scales** or replaceable plug-in scales (option), the output signal of 4 ... 20 mA corresponding to each scale can be stored in a microprocessor.

## 4. Commissioning, operation

The output signal can be changed over to the desired fluid type by rotating the optional **BCD switch** (accessible through a sealing cap on the left side of the case) using a screwdriver.

### Electrical zero point with BCD switch option

If a zero point adjustment is required (e.g. after mechanical zero point setting), the instrument must first be de-energised (pull the plug). Afterwards re-establish the voltage supply (insert the plug) and press the zero point button for approx. 1 second within 30 seconds.



BCD switch (scale selection switch) and zero point key (sealing cap removed)

### Electrical zero point without BCD switch option

If the mechanical zero point has been altered via the adjustable pointer, the electrical zero point must be matched to the mechanical one. To do this, apply the pressure value of the scale start. The scale start corresponds to the smallest electrical signal.

With a small piece of stranded wire (maximum permissible resistance 30  $\Omega$ ), stripped at both ends, bridge terminals 5 and 6 on the socket insert.

### Mounting cable socket

- Connect the socket insert to the cable cover and assemble the cable cover cap with the sealing and screw (see cable socket drawing).
- Insert the assembly, which has just been assembled, onto the cable socket baseplate with sealing.
- Screw the screws on the cable cover cap in fully with a slotted screwdriver (0.6 x 3.5 mm).



In order that the ingress protection is maintained, the seals must be refitted.

After switching on the supply voltage, within a max. 30 seconds, the new zero point will be saved in the transmitter electronics. As a check, during this time, a current increase to 9.5 mA can be measured in the current loop on a display unit (e.g. ammeter).

- Switch off supply voltage and display unit.
- Carry out the “Dismounting cable socket” described above.
- Remove the stranded wire for bridging terminals 5 and 6 from the socket insert.
- Carry out the “Mounting cable socket” described above.

The electrical output signal will once more match the display of the mechanical pointer. Close all valves opened for the zero point setting again.

## 5. Faults

Faults	Causes	Measures
<b>No input pressure.</b>	Pressure compensating valve open.	Close the pressure compensating valve.
<b>No output signal.</b>	Insufficient supply voltage or cable break.	Check voltage supply and cables.
	Wrong pin assignment.	Check pin assignment.
	Defective transmitter electronics due to overvoltage.	Replace instrument.
<b>Constant output signal upon change in pressure</b>	Pressure port blocked at process connection.	Clean pressure port at process connection.
	Supply voltage connected the wrong way. ( $I = \text{ca. } 4.5 \text{ mA}$ ).	Check pin assignment.
	Defective transmitter electronics	Replace instrument.
<b>Too high, constant output signal upon change in pressure.</b>	Bridge on terminals 5 and 6 not removed ( $I = \text{approx. } 9.5 \text{ mA}$ ).	Remove the terminal bridge. Set the zero point.
	Defective transmitter electronics due to overvoltage.	Replace instrument.
<b>Signal span too small.</b>	Insufficient supply voltage.	Check voltage supply and cables.
	Load too high.	Maintain permissible load.
	Zero point maladjusted.	Set the zero point.
<b>Zero point signal too low or too high.</b>	Zero point maladjusted.	Set the zero point.
	Mechanical overload	Replace instrument.

For the replacement of the instrument chapters 7 “Dismounting, return and disposal” and 4 “Commissioning, operation” must be observed.

## 6. Maintenance and cleaning

## 6.1 Maintenance

The instruments are maintenance-free.

The indicator and switching function should be checked once or twice every year. For this the instrument must be disconnected from the process to check with a pressure testing device.





### **WARNING!**

#### **Danger to life due to impermissible filling of the instrument with loss of explosion protection**

The filling of instruments leads to a loss of the explosion protection and can lead to damage to the instrument.

- ▶ If a return is needed, please follow the instructions given in chapter 7.2 "Return".

EN

Repairs must only be carried out by the manufacturer.

### 6.2 Cleaning



### **CAUTION!**

#### **Physical injuries and damage to property and the environment**

Improper cleaning may lead to physical injuries and damage to property and the environment. Residual media in the dismantled instrument can result in a risk to persons, the environment and equipment.

- ▶ Carry out the cleaning process as described below.

1. Before cleaning, correctly disconnect the instrument from the pressure supply, switch it off and disconnect it from the mains.
2. Use the requisite protective equipment.
3. Clean the instrument with a moist cloth.

Electrical connections must not come into contact with moisture!



### **CAUTION!**

#### **Damage to the instrument**

Improper cleaning may lead to damage to the instrument!

- ▶ Do not use any aggressive cleaning agents.
- ▶ Do not use any hard or pointed objects for cleaning.

4. Wash or clean the dismantled instrument, in order to protect persons and the environment from exposure to residual media.

## 7. Dismounting, return and disposal



### **WARNING!**

#### **Physical injuries and damage to property and the environment through residual media**

Residual media in the dismantled instrument can result in a risk to persons, the environment and equipment.

- ▶ Wear the requisite protective equipment.
- ▶ Observe the information in the material safety data sheet for the corresponding medium.
- ▶ Wash or clean the dismantled instrument, in order to protect persons and the environment from exposure to residual media.

### 7.1 Dismounting



#### **DANGER!**

##### **Danger to life caused by electric current**

Upon contact with live parts, there is a direct danger to life.

- ▶ The dismounting of the instrument may only be carried out by skilled personnel.
- ▶ Remove the instrument once the system has been isolated from power sources.



#### **WARNING!**

##### **Physical injury**

When dismounting, there is a danger from aggressive media and high pressures.

- ▶ Observe the information in the material safety data sheet for the corresponding medium.
- ▶ Dismount the instrument when there is no pressure.

### 7.2 Return

#### **Strictly observe the following when shipping the instrument:**

All instruments delivered to WIKA must be free from any kind of hazardous substances (acids, bases, solutions, etc.) and must therefore be cleaned before being returned.



#### **WARNING!**

##### **Physical injuries and damage to property and the environment through residual media**

##### **Residual media in the dismantled instrument can result in a risk to persons, the environment and equipment.**

- ▶ With hazardous substances, include the material safety data sheet for the corresponding medium.
- ▶ Clean the instrument, see chapter 7.2 "Cleaning".

When returning the instrument, use the original packaging or a suitable transport packaging.



Information on returns can be found under the heading "Service" on our local website.

### 7.3 Disposal

Incorrect disposal can put the environment at risk. Dispose of instrument components and packaging materials in an environmentally compatible way and in accordance with the country-specific waste disposal regulations.



Do not dispose of with household waste. Ensure a proper disposal in accordance with national regulations.

## 8. Specifications

## 8.1 Permissible temperature ranges

## Non-Ex version

## Models 712.15.160 and 732.15.160 optionally with model 891.44

<b>Ambient</b>	-40 ... +60 °C with oxygen -40 ... +80 °C
<b>Medium</b>	-40 ... +60 °C with oxygen -40 ... +80 °C

EN

## Ex version

## Models 712.15.160 and 732.15.160 with model 892.44

<b>Ambient</b>	-40 ... +60 °C for temperature class T6 and T5 -40 ... +80 °C for temperature class T4
<b>Medium</b>	-40 ... +60 °C with oxygen -40 ... +60 °C for temperature class T6 and T5 -40 ... +80 °C for temperature class T4

## 8.2 Differential pressure gauge

## Models 712.15.160 and 732.15.160

<b>Nominal size</b>	NS 160 (level indication)
<b>Max. working pressure (static pressure)</b>	50 bar
<b>Overload safety</b>	either side up to 50 bar
<b>Ingress protection</b>	IP65 per EN/IEC 60529
<b>Process connections (wetted)</b>	2 x G 1/4 (optional: 2 x 1/4 NPT), female, lower mount (LM), centre distance 37 mm Option: Adapter for process connection
<b>Measuring cell flanges (wetted)</b>	Model 712.15: Copper alloy CW614N (CuZn39Pb3) Model 732.15: Stainless steel 316L
<b>Pressure elements (wetted)</b>	Compression spring, stainless steel 1.4310 Separating diaphragm, NBR Transmission parts, stainless steel 1.4301 and 1.4305
<b>Movement</b>	Wear parts stainless steel
<b>Dial</b>	White aluminium (see section "Scale designs")
<b>Pointer</b>	Adjustable pointer, black aluminium
<b>Case / slip-on bezel</b>	Stainless steel, with bayonet ring
<b>Window</b>	Polycarbonate (PC)

## 8.3 Integrated transmitter electronics (option)

Specifications	Models 891.44 and 892.44 (Ex version)
Supply voltage $U_B$	<b>Non-Ex version, model 891.44:</b> DC $12\text{ V} < U_B \leq 30\text{ V}$ <b>Ex version, model 892.44:</b> DC $14\text{ V} < U_B \leq 30\text{ V}$
Influence of supply voltage	$\leq 0.1\%$ of full scale/10 V
Permissible residual ripple	$\leq 10\%$ ss
Output signal	4 ... 20 mA, 2-wire
Permissible max. load $R_A$	$R_A \leq (U_B - 12\text{ V})/0.02\text{ A}$ with $R_A$ in $\Omega$ and $U_B$ in V, however max. 600 $\Omega$
Effect of load	$\leq 0.1\%$ of full scale
<b>Adjustability</b>	
Electrical zero point	by bridging terminals 5 and 6 or with BCD switch option via key <sup>1)</sup>
Scale selection (option)	4 scales selectable via BCD switch
Linear error	$\leq 1.0\%$ of span (terminal method)
Compensated temperature range	-40 ... +80 °C
<b>Temperature coefficients in the compensated temperature range</b>	
Mean TC zero point	$\leq 0.3\%$ of span/10 K
Mean TC span	$\leq 0.3\%$ of span/10 K
Electrical connection	Cable socket PA 6, black Per VDE 0110 insulation group C/250 V Cable gland M20 x 1.5 Strain relief 6 screw terminals + PE for conductor cross-section 2.5 mm <sup>2</sup>
Electrical safety	Protection against reverse polarity and overvoltage
Ingress protection	IP65 per EN/IEC 60529
<b>Safety-related maximum values for Ex version, model 892.44</b>	
Supply voltage $U_i$	DC 14 ... 30 V
Short-circuit current $I_i$	$\leq 100\text{ mA}$
Power $P_i$	$\leq 720\text{ mW}$
Internal capacitance $C_i$	$\leq 17.5\text{ nF}$
Internal inductance $L_i$	negligible

1) Only possible within 30 seconds of connecting the voltage supply

# Inhalt

<b>1. Allgemeines</b>	<b>30</b>
<b>2. Sicherheit</b>	<b>31</b>
2.1 Symbolerklärung . . . . .	31
2.2 Bestimmungsgemäße Verwendung . . . . .	31
2.3 Fehlgebrauch . . . . .	32
2.4 Verantwortung des Betreibers . . . . .	32
2.5 Personalqualifikation . . . . .	33
2.6 Beschilderung, Sicherheitskennzeichnungen. . . . .	33
2.7 Ex-Ausführung . . . . .	34
2.8 Besondere Bedingungen für die sichere Verwendung (X-Conditions). . . . .	35
<b>3. Transport, Verpackung und Lagerung</b>	<b>35</b>
3.1 Transport . . . . .	35
3.2 Verpackung und Lagerung . . . . .	35
<b>4. Inbetriebnahme, Betrieb</b>	<b>36</b>
4.1 Mechanische Montage . . . . .	37
4.2 Differenzdruckanzeige . . . . .	39
4.3 Wechselbare Steckskalen (Option) . . . . .	41
4.4 Ventilblock mit Betriebsdruckanzeige (Option) . . . . .	41
4.5 Elektrischer Anschluss . . . . .	44
4.6 Integrierte Transmitterelektronik (Option) . . . . .	47
<b>5. Störungen</b>	<b>50</b>
<b>6. Wartung und Reinigung</b>	<b>50</b>
6.1 Wartung . . . . .	50
6.2 Reinigung. . . . .	51
<b>7. Demontage, Rücksendung und Entsorgung</b>	<b>51</b>
7.1 Demontage . . . . .	52
7.2 Rücksendung . . . . .	52
7.3 Entsorgung . . . . .	52
<b>8. Technische Daten</b>	<b>53</b>
8.1 Zulässige Temperaturbereiche . . . . .	53
8.2 Differenzdruckmanometer . . . . .	53
8.3 Integrierte Transmitterelektronik (Option) . . . . .	54
<b>Anlage 1: Anschlussbelegung für Magnetspringkontakte</b>	<b>108</b>
<b>Anlage 2: EU-Konformitätserklärung</b>	<b>111</b>

Konformitätserklärungen finden Sie online unter [www.wika.de](http://www.wika.de).

## 1. Allgemeines

- Das in der Betriebsanleitung beschriebene Gerät wird nach den neuesten Erkenntnissen konstruiert und gefertigt. Alle Komponenten unterliegen während der Fertigung strengen Qualitäts- und Umweltkriterien. Unsere Managementsysteme sind nach ISO 9001 und ISO 14001 zertifiziert.
- Diese Betriebsanleitung gibt wichtige Hinweise zum Umgang mit dem Gerät. Voraussetzung für sicheres Arbeiten ist die Einhaltung aller angegebenen Sicherheitshinweise und Handlungsanweisungen.
- Die für den Einsatzbereich des Gerätes geltenden örtlichen Unfallverhütungsvorschriften und allgemeinen Sicherheitsbestimmungen einhalten.
- Die Betriebsanleitung ist Produktbestandteil und muss in unmittelbarer Nähe des Gerätes für das Fachpersonal jederzeit zugänglich aufbewahrt werden.
- Das Fachpersonal muss die Betriebsanleitung vor Beginn aller Arbeiten sorgfältig durchgelesen und verstanden haben.
- Die Haftung des Herstellers erlischt bei Schäden durch bestimmungswidrige Verwendung, Nichtbeachten dieser Betriebsanleitung, Einsatz ungenügend qualifizierten Fachpersonals sowie eigenmächtiger Veränderung am Gerät.
- Es gelten die allgemeinen Geschäftsbedingungen in den Verkaufsunterlagen.
- Technische Änderungen vorbehalten.
- Weitere Informationen:
  - Internet-Adresse: [www.wika.de](http://www.wika.de) / [www.wika.com](http://www.wika.com)
  - EN 837-2 Auswahl- und Einbauempfehlungen für Druckmessgeräte

Typ	Ex-Ausführung	Beschreibung	Datenblatt
712.15.160, 732.15.160	Option	Differenzdruckmanometer	PM 07.30
891.44	Nein	Integrierte Transmitterelektronik (Option)	PM 07.30
892.44	Ja	Integrierte Transmitterelektronik (Option)	PM 07.30
828	Nein	Magnetspringkontakt (Option)	PM 07.30
212.20.100	Nein	Manometer für Betriebsdruckanzeige (Option)	PM 02.01
232.50.063, 232.50.100	Option	Manometer für Betriebsdruckanzeige (Option)	PM 02.02
232.30.100	Option	Manometer für Betriebsdruckanzeige (Option)	PM 02.04
A-10	Nein	Drucksensor für Betriebsdruck (Option)	PE 81.60
IS-3	Ja	Drucksensor für Betriebsdruck (Option)	PE 81.58

Je nach Ausführung die zusätzlich beigelegte(n) Betriebsanleitung(en) beachten!

## 2. Sicherheit

### 2.1 Symbolerklärung



#### **WARNUNG!**

... weist auf eine möglicherweise gefährliche Situation hin, die zum Tod oder zu schweren Verletzungen führen kann, wenn sie nicht gemieden wird.



#### **VORSICHT!**

... weist auf eine möglicherweise gefährliche Situation hin, die zu geringfügigen oder leichten Verletzungen bzw. Sach- und Umweltschäden führen kann, wenn sie nicht gemieden wird.



#### **GEFAHR!**

... kennzeichnet Gefährdungen durch elektrischen Strom. Bei Nichtbeachtung der Sicherheitshinweise besteht die Gefahr schwerer oder tödlicher Verletzungen.



#### **WARNUNG!**

... weist auf eine möglicherweise gefährliche Situation im explosionsgefährdeten Bereich hin, die zum Tod oder zu schweren Verletzungen führt, wenn sie nicht gemieden wird.



#### **WARNUNG!**

... weist auf eine möglicherweise gefährliche Situation hin, die durch heiße Oberflächen oder Flüssigkeiten zu Verbrennungen führen kann, wenn sie nicht gemieden wird.



#### **Information**

... hebt nützliche Tipps und Empfehlungen sowie Informationen für einen effizienten und störungsfreien Betrieb hervor.

### 2.2 Bestimmungsgemäße Verwendung

Die mechanischen Differenzdruckmessgeräte dienen der Anzeige von Füllständen an geschlossenen Behältern, insbesondere in der Kryotechnik. Je nach Ausführung kann mit einer integrierten Transmitterelektronik ein elektrisches Ausgangssignal des Füllstandes zur Steuerung oder Regelung ausgegeben werden. Mit optional angebautem Ventilblock wird die Inbetriebnahme und Wartung des Gerätes erleichtert. Wahlweise kann zusätzlich der Betriebsdruck mit einem Manometer oder Drucksensor gemessen werden.

Das Gerät bietet viele Anwendungsmöglichkeiten speziell für gasförmige und flüssige Gase, oder auch nicht aggressive, nicht hochviskose und nicht kristallisierende Messstoffe.

Das Gerät nur in Anwendungen verwenden, die innerhalb seiner technischen Leistungsgrenzen liegen (z. B. Temperaturgrenzen, Materialverträglichkeit, ...).

→ Leistungsgrenzen siehe Kapitel 8 „Technische Daten“

Das Gerät ist ausschließlich für den hier beschriebenen bestimmungsgemäßen Verwendungszweck konzipiert und konstruiert und darf nur dementsprechend verwendet werden. Ansprüche jeglicher Art aufgrund von nicht bestimmungsgemäßer Verwendung sind ausgeschlossen.

### 2.3 Fehlgebrauch



#### **WARNUNG!**

#### **Verletzungen durch Fehlgebrauch**

Fehlgebrauch des Gerätes kann zu gefährlichen Situationen und Verletzungen führen.

- ▶ Eigenmächtige Umbauten am Gerät unterlassen.
- ▶ Gerät nicht für abrasive und viskose Messstoffe verwenden.

Jede über die bestimmungsgemäße Verwendung hinausgehende oder andersartige Benutzung gilt als Fehlgebrauch.

### 2.4 Verantwortung des Betreibers

Das Gerät wird im gewerblichen Bereich eingesetzt. Der Betreiber unterliegt daher den gesetzlichen Pflichten zur Arbeitssicherheit.

Die Sicherheitshinweise dieser Betriebsanleitung, sowie die für den Einsatzbereich des Gerätes gültigen Sicherheits-, Unfallverhütungs- und Umweltschutzvorschriften einhalten.

Der Betreiber ist verpflichtet das Typenschild lesbar zu halten.

Für ein sicheres Arbeiten am Gerät muss der Betreiber sicherstellen,

- dass eine entsprechende Erste-Hilfe-Ausrüstung vorhanden ist und bei Bedarf jederzeit Hilfe zur Stelle ist.
- dass das Bedienpersonal regelmäßig in allen zutreffenden Fragen von Arbeitssicherheit, Erste Hilfe und Umweltschutz unterwiesen wird, sowie die Betriebsanleitung und insbesondere die darin enthaltenen Sicherheitshinweise kennt.
- dass das Gerät gemäß der bestimmungsgemäßen Verwendung für den Anwendungsfall geeignet ist.
- dass die persönliche Schutzausrüstung verfügbar ist.



An den messstoffberührten Teilen des Gerätes können herstellungsbedingt geringe Restmengen des Justagemediums (z. B. Druckluft, Wasser, Öl) anhaften. Bei erhöhten Anforderungen an die technische Sauberkeit muss die Eignung für den Anwendungsfall vor Inbetriebnahme vom Betreiber geprüft sein.



### 2.5 Personalqualifikation



#### WARNUNG!

#### Verletzungsgefahr bei unzureichender Qualifikation!

Unsachgemäßer Umgang kann zu erheblichen Personen- und Sachschäden führen.

Die in dieser Betriebsanleitung beschriebenen Tätigkeiten nur durch Fachpersonal nachfolgend beschriebener Qualifikation durchführen lassen.

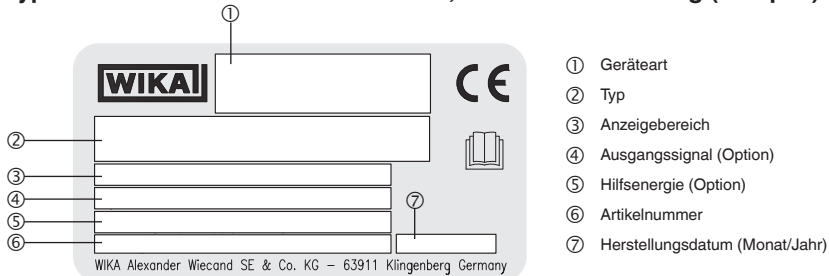
DE

#### Fachpersonal

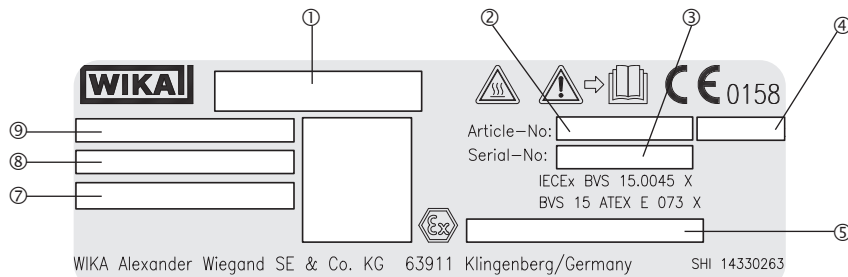
Das Fachpersonal ist aufgrund seiner fachlichen Ausbildung, seiner Kenntnisse der Mess- und Regelungstechnik und seiner Erfahrungen sowie Kenntnis der landesspezifischen Vorschriften, geltenden Normen und Richtlinien in der Lage, die beschriebenen Arbeiten auszuführen und mögliche Gefahren selbstständig zu erkennen.

### 2.6 Beschilderung, Sicherheitskennzeichnungen

#### Typenschild Differenzdruckmanometer, Nicht-Ex-Ausführung (Beispiel)



#### Typenschild Differenzdruckmanometer, Ex-Ausführung (Beispiel)



① Typ + Transmitterelektronik

② Artikelnummer

③ Seriennummer

④ Herstellungsdatum (Monat/Jahr)

⑤ Ex-Kennzeichnung

⑥ Hilfsenergie

⑦ Ausgangssignal

⑧ Anzeigebereich



Vor Montage und Inbetriebnahme des Gerätes unbedingt die Betriebsanleitung lesen!



### Verbrennungsgefahr!

Möglicherweise gefährliche Situation durch heiße Oberflächen.



Das Gerät mit dieser Kennzeichnung ist ein Sicherheitsdruckmessgerät mit bruch-sicherer Trennwand nach EN 837, Sicherheitsausführung „S3“.



Nicht mit dem Hausmüll entsorgen. Für eine geordnete Entsorgung gemäß nationaler Vorgaben sorgen.

## 2.7 Ex-Ausführung

Die Ex-Ausführung der Typen 712.15.160 und 732.15.160 besteht ausschließlich aus mechanischem Differenzdruckmanometer mit integrierter Transmitterelektronik Typ 892.44.



### GEFAHR!

#### Lebensgefahr durch Verlust des Explosionsschutzes

Die Nichtbeachtung dieser Inhalte und Anweisungen kann zum Verlust des Explosionsschutzes führen.

- ▶ Sicherheitshinweise in diesem Kapitel sowie weitere Explosionsschutzhinweise in dieser Betriebsanleitung beachten.
- ▶ Die Angaben der geltenden Baumusterprüfbescheinigung sowie die jeweiligen landesspezifischen Vorschriften zur Installation und Einsatz in explosionsgefährdeten Bereichen (z. B. IEC 60079-14, NEC, CEC) einhalten.

Überprüfen, ob die Klassifizierung für den Einsatzfall geeignet ist. Die jeweiligen nationalen Vorschriften und Bestimmungen beachten.

### Ex-Kennzeichnung

**ATEX**

**IECEX**

II 2G Ex ia IIC T4/T5/T6 Gb

### Zulässiger Temperaturbereich

Für die Ermittlung der maximalen Temperatur am Gerät sind außer der Messstofftemperatur noch andere Einflüsse wie z. B. die Umgebungstemperatur und gegebenenfalls die Sonneneinstrahlung zu berücksichtigen.

Geforderte Temperaturklasse (Zündtemperatur)	Zulässiger Temperaturbereich am Gerät
T6 und T5	-40 ... +60 °C
T4	-40 ... +80 °C

Die Montage ist so auszuführen, dass der zulässige Temperaturbereich des Gerätes, auch unter Berücksichtigung des Einflusses von Konvektion und Wärmestrahlung, weder unter- noch überschritten wird.

Die zulässigen Temperaturbereiche dürfen auch am Gerät nicht überschritten werden. Gegebenenfalls sind Maßnahmen zur Kühlung (wie z. B. Wassersackrohr, Instrumentierungsventil) zu ergreifen.

### 2.8 Besondere Bedingungen für die sichere Verwendung (X-Conditions)

1. Zur sicheren Verwendung des Gerätes sind alle Angaben, insbesondere die Angaben zur Ex-Ausführung, in den Kapiteln dieser Betriebsanleitung zu beachten.
2. Die Ex-Ausführung des Gerätes kann in folgendem **Umgebungstemperaturbereich**  $T_a$  verwendet werden:
  - 40 °C ≤  $T_a$  ≤ +60 °C für Temperaturklasse T6 und T5
  - 40 °C ≤  $T_a$  ≤ +80 °C für Temperaturklasse T4
3. Der zulässige **Messstofftemperaturbereich**  $T_m$  muss am Gerät eingehalten werden:
  - 40 °C ≤  $T_m$  ≤ +60 °C für Sauerstoff
  - 40 °C ≤  $T_m$  ≤ +60 °C für Temperaturklasse T6 und T5
  - 40 °C ≤  $T_m$  ≤ +80 °C für Temperaturklasse T4

## 3. Transport, Verpackung und Lagerung

### 3.1 Transport

Gerät auf eventuell vorhandene Transportschäden untersuchen.  
Offensichtliche Schäden unverzüglich mitteilen.



#### **VORSICHT!**

#### **Beschädigungen durch unsachgemäßen Transport**

Bei unsachgemäßem Transport können Sachschäden in erheblicher Höhe entstehen.

- ▶ Beim Abladen der Packstücke bei Anlieferung sowie innerbetrieblichem Transport vorsichtig vorgehen und die Symbole auf der Verpackung beachten.
- ▶ Bei innerbetrieblichem Transport die Hinweise unter Kapitel 3.2 „Verpackung und Lagerung“ beachten.

### 3.2 Verpackung und Lagerung

Verpackung erst unmittelbar vor der Montage entfernen.

Die Verpackung aufbewahren, denn diese bietet bei einem Transport einen optimalen Schutz (z. B. wechselnder Einbauort, Reparatursendung).

#### **Zulässige Bedingungen am Lagerort:**

Lagertemperatur: -20 ... +60 °C

#### **Folgende Einflüsse vermeiden:**

- Direktes Sonnenlicht oder Nähe zu heißen Gegenständen
- Mechanische Vibration, mechanischer Schock (hartes Aufstellen)
- Ruß, Dampf, Staub und korrosive Gase
- Explosionsgefährdete Umgebung, entzündliche Atmosphären

DE

Das Gerät in der Originalverpackung an einem Ort lagern, der die oben gelisteten Bedingungen erfüllt.

## 4. Inbetriebnahme, Betrieb

**Personal:** Fachpersonal

Vor Montage, Inbetriebnahme und Betrieb sicherstellen, dass das richtige Gerät hinsichtlich Anzeigebereich, Ausführung und spezifischen Messbedingungen ausgewählt wurde.



#### **GEFAHR!**

##### **Lebensgefahr durch Explosion!**

Durch Arbeiten in entzündlichen Atmosphären besteht Explosionsgefahr, die zum Tod führen kann.

- ▶ Rüstarbeiten nur in nicht-explosionsgefährdeter Umgebung durchführen!



#### **WARNUNG!**

##### **Körperverletzungen, Sach- und Umweltschäden durch gefährliche Messstoffe**

Bei Kontakt mit gefährlichen Messstoffen (z. B. Sauerstoff, Acetylen, brennbaren oder giftigen Stoffen), gesundheitsgefährdenden Messstoffen (z. B. ätzend, giftig, krebserregend, radioaktiv) besteht die Gefahr von Körperverletzungen, Sach- und Umweltschäden.

Am Gerät können im Fehlerfall aggressive Messstoffe mit extremer Temperatur und unter hohem Druck anliegen.

- ▶ Bei diesen Messstoffen müssen über die gesamten allgemeinen Regeln hinaus die einschlägigen Vorschriften beachtet werden.
- ▶ Notwendige Schutzausrüstung tragen.



#### **WARNUNG!**

##### **Körperverletzungen, Sach- und Umweltschäden durch unter hohem Druck austretende Messstoffe**

Bei der Druckbeaufschlagung des Gerätes kann aufgrund schlechter Abdichtung des Prozessanschlusses Messstoff unter hohem Druck entweichen.

Durch die hohe Energie des im Fehlerfall austretenden Messstoffes besteht die Gefahr von Körperverletzungen und Sachschäden.

- ▶ Die Abdichtung des Prozessanschlusses muss fachgerecht ausgeführt und auf Dichtheit überprüft werden.

### Anforderungen an die Einbaustelle

Ist die Leitung zum Messgerät für eine erschütterungsfreie Anbringung nicht stabil genug, sollte die Befestigung mittels Messgerätehalterung erfolgen. Die Geräte sind vor grober Verschmutzung und starken Schwankungen der Umgebungstemperatur zu schützen.

#### 4.1 Mechanische Montage

Die Montage des Differenzdruckmanometers erfolgt in Anlehnung an die Einbauempfehlungen für Druckmessgeräte nach EN 837-2 /7.

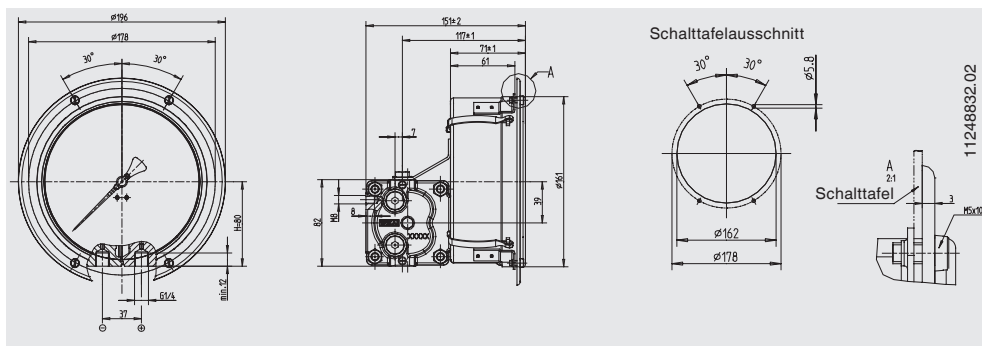
- Messleitungen vor der Montage gründlich durch Abklopfen und Ausblasen oder Durchspülen reinigen.
- Geräte sollen erschütterungsfrei montiert und betrieben werden.  
Befestigung über starre Messleitungen und/oder 4 Montagebohrungen M8 im Messflansch.
- Manometer sollen vor Verschmutzung und starken Temperaturschwankungen geschützt sein.
- Maximal zulässige Messstoff-/Umgebungstemperatur darf nicht überschritten werden.
- Montage des Prozessanschlusses nach angebrachten Symbolen  $\oplus$  und  $\ominus$ .  
 $\oplus$  hoher Druck  $\Rightarrow$  Bodendruck ( $p_B$ )  
 $\ominus$  niedriger Druck  $\Rightarrow$  Betriebsdruck/Überlagerungsdruck ( $p_D$ )

$$p_B = p_{FL} + p_D$$

(wobei  $p_{FL}$  = hydrostatischer Druck der Flüssigkeit =  $r \cdot g \cdot h$ )



### Schalttafeleinbau (Option)



11248832.02

DE

### 4.2 Differenzdruckanzeige

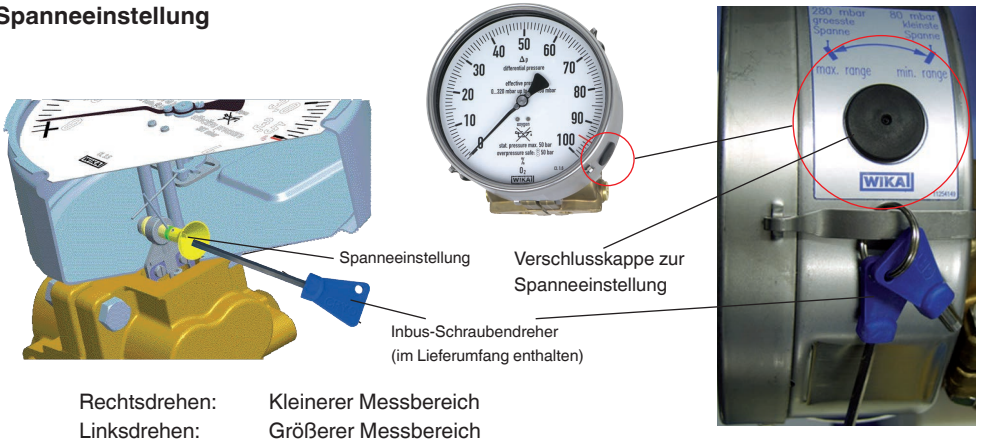
Die Messspanne des Differenzdruckmanometers kann je nach Messzelle auf die in der Tabelle angegebenen Messbereichsgrenzen eingestellt werden. Die Einstellung sollte zweckmäßig auf dem Prüfstand erfolgen, kann jedoch auch direkt an der Messstelle mittels Handprüfpumpe vorgenommen werden.

### Messbereichsgrenzen

Messzelle	Einstellbare Anzeigebereiche	
	von	bis
140 mbar	0 ... 40 mbar	0 ... 140 mbar
280 mbar	0 ... 80 mbar	0 ... 280 mbar
560 mbar	0 ... 160 mbar	0 ... 560 mbar
1.130 mbar	0 ... 320 mbar	0 ... 1.130 mbar
2.300 mbar	0 ... 650 mbar	0 ... 2.300 mbar
4.000 mbar	0 ... 1.150 mbar	0 ... 4.000 mbar

## Spanneinstellung

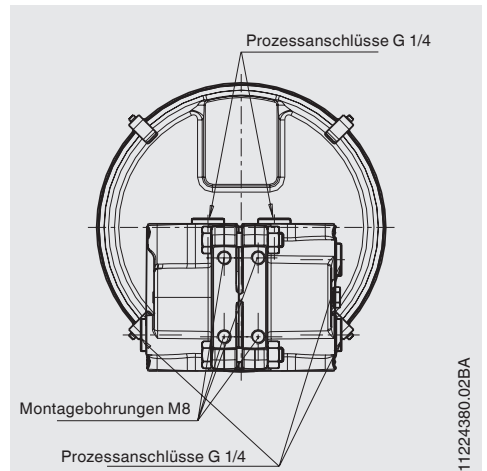
DE



1. Die Spanneinstellung ist am Gehäuseumfang bei 4 Uhr durch Abnehmen der Verschlusskappe zugänglich.
2. Das Gerät mit dem gewünschten Nenndruck beaufschlagen.
3. Mittels Inbus-Schraubendreher (SW 3 mm) in die Trichterführung eintauchen und durch Rechts- (kleinerer Messbereich) oder Linksdrehen (größerer Messbereich) den Zeiger auf Endwert verstellen. Danach ist das Gerät bereits auf den gewünschten Messbereich eingestellt.
4. Ist das Gerät mit einem Transmitter Typ 89x.44 ausgerüstet, so ist mit dieser Prozedur auch das Ausgangssignal auf den neuen Messbereich eingestellt.
5. Nach Beendigung der Einstellung ist das Gerät wieder mit der Verschlusskappe zu verschließen.

## Zusätzliche Prozessanschlüsse

- Drei zusätzliche G ¼ Innengewinde an Minusmessstoffkammer (rechter Messzellenflansch bei Ansicht des Gerätes von hinten) z. B. zum Anschluss eines Druckschalters, Sicherheitsventiles oder Drucksensors Typ A-10 bzw. IS-3
- Zwei G ¼ Innengewinde an Plusmessstoffkammer (linker Messzellenflansch bei Ansicht des Gerätes von hinten) z. B. zur Rekalibrierung

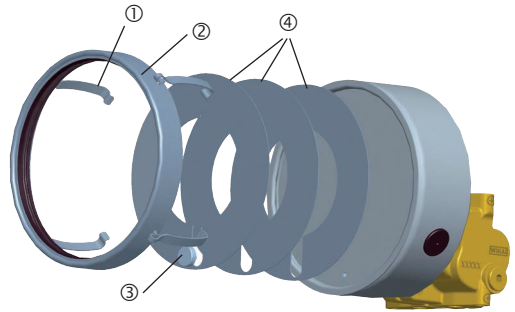


11265191.12.05/2021 EN/DE/FR/ES



### 4.3 Wechselbare Steckskalen (Option)

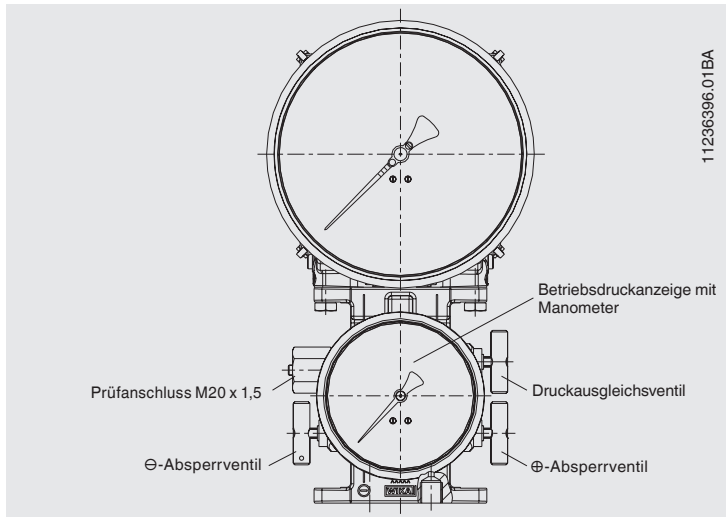
1. Spannbügel am Gehäuse des Differenzdruckmanometer lösen und Überring mit Sichtscheibe entfernen.
2. Rändelschraube lösen und ganz herausnehmen.
3. Alle drei Skalen entnehmen und mit gewünschter Skala vorne wieder einlegen.
4. Rändelschraube aufsetzen und festziehen.
5. Den Überring mit Sichtscheibe und die Spannbügel wieder montieren.



- ① Spannbügel
- ② Überring
- ③ Rändelschraube
- ④ Skalen

### 4.4 Ventilblock mit Betriebsdruckanzeige (Option)

Die Erweiterung mit einem anflanschbaren, kompakten Ventilblock mit Manometer ermöglicht zusätzlich zur Füllstandsermittlung die Messung des Betriebsdrucks an einer zentralen Messstelle.



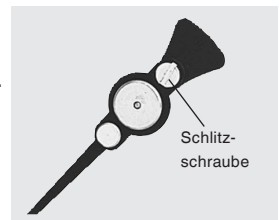
### Manometer für Betriebsdruckanzeige (Option)

Nicht-Ex-Ausführung: Typ 212.20.100

Ex-Ausführung: Typen 232.50.100, 232.30.100

### Funktionen Ventilblock

- Absperrung der Prozessleitung ohne Störung des Betriebsablaufes:
  - Zur Geräteredemontage und -prüfung
  - Zum Schutz des Gerätes gegen unzulässige Überdruckbelastung bei n-facher Prüfdruckbelastung der Anlage
- Schutz des Gerätes vor Druckstößen und -schlägen und damit undefinierten Betriebsverhältnissen
- Gerätestilllegung, z. B. Messungen sind über längere Betriebszeiten nur sporadisch gefordert (zur Erhöhung der Lebensdauer des Gerätes bei hoher Druckwechselfrequenz)
- Rekalibrierung des Differenzdruckmanometers (Füllstandsanzeiger)
  1. Absperrventile der  $\oplus$ - und  $\ominus$ -Seite schließen
  2. Danach Druckausgleichsventil öffnen, kurz abwarten und anschließend Druckausgleichsventil wieder verschließen
  3. Über zusätzliches G  $\frac{1}{4}$  Innengewinde an der  $\oplus$ -Seite des Messsystems wird Drucknormal und Druckerzeuger angeschlossen
  4. Im Ventilblock auf der  $\ominus$ -Seite Prüfanschlusschraube entfernen
  5. Die  $\oplus$ -Seite kann jetzt mit Druck beaufschlagt werden
    - Nach erfolgter Justage:
      - Prüfanschlusschraube wieder schließen
      - Drucknormal und Druckerzeuger wieder entfernen und Anschluss verschließen
      - zuerst  $\oplus$ -Absperrventil, danach  $\ominus$ -Absperrventil langsam öffnen
- Prüfanschluss M20 x 1,5 für die Überprüfung des Messgerätes für den Betriebsdruck. Mit dem Druckausgleichsventil wird eine Nullpunktkontrolle im laufenden Betriebsprozess (bei geöffnetem Ventil) ermöglicht.
  1. Absperrventile der  $\oplus$ - und  $\ominus$ -Seite schließen
  2. Danach Druckausgleichsventil öffnen
- Der Messstoff strömt von der Seite höheren Druckes zur Gegenseite, Differenzdruck am Gerät fällt auf Null (Differenzdruckanzeige muss auf Null, d. h. in den Bereich des Nullpunkt-Toleranzbandes gehen, Gerätefunktion ist damit in Ordnung).
- Bei Abweichung kann eine Nullpunkteinstellung über den standardmäßig eingebauten Verstellzeiger erfolgen (vorher Bajonettring lösen und Sichtscheibe sowie Dichtung entfernen). Die Nullpunkteinstellung wird durch Verdrehen der Schlitzschraube am Verstellzeiger erreicht. Nach erfolgter Nullpunkteinstellung Bajonettring inklusive Sichtscheibe und Dichtung wieder befestigen und Druckausgleichsventil schließen.
- Für Ausführungen mit integrierter Transmitterelektronik ist der elektrische Nullpunkt einzustellen.
  3. Druckausgleichsventil wieder verschließen
  4. Zuerst  $\oplus$ -Absperrventil, danach  $\ominus$ -Absperrventil langsam öffnen



### Adapter für Prozessanschluss (Option)

Die Adapter können entweder direkt an das Differenzdruckmanometer oder an den Ventilblock angeflanscht werden.

4 verschiedene Prozessanschlüsse stehen zur Auswahl:

- 2 x G ½, Innengewinde, Achsabstand 31 mm oder 54 mm
- 2 x ¼ NPT, Innengewinde, Achsabstand 31 mm oder 54 mm



DE

Bei Einzelbestellung sind alle für die Montage am Differenzdruckmanometer oder am Ventilblock erforderlichen Teile im Lieferumfang enthalten:

- 2 x Sechskantschrauben M8 x 16
- 2 x Sechskantschrauben M8 x 28
- 2 x Mutter M8
- 2 x O-Ring-Dichtung

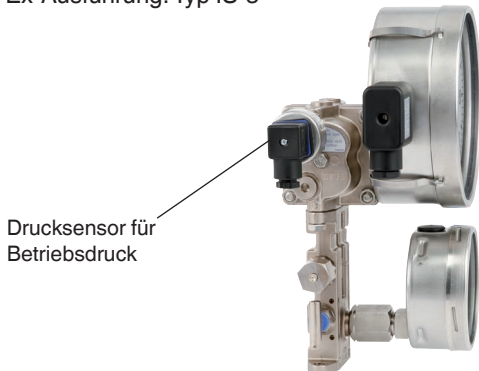
### 4.5 Elektrischer Anschluss

Der elektrische Anschluss darf nur durch qualifiziertes Fachpersonal erfolgen. Das Gerät muss in den Potentialausgleich der Anlage eingebunden werden.

#### Drucksensor für Betriebsdruck (Option)

Nicht-Ex-Ausführung: Typ A-10

Ex-Ausführung: Typ IS-3



Drucksensor für Betriebsdruck

Die Drucksensoren für den Betriebsdruck sind an der linken Seite in die  $\Theta$ -Messstoffkammer eingeschraubt und können bei Bedarf auch vor Ort angebaut werden.

Prozessanschluss Drucksensor: G 1/4 außen



Technische Daten	A-10	IS-3
Datenblatt	PE 81.60	PE 81.58
Für Ex-Bereich	Nein	Ja, eigensicher
Messbereiche	0 ... 2,5 bar bis 0 ... 60 bar	0 ... 2,5 bar bis 0 ... 60 bar
Ausgänge	4 ... 20 mA	4 ... 20 mA (Speisetrenner erforderlich)
Messstofftemperatur	-30 ... +100 °C	-20 ... +60 °C
Umgebungstemperatur	-30 ... +80 °C	-20 ... +60 °C
Messstoffberührte Teile	CrNi-Stahl	CrNi-Stahl
Hilfsenergie $U_B$	DC 10 V < $U_B$ ≤ 30 V	DC 10 V < $U_B$ ≤ 30 V
Zulässige max. Bürde $R_A$	$R_A \leq (U_B - 8 \text{ V}) / 0,02 \text{ A}$	$R_A \leq (U_B - 10 \text{ V}) / 0,02 \text{ A}$
Genauigkeit, Toleranzband-einstellung, BFSL	≤ 0,5 % d. Spanne	≤ 0,2 % d. Spanne
Kompensierter Temperaturbereich	0 ... +80 °C	0 ... +60 °C
Belegung der Anschlussklemmen, 2-Leiter		

Separat beigelegte Betriebsanleitung für den jeweiligen Drucksensor beachten!

### Magnetspringkontakte (Option)

Elektrische Schaltkontakte für Füllstandsanzeiger und/oder Betriebsdruck öffnen Stromkreise in Abhängigkeit von der Zeigerstellung der anzeigenden Messgeräte.

### Ausführung

1- und 2-fach-Magnetspringkontakt, Typ 828

Beim Schaltkontakt im Baukastensystem handelt es sich um eine Aufbaueinheit, die in wenigen Minuten auf das Manometer aufgebaut werden kann. Die Schaltkontakte sind in Schutzart IP65 ausgeführt. Die Ankopplung an den Istwertzeiger erfolgt über eine Spezialgabel, so dass am Zeiger selbst kein Mitnehmerstift benötigt wird. Durch diese einfache Montage kann das Gerät äußerst schnell und preiswert in ein Kontaktmanometer umgebaut werden.

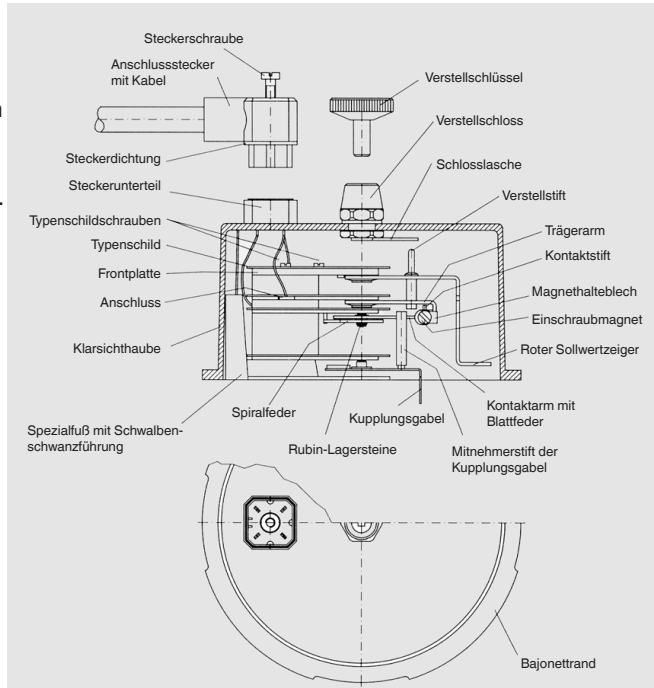
Die Schaltkontakte bestehen im Wesentlichen aus:

- dem bereits verdrahteten Schaltkontakt, der mit einem Spezialfuß und einer Gabelkuppung ausgerüstet ist
- einer Klarsichthaube (Polycarbonat) mit Schwalbenschwanzführung, in die der Grenzsignalegeber mit dem Spezialfuß eingeschoben und mit einer Kreuzschlitzschraube befestigt ist
- einem der Klarsichthaube angespritzten bzw. verschweißten Steckerunterteil (4-polig)
- einem in der Mitte der Klarsichthaube montierten Verstellverschluss.

Durch das Verstellverschluss mit separatem oder fest montiertem Schlüssel werden die Sollwertzeiger des eingebauten Schaltkontaktes von außen auf den Wert eingestellt, bei dem der Schaltvorgang erfolgen soll.

Die Schaltkontakte sind so konstruiert, dass der Istwertzeiger nach erfolgter Kontaktgabe über den eingestellten Sollwertzeiger hinaus weiterlaufen kann; die einmal erfolgte Kontaktgabe bleibt erhalten.

Die Konstruktion garantiert bei Stromausfall einen stabilen, der Stellung des Istwertzeigers entsprechenden Schaltzustand.



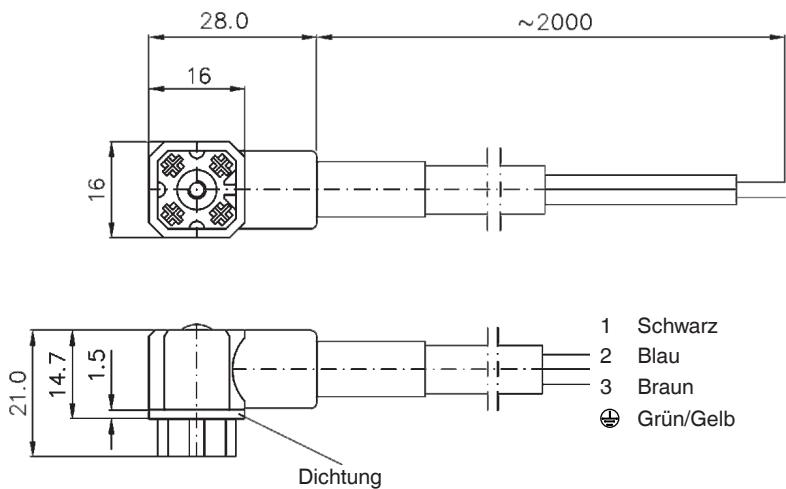
## Montage der Schaltkontakte



## Anschlussbelegung

Siehe Anhang „Anschlussbelegung für Magnetspringkontakte“.

## Kabel mit Anschlussstecker



### 4.6 Integrierte Transmitterelektronik (Option)

Nicht-Ex-Ausführung: Typ 891.44

Ex-Ausführung: Typ 892.44

Siehe Kapitel 8 „Technische Daten“

WIKA Differenzdruckmanometer mit integriertem Transmitter Typ 89x.44 verbinden alle Vorteile einer mechanischen Anzeige vor Ort mit den Forderungen nach einer elektrischen Signalübertragung für eine moderne Messwerterfassung in der Industrie.

Die Transmitterelektronik ist im Gehäuse des Füllstandsanzeigers integriert. Die Messspanne (elektrisches Ausgangssignal) wird automatisch mit der mechanischen Anzeige eingestellt, d. h. die Skale über 270 Winkelgrade entspricht 4 ... 20 mA (siehe Differenzdruckanzeige).

#### Hilfsenergie Nicht-Ex-Ausführung

Passende Stromversorgung:

Typ KFA6-STR-1.24.500, AC 115/230 V, für Hutschiene, Bestellnummer: 7305636

#### Hilfsenergie Ex-Ausführung

Das Gerät darf nur in Verbindung mit einem entsprechenden Ex-Speisetrenner betrieben werden.

Passende Ex-Speisetrenner:

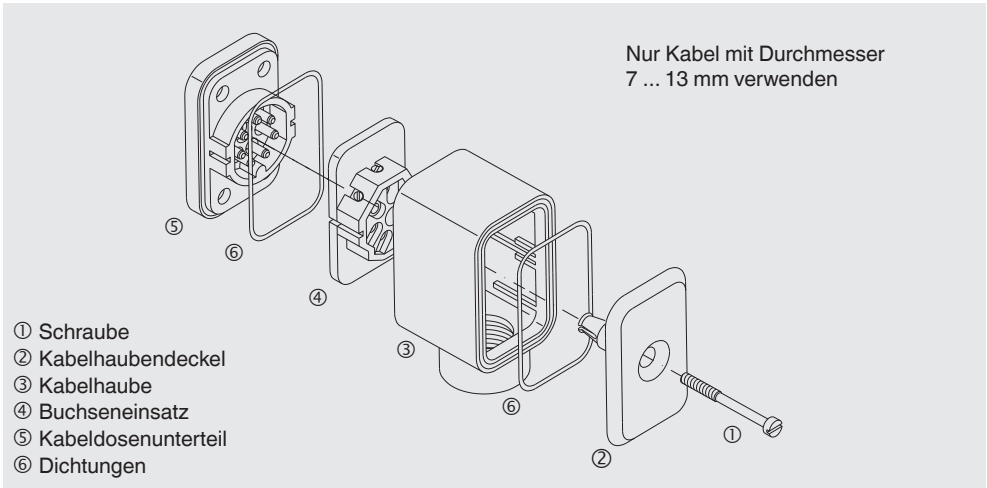
- Typ KFD2-STC4-Ex1, DC 20 ... 35 V, für Hutschiene, Bestellnummer: 2341268
- Typ IS Barrier, DC 19,2 ... 30 V, für Hutschiene, Bestellnummer: 14117118

#### Sicherheitshinweise bei Installation

- Geräte gemäß Herstellerangaben und den gültigen Normen und Regeln installieren.
- An die Anschlussleitungen des Gerätes nur Stromkreise mit gleicher Spannung bzw. von gleicher Schutzart anschließen.
- Anschlussleitungen für die größte Stromstärke in den Stromkreisen bemessen und auf ausreichende UV- und mechanische Beständigkeit achten.
- Bei flexiblen Anschlussleitungen isolierte Aderendhülsen verwenden. Max. zulässiger Leitungsquerschnitt 1,5 mm<sup>2</sup>.
- Anschlussleitungen müssen für den Umgebungstemperaturbereich der Applikation geeignet sein.
- Die Anschlussleitungen müssen auch für die mitgelieferte Kabelverschraubung geeignet sein (Durchmesserbereich siehe unten).
- Kabeleinführung mit den entsprechend zugelassenen Kabelverschraubungen dicht verschließen.
- Anschlusskabel fest verlegen.

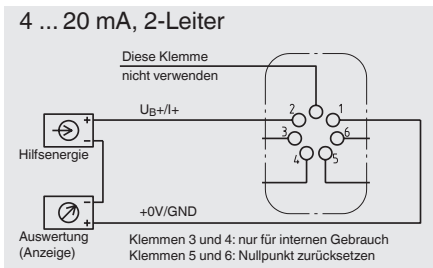
### Demontage Kabeldose

Die Kabeldose ist vormontiert und muss wie nachfolgend beschrieben zerlegt werden.



- Mit einem Schlitzschraubendreher (0,6 x 3,5 mm) die Schraube am Kabelhaubendeckel vollständig lösen und entnehmen.
- Die Kabelhaube samt Buchseneinsatz vom Kabeldosenunterteil (fest mit Gerät verbunden) abziehen.
- Kabelhaubendeckel entfernen und den Buchseneinsatz ganz durch die Kabelhaube nach unten herausdrücken.

### Anschlussbelegung Kabeldose



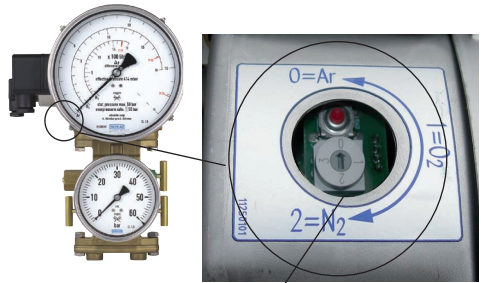
Bei **Mehrfachskalen** oder wechselbaren Steckskaleten (Option) kann das darauf abgestimmte Ausgangssignal von 4 ... 20 mA in einem Mikroprozessor abgelegt werden.



Durch Verdrehen des optionalen **BCD-Schalters** (erreichbar durch Abnehmen einer Verschlusskappe links seitlich am Gehäuse) mittels Schraubendreher lässt sich das Ausgangssignal auf die gewünschte Gasart umstellen.

### Elektrischer Nullpunkt mit Option BCD-Schalter

Sollte ein Nullpunktgleich notwendig werden (z. B. nach erfolgter mechanischer Nullpunkteinstellung), so ist das Gerät zunächst spannungsfrei zu schalten (Stecker abziehen). Danach ist die Spannungsversorgung wieder herzustellen (Stecker montieren) und innerhalb von 30 Sekunden die Nullpunktaste für ca. 1 Sekunde zu drücken.



BCD-Schalter (Skalenauswahlschalter) und Nullpunktaste (Verschlusskappe entfernt)

### Elektrischer Nullpunkt ohne Option BCD-Schalter

Wurde der mechanische Nullpunkt über den Verstellzeiger verändert, muss der elektrische Nullpunkt dem mechanischen angepasst werden. Dazu den Druckwert des Skalenanfangs anfahren. Der Skalenanfang entspricht dem kleinsten elektrischen Signal. Mit einem kurzen, an beiden Enden abisolierten Stück Litzendraht (maximal zulässiger Widerstand 30  $\Omega$ ) Klemmen 5 und 6 am Buchseneinsatz überbrücken.

### Montage Kabeldose

- Buchseneinsatz mit Kabelhaube verbinden und Kabelhaubendeckel mit Dichtung und Schraube zusammensetzen (siehe Zeichnung Kabeldose).
- Die gerade montierte Baugruppe auf das Kabeldosenunterteil mit Dichtung stecken.
- Mit einem Schlitzschraubendreher (0,6 x 3,5 mm) die Schraube am Kabelhaubendeckel vollständig einschrauben.



Damit die Schutzart erhalten bleibt, unbedingt die Dichtungen wieder montieren.

Nach Einschalten der Hilfsenergie wird innerhalb von max. 30 Sekunden der neue Nullpunkt in der Transmitterelektronik gespeichert. Zur Kontrolle kann an einer Anzeigeeinheit (z. B. Strommessgerät) während dieser Zeit ein Stromanstieg in der Stromschleife auf 9,5 mA gemessen werden.

- Hilfsenergie und Anzeigeeinheit ausschalten.
- Die oben beschriebene „Demontage Kabeldose“ durchführen.
- Den Litzendraht zur Überbrückung der Klemmen 5 und 6 am Buchseneinsatz entfernen.
- Die oben beschriebene „Montage Kabeldose“ durchführen.

Das elektrische Ausgangssignal ist nun wieder deckungsgleich mit der Anzeige des mechanischen Zeigers.

Alle zur Nullpunkteinstellung geöffneten Ventile wieder schließen.

## 5. Störungen

Störungen	Ursachen	Maßnahmen
<b>Kein Eingangsdruck.</b>	Druckausgleichsventil geöffnet.	Druckausgleichsventil schließen.
<b>Kein Ausgangssignal.</b>	Hilfsenergie unzureichend oder Leitungsbruch.	Spannungsversorgung und Leitungen prüfen.
	Falsche Anschlussbelegung.	Anschlussbelegung prüfen.
	Defekte Transmitterelektronik durch Überspannung.	Gerät austauschen.
<b>Gleichbleibendes Ausgangssignal bei Druckänderung.</b>	Druckkanal am Prozessanschluss verstopft.	Druckkanal am Prozessanschluss reinigen.
	Hilfsenergie verpolt angeschlossen. ( $I = \text{ca. } 4,5 \text{ mA}$ ).	Anschlussbelegung prüfen.
	Defekte Transmitterelektronik	Gerät austauschen.
<b>Zu hohes, bei Druckänderung gleichbleibendes Ausgangssignal.</b>	Überbrückung der Klemmen 5 und 6 nicht entfernt ( $I = \text{ca. } 9,5 \text{ mA}$ ).	Überbrückung der Klemmen entfernen. Nullpunkt einstellen.
	Defekte Transmitterelektronik durch Überspannung.	Gerät austauschen.
<b>Signalspanne zu klein.</b>	Hilfsenergie unzureichend.	Spannungsversorgung und Leitungen prüfen.
	Bürde zu hoch.	Zulässige Bürde einhalten.
	Nullpunkt verstellt.	Nullpunkt einstellen.
<b>Nullpunktsignal zu klein oder zu groß.</b>	Nullpunkt verstellt.	Nullpunkt einstellen.
	Mechanische Überlastung	Gerät austauschen.

Für den Austausch des Gerätes die Kapitel 7 „Demontage, Rücksendung und Entsorgung“ und 4 „Inbetriebnahme, Betrieb“ beachten.

## 6. Wartung und Reinigung

## 6.1 Wartung

Die Geräte sind wartungsfrei.

Eine Überprüfung der Anzeige und der Schaltfunktion sollte etwa 1- bis 2-mal pro Jahr erfolgen. Dazu ist das Gerät vom Prozess zu trennen und mit einer Druckprüfvorrichtung zu kontrollieren.



### **WARNUNG!**

#### **Lebensgefahr durch unzulässiges Füllen des Gerätes mit Verlust des Explosionsschutzes**

Das Füllen von Geräten führt zum Verlust des Explosionsschutzes und kann zur Beschädigung des Gerätes führen.

- ▶ Bei notwendiger Rücksendung die Hinweise unter Kapitel 7.2 „Rücksendung“ beachten.

Reparaturen sind ausschließlich vom Hersteller durchzuführen.

### 6.2 Reinigung



### **VORSICHT!**

#### **Körperverletzungen, Sach- und Umweltschäden**

Eine unsachgemäße Reinigung führt zu Körperverletzungen, Sach- und Umweltschäden. Messstoffreste im ausgebauten Gerät können zur Gefährdung von Personen, Umwelt und Einrichtung führen.

- ▶ Reinigungsvorgang wie folgt beschrieben durchführen.

1. Vor der Reinigung das Gerät ordnungsgemäß von der Druckversorgung trennen, ausschalten und vom Netz trennen.
2. Notwendige Schutzausrüstung verwenden.
3. Das Gerät mit einem feuchten Tuch reinigen.  
Elektrische Anschlüsse nicht mit Feuchtigkeit in Berührung bringen!



### **VORSICHT!**

#### **Beschädigung des Gerätes**

Eine unsachgemäße Reinigung führt zur Beschädigung des Gerätes!

- ▶ Keine aggressiven Reinigungsmittel verwenden.
- ▶ Keine harten und spitzen Gegenstände zur Reinigung verwenden.

4. Ausgebautes Gerät spülen bzw. säubern, um Personen und Umwelt vor Gefährdung durch anhaftende Messstoffreste zu schützen.

## 7. Demontage, Rücksendung und Entsorgung



### **WARNUNG!**

#### **Körperverletzungen, Sach- und Umweltschäden durch Messstoffreste**

Messstoffreste im ausgebauten Gerät können zur Gefährdung von Personen, Umwelt und Einrichtung führen.

- ▶ Notwendige Schutzausrüstung tragen.
- ▶ Angaben im Sicherheitsdatenblatt für den entsprechenden Messstoff beachten.
- ▶ Ausgebautes Gerät spülen bzw. säubern, um Personen und Umwelt vor Gefährdung durch anhaftende Messstoffreste zu schützen.

### 7.1 Demontage



#### **GEFAHR!**

##### **Lebensgefahr durch elektrischen Strom**

Bei Berührung mit spannungsführenden Teilen besteht unmittelbare Lebensgefahr.

- ▶ Die Demontage des Gerätes darf nur durch Fachpersonal erfolgen.
- ▶ Gerät im stromlosen Zustand demontieren.



#### **WARNUNG!**

##### **Körperverletzung**

Bei der Demontage besteht Gefahr durch aggressive Messstoffe und hohe Drücke.

- ▶ Angaben im Sicherheitsdatenblatt für den entsprechenden Messstoff beachten.
- ▶ Gerät im drucklosen Zustand demontieren.

### 7.2 Rücksendung

#### **Beim Versand des Gerätes unbedingt beachten:**

Alle an WIKA gelieferten Geräte müssen frei von Gefahrstoffen (Säuren, Laugen, Lösungen, etc.) sein und sind daher vor der Rücksendung zu reinigen.



#### **WARNUNG!**

##### **Körperverletzungen, Sach- und Umweltschäden durch Messstoffreste Messstoffreste im ausgebauten Gerät können zur Gefährdung von Personen, Umwelt und Einrichtung führen.**

- ▶ Bei Gefahrstoffen das Sicherheitsdatenblatt für den entsprechenden Messstoff beilegen.
- ▶ Gerät reinigen, siehe Kapitel 7.2 „Reinigung“.

Zur Rücksendung des Gerätes die Originalverpackung oder eine geeignete Transportverpackung verwenden.



Hinweise zur Rücksendung befinden sich in der Rubrik „Service“ auf unserer lokalen Internetseite.

### 7.3 Entsorgung

Durch falsche Entsorgung können Gefahren für die Umwelt entstehen. Gerätekomponenten und Verpackungsmaterialien entsprechend den landesspezifischen Abfallbehandlungs- und Entsorgungsvorschriften umweltgerecht entsorgen.



Nicht mit dem Hausmüll entsorgen. Für eine geordnete Entsorgung gemäß nationaler Vorgaben sorgen.

## 8. Technische Daten

## 8.1 Zulässige Temperaturbereiche

## Nicht-Ex-Ausführung

## Typen 712.15.160 und 732.15.160 optional mit Typ 891.44

<b>Umgebung</b>	-40 ... +60 °C bei Sauerstoff -40 ... +80 °C
<b>Messstoff</b>	-40 ... +60 °C bei Sauerstoff -40 ... +80 °C

DE

## Ex-Ausführung

## Typen 712.15.160 und 732.15.160 mit Typ 892.44

<b>Umgebung</b>	-40 ... +60 °C für Temperaturklasse T6 und T5 -40 ... +80 °C für Temperaturklasse T4
<b>Messstoff</b>	-40 ... +60 °C bei Sauerstoff -40 ... +60 °C für Temperaturklasse T6 und T5 -40 ... +80 °C für Temperaturklasse T4

## 8.2 Differenzdruckmanometer

## Typen 712.15.160 und 732.15.160

<b>Nenngröße</b>	NG 160 (Füllstandsanzeige)
<b>Max. Betriebsdruck (statischer Druck)</b>	50 bar
<b>Überlastsicherheit</b>	ein-, beid- und wechselseitig bis 50 bar
<b>Schutzart</b>	IP65 nach EN/IEC 60529
<b>Prozessanschlüsse (messstoffberührt)</b>	2 x G 1/4 (Option: 2 x 1/4 NPT), Innengewinde, unten, Achsabstand 37 mm Option: Adapter für Prozessanschluss
<b>Messzellenflansche (messstoffberührt)</b>	Typ 712.15: Kupferlegierung CW614N (CuZn39Pb3) Typ 732.15: CrNi-Stahl 316L
<b>Messglieder (messstoffberührt)</b>	Druckfeder, CrNi-Stahl 1.4310 Trennmembrane, NBR Übertragungsteile, CrNi-Stahl 1.4301 und 1.4305
<b>Zeigerwerk</b>	Laufteile CrNi-Stahl
<b>Zifferblatt</b>	Aluminium weiß (siehe dazu Skalenausführungen)
<b>Zeiger</b>	Verstellzeiger, Aluminium schwarz
<b>Gehäuse / Überring</b>	CrNi-Stahl, mit Bajonettring
<b>Sichtscheibe</b>	Polycarbonat (PC)

## 8.3 Integrierte Transmitterelektronik (Option)

Technische Daten	Typen 891.44 und 892.44 (Ex-Ausführung)
Hilfsenergie $U_B$	<b>Nicht-Ex-Ausführung, Typ 891.44:</b> DC 12 V < $U_B$ ≤ 30 V <b>Ex-Ausführung, Typ 892.44:</b> DC 14 V < $U_B$ ≤ 30 V
Einfluss der Hilfsenergie	≤ 0,1 % v. Endwert/10 V
Zulässige Restwelligkeit	≤ 10 % ss
Ausgangssignal	4 ... 20 mA, 2-Leiter
Zulässige max. Bürde $R_A$	$R_A \leq (U_B - 12 \text{ V})/0,02 \text{ A}$ mit $R_A$ in $\Omega$ und $U_B$ in V, jedoch max. 600 $\Omega$
Bürdeneinfluss	≤ 0,1 % vom Endwert
<b>Einstellbarkeit</b>	
Elektrischer Nullpunkt	durch Überbrückung der Klemmen 5 und 6 oder bei Option BCD-Schalter über Taste <sup>1)</sup>
Skalenauswahl (Option)	4 Skalen über BCD-Schalter einstellbar
Kennlinienabweichung	≤ 1,0 % d. Spanne (Grenzpunkteinstellung)
Kompensierter Temperaturbereich	-40 ... +80 °C
<b>Temperaturkoeffizienten im kompensierten Temperaturbereich</b>	
Mittlerer TK-Nullpunkt	≤ 0,3 % d. Spanne/10 K
Mittlerer TK-Spanne	≤ 0,3 % d. Spanne/10 K
Elektrischer Anschluss	Kabeldose PA 6, schwarz Nach VDE 0110 Isolationsgruppe C/250 V Kabelverschraubung M20 x 1,5 Zugentlastung 6 Schraubklemmen + PE für Leiterquerschnitt 2,5 mm <sup>2</sup>
Elektrische Sicherheit	Verpolungs- und Überspannungsschutz
Schutzart	IP65 nach EN/IEC 60529
<b>Sicherheitstechnische Höchstwerte für Ex-Ausführung, Typ 892.44</b>	
Hilfsenergie $U_i$	DC 14 ... 30 V
Kurzschlussstrom $I_i$	≤ 100 mA
Leistung $P_i$	≤ 720 mW
Innere Kapazität $C_i$	≤ 17,5 nF
Innere Induktivität $L_i$	vernachlässigbar

1) Nur innerhalb von 30 Sekunden nach Anlegen der Spannungsversorgung möglich

# Sommaire

<b>1. Généralités</b>	<b>56</b>
<b>2. Sécurité</b>	<b>57</b>
2.1 Explication des symboles . . . . .	57
2.2 Utilisation conforme à l'usage prévu . . . . .	57
2.3 Utilisation inappropriée . . . . .	58
2.4 Responsabilité de l'opérateur . . . . .	58
2.5 Qualification du personnel . . . . .	59
2.6 Etiquetage, marquages de sécurité . . . . .	59
2.7 Version Ex . . . . .	60
2.8 Conditions spécifiques pour une utilisation sûre (conditions X) . . . . .	61
<b>3. Transport, emballage et stockage</b>	<b>61</b>
3.1 Transport . . . . .	61
3.2 Emballage et stockage . . . . .	61
<b>4. Mise en service, utilisation</b>	<b>62</b>
4.1 Montage mécanique . . . . .	63
4.2 Affichage de la pression différentielle . . . . .	65
4.3 Connecteurs enfichables interchangeables (en option) . . . . .	67
4.4 Manifold avec indication de la pression de service (option) . . . . .	67
4.5 Raccordement électrique . . . . .	70
4.6 Transmetteurs électroniques intégrés (en option) . . . . .	73
<b>5. Dysfonctionnements</b>	<b>76</b>
<b>6. Entretien et nettoyage</b>	<b>76</b>
6.1 Entretien . . . . .	76
6.2 Nettoyage . . . . .	77
<b>7. Démontage, retour et mise au rebut</b>	<b>77</b>
7.1 Démontage . . . . .	78
7.2 Retour . . . . .	78
7.3 Mise au rebut . . . . .	78
<b>8. Spécifications</b>	<b>79</b>
8.1 Plages de température admissibles . . . . .	79
8.2 Manomètre différentiel . . . . .	79
8.3 Transmetteurs électroniques intégrés (en option) . . . . .	80
<b>Annexe 1 : Configuration du raccordement pour contacts secs magnétiques</b>	<b>109</b>
<b>Annexe 2 : Déclaration de conformité UE</b>	<b>111</b>

Déclarations de conformité disponibles sur [www.wika.fr](http://www.wika.fr).

## 1. Généralités

- L'instrument décrit dans le mode d'emploi est conçu et fabriqué selon les dernières technologies en vigueur. Tous les composants sont soumis à des critères de qualité et d'environnement stricts durant la fabrication. Nos systèmes de gestion sont certifiés selon ISO 9001 et ISO 14001.
- Ce mode d'emploi donne des indications importantes concernant l'utilisation de l'instrument. Il est possible de travailler en toute sécurité avec ce produit en respectant toutes les consignes de sécurité et d'utilisation.
- Respecter les prescriptions locales de prévention contre les accidents et les prescriptions générales de sécurité en vigueur pour le domaine d'application de l'instrument.
- Le mode d'emploi fait partie de l'instrument et doit être conservé à proximité immédiate de l'instrument et accessible à tout moment pour le personnel qualifié.
- Le personnel qualifié doit, avant de commencer toute opération, avoir lu soigneusement et compris le mode d'emploi.
- La responsabilité du fabricant n'est pas engagée en cas de dommages provoqués par une utilisation non conforme à l'usage prévu, de non respect de ce mode d'emploi, d'utilisation de personnel peu qualifié de même qu'en cas de modifications de l'instrument effectuées par l'utilisateur.
- Les conditions générales de vente mentionnées dans les documents de vente s'appliquent.
- Sous réserve de modifications techniques.
- Pour obtenir d'autres informations :
  - Consulter notre site Internet : [www.wika.fr](http://www.wika.fr)
  - EN 837-2 Recommandations d'installation et de sélection pour les instruments de mesure de pression

Type	Version Ex	Description	Fiche technique
712.15.160, 732.15.160	Option	Manomètre différentiel	PM 07.30
891.44	Non	Transmetteurs électroniques intégrés (en option)	PM 07.30
892.44	Oui	Transmetteurs électroniques intégrés (en option)	PM 07.30
828	Non	Contact sec magnétique (option)	PM 07.30
212.20.100	Non	Manomètre pour indication de la pression de travail (option)	PM 02.01
232.50.100	Option	Manomètre pour indication de la pression de travail (option)	PM 02.02
232.30.100	Option	Manomètre pour indication de la pression de travail (option)	PM 02.04
A-10	Non	Capteur de pression pour la pression de service (en option)	PE 81.60
IS-3	Oui	Capteur de pression pour la pression de service (en option)	PE 81.58

En fonction de la version, respecter le mode d'emploi joint à la livraison !



## 2. Sécurité

## 2.1 Explication des symboles

**AVERTISSEMENT !**

... indique une situation présentant des risques susceptibles de provoquer la mort ou des blessures graves si elle n'est pas évitée.

**ATTENTION !**

... indique une situation potentiellement dangereuse et susceptible de provoquer de légères blessures ou des dommages matériels et pour l'environnement si elle n'est pas évitée.

**DANGER !**

... indique les dangers liés au courant électrique. Danger de blessures graves ou mortelles en cas de non respect des consignes de sécurité.

**AVERTISSEMENT !**

... indique une situation en zone explosive présentant des risques susceptibles de provoquer la mort ou des blessures graves si elle n'est pas évitée.

**AVERTISSEMENT !**

... indique une situation présentant des risques susceptibles de provoquer des brûlures dues à des surfaces ou liquides chauds si elle n'est pas évitée.

**Information**

... met en exergue des conseils et recommandations utiles de même que des informations permettant d'assurer un fonctionnement efficace et normal.

## 2.2 Utilisation conforme à l'usage prévu

Les instruments de mesure de pression différentielles mécaniques sont utilisés pour l'affichage de niveaux sur des cuves fermées, particulièrement dans le domaine de la cryotechnologie. En fonction de la version, le transmetteur électronique intégré peut être utilisé pour envoyer un signal électrique de contrôle. Un manifold installé en option facilite la mise en service et l'entretien de l'instrument. En option, la pression de service peut être mesurée en plus avec un manomètre ou un capteur de pression.

Cet instrument offre de nombreuses possibilités d'application, en particulier pour des fluides gazeux et liquides, ainsi que pour les fluides non agressifs, non hautement visqueux et non cristallisants.

Utiliser l'instrument uniquement dans des applications qui se trouvent dans les limites de ses performances techniques (par exemple limites de température, compatibilité de matériau, ...).

→ Pour les limites de performances, voir chapitre 8 "Spécifications"

Ces instruments sont conçus et construits exclusivement pour une utilisation conforme à l'usage prévu décrit ici, et ne doivent être utilisés qu'à cet effet.  
Aucune réclamation ne peut être recevable en cas d'utilisation non conforme à l'usage prévu.

### 2.3 Utilisation inappropriée



#### **AVERTISSEMENT !**

#### **Blessures à cause d'une utilisation inappropriée**

Une utilisation inappropriée peut conduire à des situations dangereuses et à des blessures.

- ▶ S'abstenir de modifications non autorisées sur l'instrument
- ▶ Ne pas utiliser l'instrument avec un fluide abrasif ou visqueux.

Toute utilisation différente ou au-delà de l'utilisation prévue est considérée comme inappropriée.

### 2.4 Responsabilité de l'opérateur

L'instrument est prévu pour un usage dans le domaine industriel. L'opérateur est de ce fait responsable des obligations légales en matière de sécurité du travail.

Les instructions de sécurité de ce mode d'emploi comme les réglementations liées à la sécurité, à la prévention des accidents et à la protection de l'environnement pour le domaine d'application doivent être respectées.

L'opérateur doit s'assurer que l'étiquette du produit reste lisible.

Afin de travailler en toute sécurité sur l'instrument, la société exploitante doit s'assurer

- qu'un équipement de premier secours adapté est disponible et que les premiers soins peuvent être dispensés sur place à tout moment en cas de besoin.
- que le personnel de service soit formé à intervalles réguliers sur tous les sujets concernant la sécurité du travail, les premiers secours et la protection de l'environnement et qu'il connaît le mode d'emploi et particulièrement les consignes de sécurité contenues dans celui-ci.
- que l'instrument est adapté à l'application en respect de l'usage prévu de l'instrument.
- qu'un équipement de protection individuelle est disponible.



Sur les parties en contact avec le fluide, de petites quantités résiduelles de fluide de réglage (par exemple air comprimé, eau, huile) peuvent adhérer, provenant de la production. Avec les exigences accrues concernant la propreté technique, l'opérateur doit vérifier l'aptitude pour l'application avant la mise en service.

### 2.5 Qualification du personnel



#### AVERTISSEMENT !

#### Danger de blessure en cas de qualification insuffisante !

Une utilisation non conforme peut entraîner d'importants dommages corporels et matériels.

Les opérations décrites dans ce mode d'emploi ne doivent être effectuées que par un personnel ayant la qualification décrite ci-après.

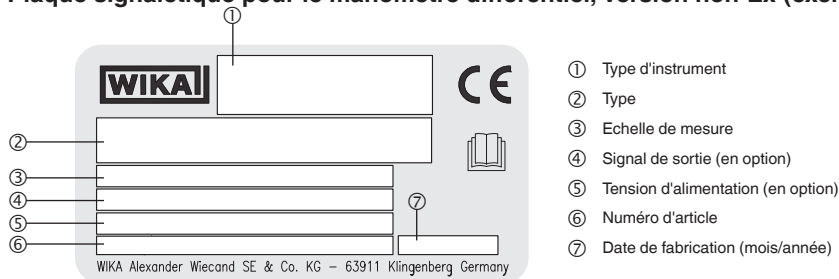
FR

#### Personnel qualifié

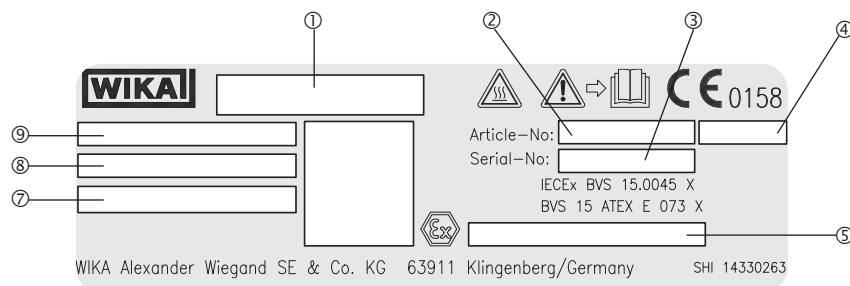
Le personnel qualifié est, en raison de sa formation spécialisée, de ses connaissances dans le domaine de la technique de mesure et de régulation et de ses expériences de même que de sa connaissance des prescriptions nationales, des normes et directives en vigueur, en mesure d'effectuer les travaux décrits et de reconnaître automatiquement les dangers potentiels.

### 2.6 Etiquetage, marquages de sécurité

#### Plaque signalétique pour le manomètre différentiel, version non-Ex (exemple)



#### Plaque signalétique pour le manomètre différentiel, version Ex (exemple)



- ① Type + électronique de transmetteur
- ② Numéro d'article
- ③ Numéro de série
- ④ Date de fabrication (mois/année)

- ⑤ Marquage Ex
- ⑥ Alimentation
- ⑦ Signal de sortie
- ⑧ Echelle de mesure



Lire impérativement le mode d'emploi avant le montage et la mise en service de l'instrument !



### **Danger de brûlure !**

Situation présentant des risques dus à des surfaces chaudes.



L'instrument qui porte ce marquage est un manomètre de sécurité avec cloison de sécurité en conformité avec EN 837, exécution de sécurité "S3".



Ne pas mettre au rebut avec les ordures ménagères. Assurer une mise au rebut correcte en conformité avec les réglementations nationales.

### 2.7 Version Ex

La version Ex des modèles 712.15.160 et 732.15.160 consiste exclusivement en un manomètre différentiel mécanique avec transmetteur électronique intégré, type 892.44.



### **DANGER !**

#### **Danger vital dû à la perte de la protection contre les explosions**

Le non respect de ces instructions et de leurs contenus peut entraîner une perte de la protection contre les explosions.

- ▶ Observer les instructions de sécurité de ce chapitre et les autres instructions liées à la protection contre les explosions de ce mode d'emploi.
- ▶ Respecter les indications de l'attestation d'examen de type valable de même que les prescriptions nationales respectives concernant le montage et l'utilisation en zone explosive (par exemple CEI 60079-14, NEC, CEC).

Contrôler que la classification est adaptée à l'application. Observer les réglementations nationales concernées.

### Marquage Ex

#### ATEX

#### IECEx

II 2G Ex ia IIC T4/T5/T6 Gb

### Plages de températures admissibles

Pour déterminer la température maximale sur l'instrument, outre la température du fluide, d'autres influences telles que la température ambiante et, le cas échéant, le rayonnement solaire doivent être prises en compte.

Classe de température requise (température d'ignition)	Plage de température admissible sur l'instrument
T6 et T5	-40 ... +60 °C
T4	-40 ... +80 °C

L'installation doit être faite de telle sorte que la plage de température de l'instrument, compte tenu également des effets de convection et de rayonnement thermique, ne dépasse ni ne tombe en-dessous des limites admissibles.

Les plages de température admissibles ne doivent pas être dépassées sur l'instrument. Si nécessaire, il faut prendre des mesures pour le refroidissement (par exemple siphon, soupape d'instrumentation).

### 2.8 Conditions spécifiques pour une utilisation sûre (conditions X)

1. Une utilisation sûre de l'instrument nécessite le respect de toutes les données présentes dans les chapitres de ce mode d'emploi, en particulier les données concernant la version Ex.
2. La version Ex de l'instrument peut être utilisée dans la **plage de température ambiante** suivante  $T_a$  :
  - 40 °C ≤  $T_a$  ≤ +60 °C pour classes de température T6 et T5
  - 40 °C ≤  $T_a$  ≤ +80 °C pour classe de température T4
3. La **plage de température de fluide  $T_m$**  admissible doit être respectée sur l'instrument :
  - 40 °C ≤  $T_m$  ≤ +60 °C pour oxygène
  - 40 °C ≤  $T_m$  ≤ +60 °C pour classes de température T6 et T5
  - 40 °C ≤  $T_m$  ≤ +80 °C pour classe de température T4

## 3. Transport, emballage et stockage

### 3.1 Transport

Vérifier s'il existe des dégâts sur l'instrument liés au transport.  
Communiquer immédiatement les dégâts constatés.



#### ATTENTION !

#### Dommages liés à un transport inapproprié

Un transport inapproprié peut donner lieu à des dommages importants.

- ▶ Lors du déchargement des colis à la livraison comme lors du transport des colis en interne après réception, il faut procéder avec soin et observer les consignes liées aux symboles figurant sur les emballages.
- ▶ Lors du transport en interne après réception, observer les instructions du chapitre 3.2 "Emballage et stockage".

### 3.2 Emballage et stockage

N'enlever l'emballage qu'avant le montage.

Conserver l'emballage, celui-ci offre, lors d'un transport, une protection optimale (par ex. changement de lieu d'utilisation, renvoi pour réparation).

#### Conditions admissibles sur le lieu de stockage :

Température de stockage : -20 ... +60 °C

#### Eviter les influences suivantes :

- Lumière solaire directe ou proximité d'objets chauds
- Vibrations mécaniques, chocs mécaniques (mouvements brusques en le posant)
- Suie, vapeur, poussière et gaz corrosifs
- Environnements dangereux, atmosphères inflammables

FR

Conserver l'instrument dans l'emballage original dans un endroit qui satisfait aux conditions susmentionnées.

## 4. Mise en service, utilisation

#### Personnel : personnel qualifié

Avant l'installation, la mise en service et le fonctionnement, assurez-vous que l'instrument approprié a été choisi en termes d'échelle de mesure, d'exécution et de conditions de mesure spécifiques.



#### **DANGER !**

##### **Danger d'explosion vital**

Le travail en atmosphère inflammable peut donner lieu à une explosion avec risque de mort.

- ▶ Réaliser les travaux d'installation uniquement en environnement non dangereux !



#### **AVERTISSEMENT !**

##### **Blessures physiques et dommages aux équipements et à l'environnement causés par un fluide dangereux**

Lors du contact avec un fluide dangereux (par exemple oxygène, acétylène, substances inflammables ou toxiques), un fluide nocif (par exemple corrosif, toxique, cancérigène, radioactif), il y a un danger de blessures physiques et de dommages aux équipements et à l'environnement.

En cas d'erreur, des fluides agressifs peuvent être présents à une température extrême et sous une pression élevée au niveau de l'instrument.

- ▶ Pour ces fluides, les codes et directives appropriés existants doivent être observés en plus des réglementations standards.
- ▶ Porter l'équipement de protection requis.



#### **AVERTISSEMENT !**

##### **Blessures physiques et dommages aux équipements et à l'environnement causés par un fluide qui s'échapperait sous haute pression**

Avec la pressurisation de l'instrument, si l'étanchéité du raccord process est insuffisante, des fluides sous haute pression peuvent s'échapper.

En raison de la haute énergie du fluide qui pourrait s'échapper en cas de défaillance, il existe un danger de blessures physiques et de dommages au matériel.

- ▶ L'étanchéité du raccord process doit être effectuée par des spécialistes et vérifiée pour voir s'il y a des fuites.

### Exigences relatives au point de montage

Si la conduite à l'instrument de mesure n'est pas suffisamment stable, il est recommandé de fixer l'instrument au moyen d'une potence de fixation appropriée. Les instruments doivent être protégés contre un encrassement important et contre les fluctuations de la température ambiante.

#### 4.1 Montage mécanique

L'installation du manomètre différentiel s'effectue d'après les recommandations d'installation pour les instruments de mesure conformément à la norme EN 837-2 /7.

- Avant l'installation, nettoyer les conduites de mesure en tapant et en soufflant ou en rinçant.
- Monter et utiliser les instruments de manière à ce qu'ils ne soient pas soumis à des vibrations  
Fixez-les au moyen de lignes de mesure rigides et/ou des 4 orifices de montage M8 dans la bride de mesure.
- Protégez les manomètres contre la contamination et les variations de température élevées.
- La température admissible pour le fluide/l'ambiance ne doit pas être dépassée.
- Monter le raccordement process conformément aux symboles apposés  $\oplus$  et  $\ominus$ .  
 $\oplus$  pression haute  $\Rightarrow$  pression basse ( $p_B$ )  
 $\ominus$  pression basse  $\Rightarrow$  pression de service/pression exercée par les niveaux sus-jacents ( $p_D$ )

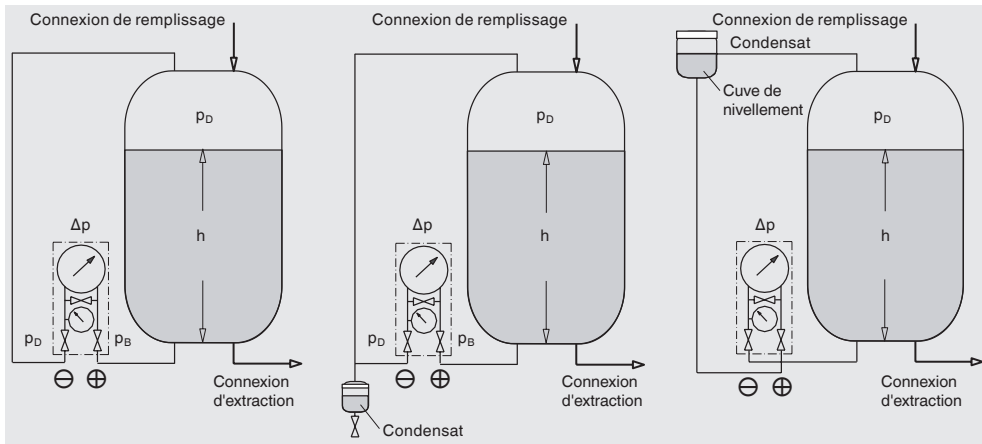
$$p_B = p_{FL} + p_D$$

(où  $p_{FL}$  = pression hydrostatique du liquide =  $r \cdot g \cdot h$ )

## Types d'installation pour la mesure de niveau

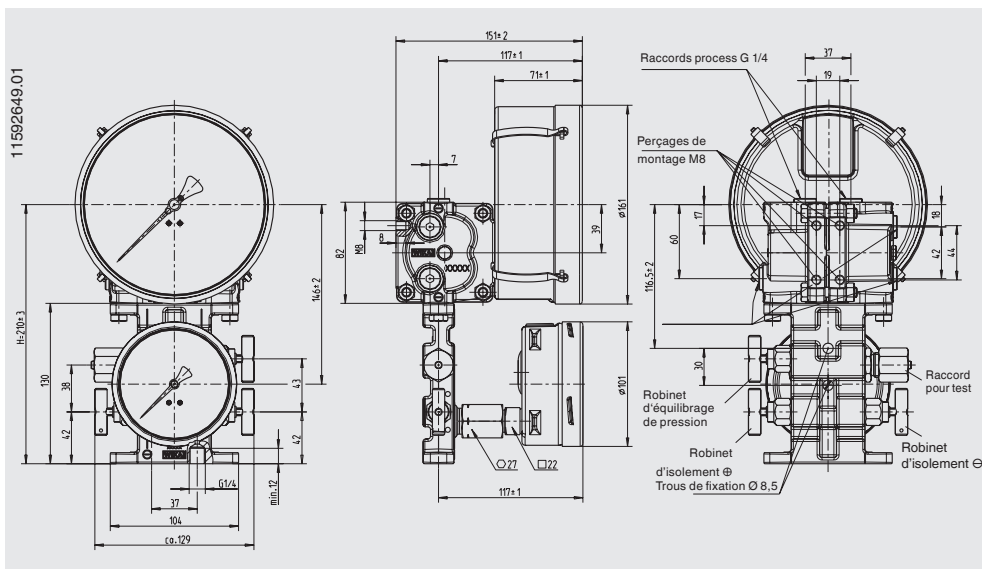
Standard pour réservoirs cryogéniques (gaz liquéfiés)

2 exemples de conteneurs avec cuve de condensation séparée



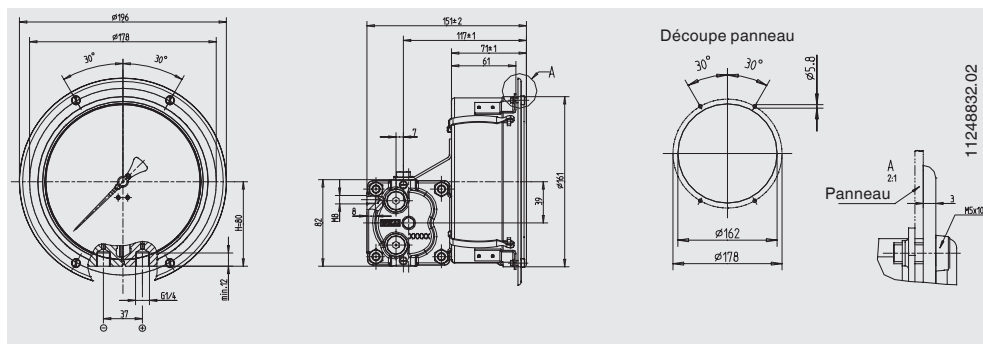
## Montage mural

Fixer sur 4 orifices de montage M8 ou au moyen de 2 orifices de fixation de 8,5 mm de diamètre





### Montage panneau (en option)



### 4.2 Affichage de la pression différentielle

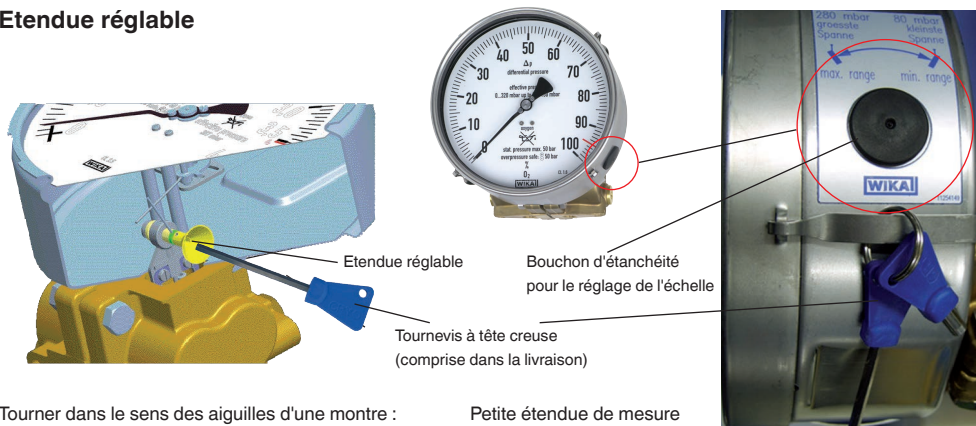
L'intervalle de mesure du manomètre différentiel peut, en fonction de l'élément de mesure, être réglé dans les limites d'étendue de mesure indiquées dans le tableau. Idéalement, ce réglage doit être effectué sur un banc de test, mais il peut néanmoins être réalisé au point de mesure à l'aide d'une pompe d'étalonnage manuelle.

#### Limites d'étendue de mesure

Cellule de mesure	Echelles de mesure réglables	
	de	à
140 mbar	0 ... 40 mbar	0 ... 140 mbar
280 mbar	0 ... 80 mbar	0 ... 280 mbar
560 mbar	0 ... 160 mbar	0 ... 560 mbar
1.130 mbar	0 ... 320 mbar	0 ... 1.130 mbar
2.300 mbar	0 ... 650 mbar	0 ... 2.300 mbar
4.000 mbar	0 ... 1.150 mbar	0 ... 4.000 mbar

### Etendue réglable

FR



Tourner dans le sens des aiguilles d'une montre :

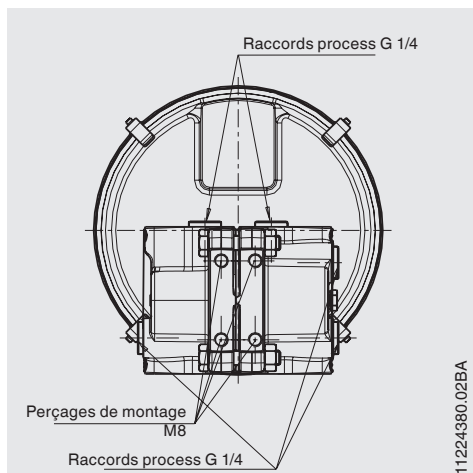
Petite étendue de mesure

Tourner dans le sens inverse des aiguilles d'une montre : Étendue de mesure plus grande

1. Le réglage de l'échelle, situé sur la circonférence du boîtier au point de 4 heures, est accessible en enlevant le bouchon d'étanchéité.
2. Pressuriser l'instrument à la pression nominale désirée.
3. Insérer un tournevis à tête creuse (SW 3 mm) dans le guidage en entonnoir et régler l'aiguille à la valeur pleine échelle en tournant dans le sens des aiguilles d'une montre (étendue de mesure plus faible) ou dans le sens inverse des aiguilles d'une montre (étendue de mesure plus élevée). L'instrument sera alors pleinement ajusté à l'étendue de mesure requise.
4. Si l'instrument est équipé d'un transmetteur de type 89x.44, alors cette procédure réglera aussi le signal de sortie sur la nouvelle étendue de mesure.
5. Après avoir effectué le réglage, l'instrument doit être refermé avec le bouchon d'étanchéité.

### Raccords process supplémentaires

- Trois filetages femelles supplémentaires G ¼ sur la chambre de fluide inférieure (élément de mesure de droite lorsque l'on regarde l'instrument depuis l'arrière), par exemple pour raccorder un pressostat, une soupape de sécurité ou un capteur de pression A-10 ou IS-3
- Deux filetages femelles G ¼ sur la chambre de fluide supérieure (élément de mesure de gauche lorsque l'on regarde l'instrument depuis l'arrière), par exemple pour un réétalonnage

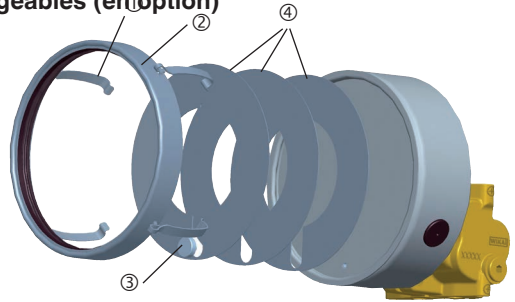


11224380.02BA

11265191.12.05/2021 EN/DE/FR/ES

### 4.3 Connecteurs enfichables interchangeables (en option)

1. Desserrer l'étrier de serrage sur le boîtier du manomètre différentiel et retirer la bague de recouvrement complète avec la lentille.
2. Dévisser et retirer la vis moletée.
3. Retirer les trois échelles, placer l'échelle désirée au-dessus et les remettre en place.
4. Insérer à nouveau la vis crantée et la serrer.
5. Monter à nouveau la bague de recouvrement, la lentille et les étriers de serrage.

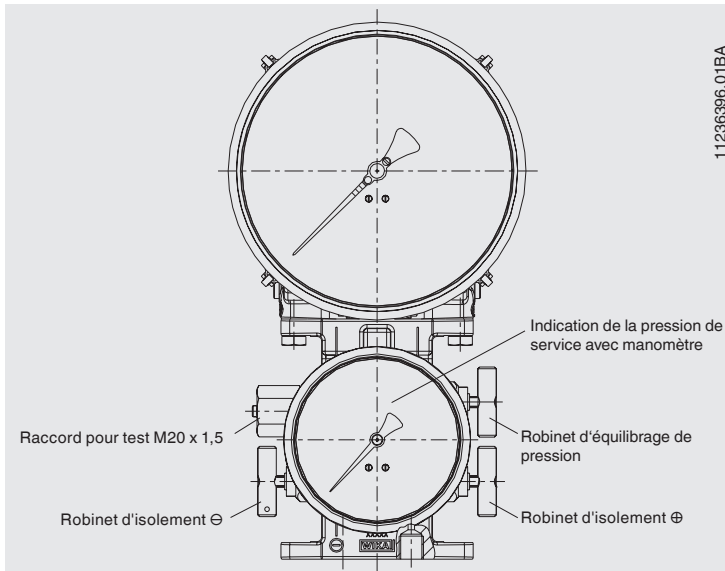


- ① Etrier de serrage
- ② Bague de recouvrement
- ③ Vis moletée
- ④ Echelles

FR

### 4.4 Manifold avec indication de la pression de service (option)

Une expansion avec un manifold compact avec manomètre raccordable par une bride permet, en plus de la détection de niveau, la mesure de la pression de service à un point de mesure central.



### Manomètre pour indication de la pression de travail (option)

Version non-Ex : type 212.20.100

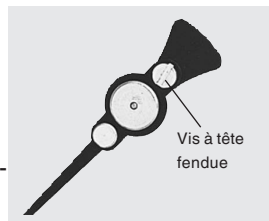
Version Ex : types 232.50.100, 232.30.100

### Fonctions de manifold

- Fermeture de la ligne de process sans interrompre les opérations :
  - Pour l'installation et l'essai de l'instrument
  - Pour protéger l'instrument contre toute surpression inadmissible de n fois la pression nominale de l'installation
- Protection de l'instrument contre les pics de pression et les chocs, et donc contre des conditions de fonctionnement non spécifiées
- Fermeture de l'instrument, par exemple, si les mesures sont seulement requises de manière sporadique sur des périodes de fonctionnement prolongées (pour augmenter la vie de service de l'instrument à une fréquence de changement de pression élevée)
- Réétalonnage du manomètre différentiel (affichage de niveau)
  1. Fermer les soupapes de fermeture côtés  $\oplus$  et  $\ominus$
  2. Ouvrir alors la soupape de compensation de pression, attendre un petit moment et refermer la soupape de compensation de pression
  3. L'étalon de pression et le générateur de pression sont reliés à la chambre supérieure du système de mesure via un filetage femelle G  $\frac{1}{4}$  supplémentaire.
  4. Sur le manifold, retirer la vis de connexion de test côté  $\ominus$
  5. Le côté supérieur peut maintenant être pressurisé
 

Après que le réglage ait été effectué :

    - Resserrer de nouveau la vis de connexion de test
    - Retirer à nouveau l'étalon de pression, le générateur de pression et le raccord d'étanchéité
    - Ouvrir lentement d'abord la soupape de fermeture  $\oplus$ , puis la soupape de fermeture  $\ominus$
- Raccord pour test M20 x 1,5 pour le contrôle de l'instrument de mesure concernant la pression de service. La soupape de compensation de pression permet un contrôle du point zéro pendant le fonctionnement (avec la soupape ouverte).
  1. Fermer les soupapes de fermeture côtés  $\oplus$  et  $\ominus$
  2. Ouvrir alors la soupape de compensation de pression
- Le fluide s'écoulera du côté haute pression vers le côté opposé, la pression différentielle sur l'instrument tombera à zéro (l'affichage de la pression différentielle doit être à zéro, c'est-à-dire dans la plage de tolérance zéro, ce qui indique que l'instrument fonctionne correctement).
- Dans le cas d'un écart, le point zéro peut être réglé au moyen de l'aiguille réglable installée en standard (avant cela, desserrer la lunette baïonnette et retirer le voyant et le joint d'étanchéité). Le réglage du point zéro est atteint en tournant la vis à fente de l'aiguille réglable. Après avoir effectué le réglage du point zéro, replacer la lunette baïonnette avec le voyant et le joint d'étanchéité et fermer la soupape de compensation de pression.
- Pour les versions avec transmetteurs électroniques intégrés, il faut régler le point zéro électrique.
  3. Refermer de nouveau la soupape de compensation de pression.
  4. Ouvrir lentement d'abord la soupape de fermeture  $\oplus$ , puis la soupape de fermeture  $\ominus$ .



### Adaptateur pour raccord process (en option)

Les adaptateurs peuvent être montés indifféremment directement sur le manomètre différentiel ou sur le manifold.

4 raccords process différents sont disponibles :

- 2 x G ½, femelle, distance au centre 31 mm ou 54 mm
- 2 x ¼ NPT, femelle, distance au centre 31 mm ou 54 mm



FR

En standard, toutes les pièces nécessaires au montage du manomètre différentiel ou du manifold sont incluses dans la livraison :

- 2 vis hexagonales M8 x 16
- 2 vis hexagonales M8 x 28
- 2 écrous M8
- 2 joints toriques

### 4.5 Raccordement électrique

Les travaux de raccordement électrique ne doivent être effectués que par des personnes qualifiées. L'instrument est à inclure dans la compensation de potentiel de l'installation.

#### Capteur de pression pour la pression de service (en option)

Version non-Ex : type A-10

Version Ex : type IS-3

Capteur de pression pour la pression de service



Les capteurs de pression pour la pression de service sont vissés sur le côté, sur le côté gauche de la chambre de fluide  $\ominus$  et peuvent, si nécessaire, être montés à posteriori sur site.

Raccord de pression du capteur de pression : G 1/4 mâle



Spécifications	A-10	IS-3
Fiche technique	PE 81.60	PE 81.58
Pour zone Ex	Non	Oui, sécurité intrinsèque
Etendues de mesure	0 ... 2,5 bar à 0 ... 60 bar	0 ... 2,5 bar à 0 ... 60 bar
Sorties	4 ... 20 mA	4 ... 20 mA (séparateur d'alimentation requis)
Température du fluide	-30 ... +100 °C	-20 ... +60 °C
Température ambiante	-30 ... +80 °C	-20 ... +60 °C
Parties en contact avec le fluide	Acier inox	Acier inox
Tension d'alimentation $U_B$	DC 10 V < $U_B$ ≤ 30 V	DC 10 V < $U_B$ ≤ 30 V
Charge maximale admissible $R_A$	$R_A \leq (U_B - 8 V) / 0,02 A$	$R_A \leq (U_B - 10 V) / 0,02 A$
Précision, méthode BFSL (Best fit straight line)	≤ 0,5 % de l'échelle	≤ 0,2 % de l'échelle
Plage de température compensée	0 ... +80 °C	0 ... +60 °C
Affectation des bornes de connexion, 2 fils		

Merci de respecter le mode d'emploi joint séparément pour chaque capteur de pression !

### Contacts secs magnétiques (en option)

Les contacts électriques pour les afficheurs de niveau et/ou de la pression de service ouvrent des circuits en fonction de la position de l'aiguille de l'instrument de mesure d'affichage.

#### Version

Contact sec magnétique simple et double, type 828

Le contact électrique modulaire est une unité complémentaire qui peut être placée sur le manomètre en quelques minutes. Les contacts électriques fournissent un indice de protection IP65. La liaison à l'aiguille de valeur réelle est assurée par l'intermédiaire d'une pièce spéciale qui rend superflue la présence d'une bielle au niveau de l'aiguille elle-même. Grâce à cette installation simple, l'instrument peut être transformé en un manomètre de contact très rapidement et à peu de frais.

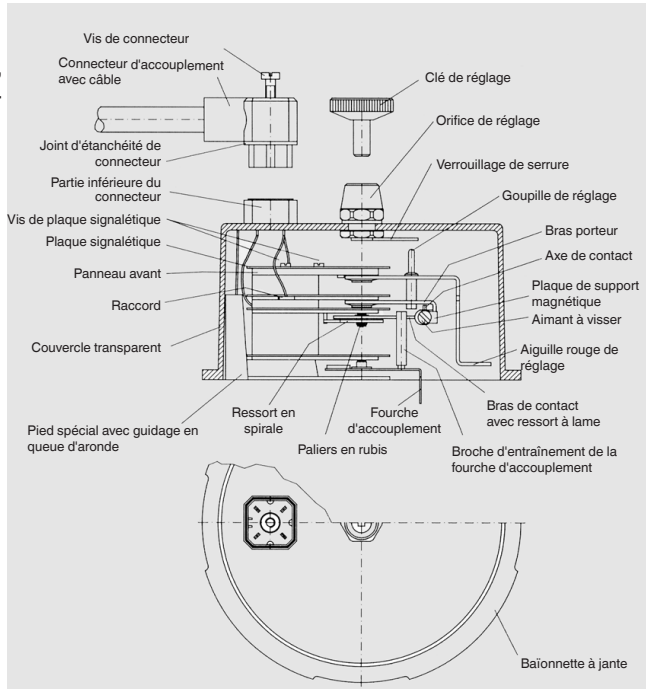
Les contacts électriques comprennent principalement :

- le contact électrique déjà câblé et équipé d'un pied spécial et d'un accouplement par fourche
- un couvercle transparent (polycarbonate) avec guide en queue d'aronde dans lequel le contact électrique contenant le pied spécial est inséré et fixé au moyen d'une vis cruciforme
- une partie inférieure du connecteur (4 broches) moulée ou soudée au couvercle transparent
- un blocage de réglage monté au centre du couvercle transparent

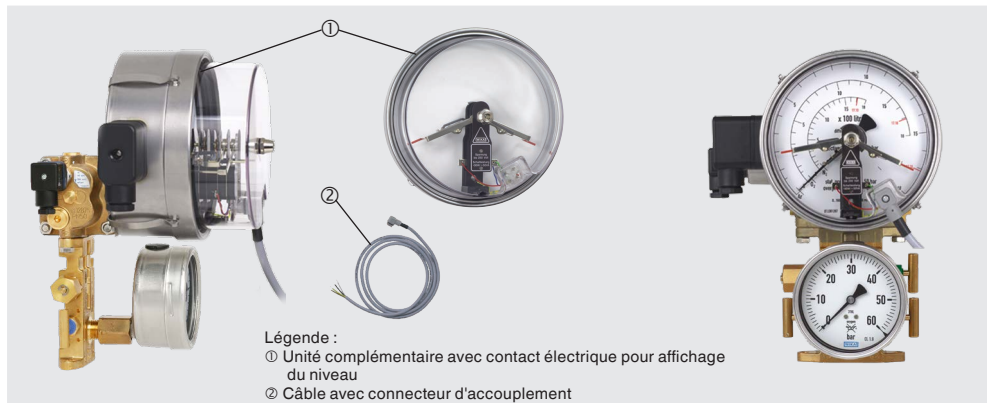
L'aiguille de réglage des contacts se règle, de l'extérieur, à la valeur à laquelle la commutation doit s'effectuer à l'aide d'un orifice de réglage et d'une clé intégrée ou séparée.

Les contacts électriques sont conçus pour permettre à l'aiguille de l'instrument de se déplacer au-delà de l'aiguille de valeur réelle réglée après l'actionnement du contact, le contact restant actionné.

Cette exécution garantit un statut de commutation stable correspondant à la position de l'aiguille de valeur réelle en cas de coupure de courant.



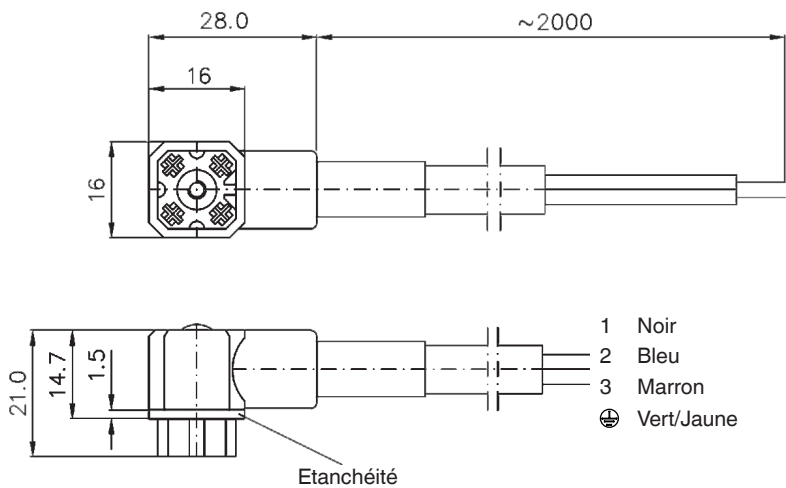
### Installation des contacts électriques



### Configuration du raccordement

Voir l'annexe 1 : "Configuration du raccordement pour contacts secs magnétique"

### Câble avec connecteur d'accouplement





### 4.6 Transmetteurs électroniques intégrés (en option)

Version non-Ex : type 891.44

Version Ex : type 892.44

Voir chapitre 8 "Spécifications"

Les manomètres de pression différentielle WIKA avec un transmetteur intégré type 89x.44 combinent tous les avantages d'un affichage mécanique sur site avec les exigences de l'industrie moderne pour une transmission électrique de signal pour l'acquisition des valeurs mesurées.

Le transmetteur électronique est intégré dans le boîtier de l'indicateur de niveau. L'intervalle de mesure (signal de sortie électrique) est ajusté automatiquement en même temps que l'affichage mécanique, c'est-à-dire que l'échelle sur 270 degrés angulaires correspond à 4 ... 20 mA (voir affichage de la pression différentielle).

#### Tension d'alimentation de la version non-Ex

Tension d'alimentation adéquate

Type KFA6-STR-1.24.500, 115/230 VAC, pour rail DIN, code de commande : 7305636

#### Tension d'alimentation de la version Ex

L'instrument ne devra être utilisé qu'avec un séparateur d'alimentation Ex correspondant.

Alimentations adéquates pour le séparateur d'alimentation Ex :

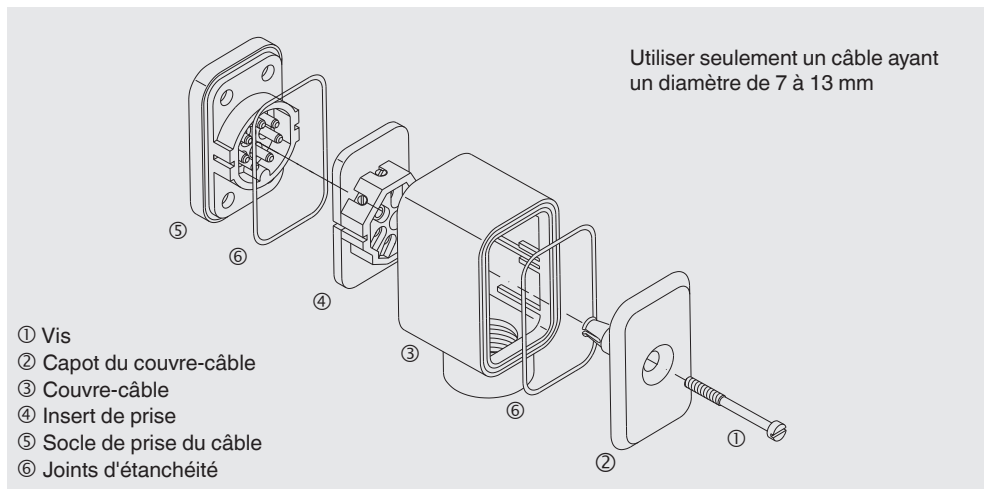
- Type KFD2-STC4-Ex1, 20 ... 35 VDC, pour rail DIN, code de commande : 2341268
- Type IS Barrier, 19,2 ... 30 VDC, pour rail DIN, code de commande : 14117118

#### Consignes de sécurité pour l'installation

- Installer les instruments conformément aux instructions du fabricant et aux normes et réglementations en vigueur.
- Ne raccorder que des circuits ayant la même tension et le même type de protection aux câbles de raccordement de l'instrument.
- Déterminer la taille des câbles de raccordement pour la plus grande intensité de courant électrique dans les circuits et s'assurer que la résistance aux rayons UV et aux contraintes mécaniques soit suffisante.
- Pour les câbles de raccordement flexibles, utiliser des embouts isolés. Section de conducteur max. admissible 1,5 mm<sup>2</sup>.
- Les câbles de raccordement doivent être conformes à la plage de température ambiante de l'application.
- Les câbles de raccordement doivent également être adaptés au presse-étoupe fourni (gamme de diamètres voir ci-dessous).
- Sceller l'entrée de câble avec les presse-étoupes homologués adéquats.
- Installer les câbles de raccordement en toute sécurité.

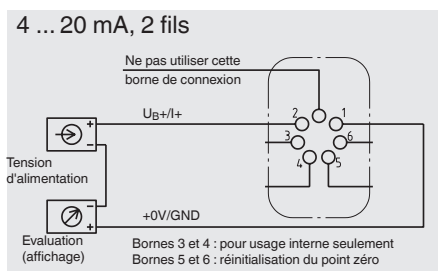
### Démontage du boîtier de raccordement

Le boîtier de raccordement est pré-installé et doit être démonté comme décrit ci-dessous.



- Desserrer complètement les vis du capot du couvre-câble avec un tournevis à fente (0,6 x 3,5 mm) et les retirer.
- Retirer le couvre-câble, avec l'insert de prise, à partir de la base de prise du câble (jointe en permanence à l'instrument).
- Retirer le capot du couvre-câble et pousser l'insert de prise complètement vers l'extérieur, vers le bas, à travers le couvre-câble.

### Configuration du boîtier de raccordement

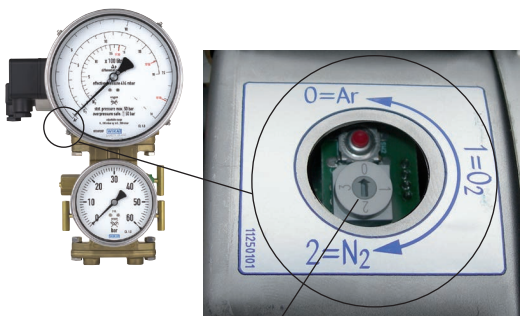


Avec des **échelles multiples** ou des connecteurs enfichables interchangeables (en option), le signal de sortie de 4 ... 20 mA correspondant à chaque échelle peut être sauvegardé dans un microprocesseur.

Le signal de sortie peut être changé pour convenir au type de fluide souhaité en tournant le **commutateur BCD** (en option, accessible par un bouchon de protection sur le côté gauche du boîtier) au moyen d'un tournevis.

### Point zéro électrique avec option de commutateur BCD

Si un réglage du point zéro est nécessaire, (par exemple après une correction mécanique du point zéro), commencer par mettre l'instrument hors tension (débrancher le connecteur). Rétablir ensuite la tension d'alimentation (insérer le connecteur) et appuyer sur le bouton-poussoir du point zéro pendant environ 1 à 30 secondes.



Commutateur BCD (commutateur de sélection d'échelle) et touche de point zéro (bouchon d'étanchéité retiré)

### Point zéro électrique sans option de commutateur BCD

Si le point zéro mécanique a été modifié au moyen de l'aiguille réglable, le point zéro électrique doit être adapté au point zéro mécanique. Pour cela, il faut appliquer la valeur de pression correspondant au début de l'échelle. Le début de l'échelle correspond au signal électrique le plus faible.

Avec une petite partie de fil torsadé (résistance maximale admissible 30  $\Omega$ ), dénudé aux deux extrémités, ponter les contacts 5 et 6 sur l'insert de prise.

### Installation du boîtier de raccordement

- Relier l'insert de boîtier au couvercle de câble et assembler le couvre-câble avec le joint d'étanchéité et la vis (voir le dessin de la prise câble).
- Insérer l'assemblage qui vient d'être monté sur la plaque de base du boîtier de raccordement avec un joint d'étanchéité.
- Visser à fond les vis du capot du couvre-câble avec un tournevis à fente (0,6 x 3,5 mm).



Pour que l'indice de protection soit maintenu, les joints d'étanchéité doivent être remontés.

Après avoir mis en route la tension d'alimentation, le nouveau point zéro sera sauvegardé dans le transmetteur électronique sous 30 secondes maximum. Afin de vérifier, une augmentation de courant jusqu'à 9,5 mA peut être mesurée pendant ce temps dans la boucle de courant sur une unité d'affichage (par exemple un ampèremètre).

- Eteindre la tension d'alimentation et l'unité d'affichage.
- Effectuer le "Démontage du boîtier de raccordement" décrit plus haut.
- Retirer le fil torsadé pour ponter les bornes 5 et 6 de l'insert de boîtier.
- Effectuer le "Montage du boîtier de raccordement" décrit plus haut.

Le signal de sortie électrique correspondra de nouveau avec l'affichage de l'aiguille mécanique. Refermer toutes les soupapes ouvertes pour le réglage du point zéro.

## 5. Dysfonctionnements

Dysfonctionnements	Raisons	Mesures
<b>Aucune pression d'entrée.</b>	Vanne de compensation de pression ouverte.	Fermer la vanne de compensation de pression.
<b>Pas de signal de sortie.</b>	Tension d'alimentation insuffisante ou rupture de câble.	Vérifier la tension d'alimentation et les câbles.
	Mauvaise configuration du raccordement.	Vérifier la configuration du raccordement.
	Transmetteur électronique défectueux à cause d'une surtension.	Remplacer l'instrument.
<b>Signal de sortie constant après une variation de pression</b>	Port de pression bloqué au raccord process.	Nettoyer le port de pression au raccord process.
	Tension d'alimentation mal branchée. (I = environ 4,5 mA).	Vérifier la configuration du raccordement.
	Transmetteur électronique défectueux	Remplacer l'instrument.
<b>Signal de sortie trop haut et constant après une variation de pression.</b>	Le pontage sur les bornes 5 et 6 n'a pas été retiré (I = environ 9,5 mA).	Retirer le pontage de bornes. Régler le point zéro.
	Transmetteur électronique défectueux à cause d'une surtension.	Remplacer l'instrument.
<b>Echelle de signaux trop petite.</b>	Tension d'alimentation insuffisante.	Vérifier la tension d'alimentation et les câbles.
	Charge trop élevée.	Maintenir la charge admissible.
	Point zéro mal ajusté.	Régler le point zéro.
<b>Signal de point zéro trop bas ou trop élevé.</b>	Point zéro mal ajusté.	Régler le point zéro.
	Surcharge mécanique	Remplacer l'instrument.

Pour le remplacement de l'instrument, observer les dispositions des chapitres 7 "Démontage, retour et mise au rebut" et 4 "Mise en service, utilisation".

## 6. Entretien et nettoyage

## 6.1 Entretien

Les instruments ne requièrent aucun entretien.

Un contrôle de l'affichage et de la fonction de commutation est recommandé 1 à 2 fois/an.

Pour contrôler l'affichage et la fonction de commutation, l'appareil doit être isolé du processus de mesure et contrôlé à l'aide d'un dispositif de contrôle de la pression.

**AVERTISSEMENT !****Danger de mort dû au remplissage ou au re-remplissage non autorisés de l'instrument avec perte de la protection contre les explosions**

Le remplissage d'instruments conduit à une perte de la protection contre les explosions et peut provoquer des dommages sur l'instrument.

- ▶ S'il est nécessaire de retourner l'instrument au fabricant, respecter les indications mentionnées au chapitre 7.2 "Retour".

Les réparations ne doivent être effectuées que par le fabricant.

**6.2 Nettoyage****ATTENTION !****Blessures physiques, dommages aux équipements et à l'environnement**

Un nettoyage inapproprié peut conduire à des blessures physiques et à des dommages aux équipements ou à l'environnement. Les restes de fluides se trouvant dans les instruments démontés peuvent mettre en danger les personnes, l'environnement ainsi que l'installation.

- ▶ Effectuer la procédure de nettoyage comme décrit ci-dessous.

1. Avant le nettoyage, débrancher correctement l'instrument de l'alimentation, l'éteindre et le déconnecter du secteur.
2. Utiliser l'équipement de protection requis.
3. Nettoyer l'instrument avec un chiffon humide.  
Eviter tout contact des raccords électriques avec l'humidité !

**ATTENTION !****Dommages à l'instrument**

Un nettoyage inapproprié peut endommager l'instrument !

- ▶ Ne pas utiliser de détergents agressifs.
- ▶ Ne pas utiliser d'objets pointus ou durs pour le nettoyage.

4. Laver et décontaminer l'instrument démonté afin de protéger les personnes et l'environnement contre le danger lié aux résidus de fluides.

**7. Démontage, retour et mise au rebut****AVERTISSEMENT !****Blessures physiques et dommages aux équipements et à l'environnement liés aux résidus de fluides**

Les restes de fluides se trouvant dans les instruments démontés peuvent mettre en danger les personnes, l'environnement ainsi que l'installation.

- ▶ Porter l'équipement de protection requis.
- ▶ Observer les informations de la fiche de données de sécurité du fluide correspondant.
- ▶ Laver et décontaminer l'instrument démonté afin de protéger les personnes et l'environnement contre le danger lié aux résidus de fluides.

### 7.1 Démontage



#### **DANGER !**

##### **Danger vital à cause du courant électrique**

Lors du contact avec des parties sous tension, il y a un danger vital direct.

- ▶ Le démontage de l'instrument ne doit être effectué que par du personnel qualifié.
- ▶ Retirer l'instrument une fois que le système a été isolé des sources d'énergie.



#### **AVERTISSEMENT !**

##### **Blessure physique**

Lors du démontage, le danger peut provenir de fluides agressifs et de pressions élevées.

- ▶ Observer les informations de la fiche de données de sécurité du fluide correspondant.
- ▶ Démontez l'instrument hors pression.

### 7.2 Retour

#### **En cas d'envoi de l'instrument, il faut respecter impérativement ceci :**

Tous les instruments livrés à WIKA doivent être exempts de substances dangereuses (acides, bases, solutions, etc.) et doivent donc être nettoyés avant d'être retournés.



#### **AVERTISSEMENT !**

##### **Blessures physiques et dommages aux équipements et à l'environnement liés aux résidus de fluides**

**Les restes de fluides se trouvant dans les instruments démontés peuvent mettre en danger les personnes, l'environnement ainsi que l'installation.**

- ▶ Avec les substances dangereuses, inclure la fiche technique de sécurité de matériau pour le fluide correspondant.
- ▶ Nettoyer l'instrument, voir chapitre 7.2 "Nettoyage".

Pour retourner l'instrument, utiliser l'emballage original ou un emballage adapté pour le transport.



Des informations relatives à la procédure de retour sont disponibles sur notre site Internet à la rubrique "Services".

### 7.3 Mise au rebut

Une mise au rebut inadéquate peut entraîner des dangers pour l'environnement. Éliminer les composants des instruments et les matériaux d'emballage conformément aux prescriptions nationales pour le traitement et l'élimination des déchets et aux lois de protection de l'environnement en vigueur.



Ne pas mettre au rebut avec les ordures ménagères. Assurer une mise au rebut correcte en conformité avec les réglementations nationales.

## 8. Spécifications

## 8.1 Plages de température admissibles

## Version Non-Ex

## Types 712.15.160 et 732.15.160 en option avec type 891.44

<b>Ambiante</b>	-40 ... +60 °C avec oxygène -40 ... +80 °C
<b>Fluide</b>	-40 ... +60 °C avec oxygène -40 ... +80 °C

FR

## Version Ex

## Types 712.15.160 et 732.15.160 avec type 892.44

<b>Ambiante</b>	-40 ... +60 °C pour classes de température T6 et T5 -40 ... +80 °C pour classe de température T4
<b>Fluide</b>	-40 ... +60 °C avec oxygène -40 ... +60 °C pour classes de température T6 et T5 -40 ... +80 °C pour classe de température T4

## 8.2 Manomètre différentiel

## Types 712.15.160 et 732.15.160

<b>Diamètre</b>	Diam. 160 (indication de niveau)
<b>Pression statique maxi</b>	50 bar
<b>Surpression admissible</b>	jusqu'à 50 bar de chaque côté
<b>Indice de protection</b>	IP65 selon EN/CEI 60529
<b>Raccordement process (contact avec fluide)</b>	2 x G 1/4 (en option : 2 x 1/4 NPT), femelle, raccord vertical, distance au centre 37 mm Option : Adaptateur pour raccord process
<b>Brides cellule de mesure (contact avec fluide)</b>	Type 712.15 : alliage de cuivre CW614N (CuZn39Pb3) Type 732.15 : acier inox 316L
<b>Organe moteur (contact avec le fluide)</b>	Ressort de compression, acier inox 1.4310
	Membrane de séparation, NBR
	Liaisons, acier inox, acier inox 1.4301 et 1.4305
<b>Mouvement</b>	Pièces d'usure en acier inox
<b>Cadran</b>	Aluminium blanc (voir chapitre "Exécution des échelles")
<b>Aiguille</b>	Aiguille réglable, aluminium, noir
<b>Boîtier / lunette</b>	Acier inox, avec lunette baïonnette
<b>Voyant</b>	Polycarbonate (PC)

## 8.3 Transmetteurs électroniques intégrés (en option)

Spécifications	Types 891.44 et 892.44 (version Ex)
Tension d'alimentation $U_B$	Version non-Ex, type 891.44 : $12 \text{ VDC} < U_B \leq 30 \text{ V}$ Version Ex, type 892.44 : $14 \text{ VDC} < U_B \leq 30 \text{ V}$
Influence de la tension d'alimentation	$\leq 0,1 \%$ de la pleine échelle/10 V
Ondulation résiduelle admissible	$\leq 10 \%$ ss
Signal de sortie	4 ... 20 mA, 2 fils
Charge maximale admissible $R_A$	$R_A \leq (U_B - 12 \text{ V})/0,02 \text{ A}$ avec $R_A$ en $\Omega$ et $U_B$ en V, quoi qu'il en soit max. 600 $\Omega$
Effet de charge	$\leq 0,1 \%$ de la pleine échelle
<b>Capacité de réglage</b>	
Point zéro électrique	en pontant les bornes 5 et 6 ou avec l'option de commutateur BCD via la clé <sup>1)</sup>
Sélection de l'échelle (en option)	4 échelles à sélectionner par commutateur BCD
Erreur linéaire	$\leq 1,0 \%$ de l'échelle (méthode des bornes)
Plage de température compensée	-40 ... +80 °C
<b>Coefficients de température sur la plage de température compensée</b>	
Coeff. de temp.moyen du point zéro	$\leq 0,3 \%$ de l'échelle/10 K
Coefficient de température moyen pleine échelle	$\leq 0,3 \%$ de l'échelle/10 K
Raccordement électrique	Boîtier de raccordement, PA 6, noir Selon groupe d'isolation VDE 0110 C/250 V Presse-étoupe M20 x 1,5 Réducteur de traction 6 bornes à vis + PE pour section transversale du conducteur de 2,5 mm <sup>2</sup>
Sécurité électrique	protégé contre les inversions de polarité et les surtensions
Indice de protection	IP65 selon EN/CEI 60529
<b>Valeurs maximales relatives à la sécurité pour la version Ex, type 892.44</b>	
Tension d'alimentation $U_i$	14 ... 30 VDC
Courant de court-circuit $I_i$	$\leq 100 \text{ mA}$
Puissance $P_i$	$\leq 720 \text{ mW}$
Capacité interne $C_i$	$\leq 17,5 \text{ nF}$
Conductivité interne $L_i$	négligeable

1) Seulement possible dans les 30 secondes après le branchement de la tension d'alimentation



# Contenido

<b>1. Información general</b>	<b>82</b>
<b>2. Seguridad</b>	<b>83</b>
2.1 Explicación de símbolos . . . . .	83
2.2 Uso conforme a lo previsto . . . . .	83
2.3 Uso incorrecto . . . . .	84
2.4 Responsabilidad del usuario . . . . .	84
2.5 Cualificación del personal . . . . .	85
2.6 Rótulos, marcajes de seguridad . . . . .	85
2.7 Versión Ex . . . . .	86
2.8 Condiciones especiales para un uso seguro (X-Conditions) . . . . .	87
<b>3. Transporte, embalaje y almacenamiento</b>	<b>87</b>
3.1 Transporte . . . . .	87
3.2 Embalaje y almacenamiento . . . . .	87
<b>4. Puesta en servicio, funcionamiento</b>	<b>88</b>
4.1 Montaje mecánico . . . . .	89
4.2 Indicador de presión diferencial . . . . .	91
4.3 Escalas intercambiables extraíbles (opcional) . . . . .	93
4.4 Manifold con indicador de presión de trabajo (opción) . . . . .	93
4.5 Conexión eléctrica . . . . .	96
4.6 Componentes electrónicos de transmisores integrados (opcional) . . . . .	99
<b>5. Errores</b>	<b>102</b>
<b>6. Mantenimiento y limpieza</b>	<b>102</b>
6.1 Mantenimiento . . . . .	102
6.2 Limpieza . . . . .	103
<b>7. Desmontaje, devolución y eliminación de residuos</b>	<b>103</b>
7.1 Desmontaje . . . . .	104
7.2 Devolución . . . . .	104
7.3 Eliminación de residuos . . . . .	104
<b>8. Datos técnicos</b>	<b>105</b>
8.1 Rangos de temperatura admisibles . . . . .	105
8.2 Manómetro diferencial . . . . .	105
8.3 Componentes electrónicos de transmisores integrados (opcional) . . . . .	106
<b>Anexo 1: Detalles del conexionado para contactos magnéticos de ruptura brusca</b>	<b>110</b>
<b>Anexo 2: Declaración de conformidad UE</b>	<b>111</b>

Declaraciones de conformidad puede encontrar en [www.wika.es](http://www.wika.es).

## 1. Información general

- El instrumento descrito en el manual de instrucciones está construido y fabricado según el estado actual de la técnica. Todos los componentes están sometidos durante su fabricación a estrictos criterios de calidad y medioambientales. Nuestros sistemas de gestión están certificados según ISO 9001 e ISO 14001.
- Este manual de instrucciones proporciona indicaciones importantes acerca del manejo del instrumento. Para un trabajo seguro, es imprescindible cumplir con todas las instrucciones de seguridad y manejo indicadas.
- Cumplir siempre las normativas sobre la prevención de accidentes y las normas de seguridad en vigor en el lugar de utilización del instrumento.
- El manual de instrucciones es una parte integrante del instrumento y debe guardarse en la proximidad del mismo para que el personal especializado pueda consultarlo en cualquier momento.
- El personal especializado debe haber leído y entendido el manual de instrucciones antes de comenzar cualquier trabajo.
- El fabricante queda exento de cualquier responsabilidad en caso de daños causados por un uso no conforme a la finalidad prevista, la inobservancia del presente manual de instrucciones, un manejo por personal insuficientemente cualificado así como una modificación no autorizada del instrumento.
- Se aplican las condiciones generales de venta incluidas en la documentación de venta.
- Modificaciones técnicas reservadas.
- Para obtener más información consultar:
  - Página web: [www.wika.es](http://www.wika.es) / [www.wika.com](http://www.wika.com)
  - EN 837-2 Recomendaciones relativas a la selección y montaje de manómetros

Modelo	Versión Ex	Descripción	Hoja técnica
712.15.160, 732.15.160	Opción	Manómetro diferencial	PM 07.30
891.44	No	Componentes electrónicos de transmisores integrados (opcional)	PM 07.30
892.44	Sí	Componentes electrónicos de transmisores integrados (opcional)	PM 07.30
828	No	Contacto magnético de ruptura brusca (opción)	PM 07.30
212.20.100	No	Indicador de presión de trabajo (opcional)	PM 02.01
232.50.100	Opción	Indicador de presión de trabajo (opcional)	PM 02.02
232.30.100	Opción	Indicador de presión de trabajo (opcional)	PM 02.04
A-10	No	Sensor de presión para presión de trabajo (opcional)	PE 81.60
IS-3	Sí	Sensor de presión para presión de trabajo (opcional)	PE 81.58

¡Según versión, tener en cuenta las instrucciones de servicio adicionales adjuntas!

### 2. Seguridad

#### 2.1 Explicación de símbolos



##### ¡ADVERTENCIA!

... señala una situación probablemente peligrosa que puede causar la muerte o lesiones graves si no se evita.



##### ¡CUIDADO!

... señala una situación probablemente peligrosa que puede causar lesiones leves o medianas o daños materiales y del medio ambiente si no se evita.



##### ¡PELIGRO!

... identifica los peligros causados por la corriente eléctrica. Existe riesgo de lesiones graves o mortales si no se observan estas indicaciones de seguridad.



##### ¡ADVERTENCIA!

... indica una situación probablemente peligrosa en una zona potencialmente explosiva que causa la muerte o lesiones graves si no se evita.



##### ¡ADVERTENCIA!

... señala una situación de peligro que puede provocar quemaduras causadas por superficies o líquidos calientes si no se evita.



##### Información

... destaca consejos y recomendaciones útiles así como informaciones para una utilización eficiente y libre de errores.

#### 2.2 Uso conforme a lo previsto

Los manómetros diferenciales mecánicos se utilizan para indicar los niveles en depósitos cerrados, especialmente en aplicaciones criogénicas. Dependiendo de la versión, se puede utilizar componentes electrónicos integrados de transmisión para emitir una señal de salida eléctrica del nivel para control o regulación. El manifold, opcionalmente acoplado, facilita la puesta en marcha y el mantenimiento del dispositivo. La presión de servicio puede medirse con un manómetro o con un sensor de presión.

El instrumento ofrece numerosas opciones, particularmente para medios gaseosos y líquidos, también no agresivos, de baja viscosidad y no cristalizantes.

Utilizar el instrumento únicamente en aplicaciones que están dentro de sus límites de rendimiento técnicos (por ej. límites de temperatura, compatibilidad de materiales, ...).

→ Para límites de rendimiento véase el capítulo 8 "Datos técnicos".

El instrumento ha sido diseñado y construido únicamente para la finalidad aquí descrita y debe utilizarse en conformidad a la misma.

No se admite ninguna reclamación debido a un manejo no adecuado.

### 2.3 Uso incorrecto

ES



#### ¡ADVERTENCIA!

#### Lesiones por uso incorrecto

El uso incorrecto del dispositivo puede causar lesiones graves o la muerte.

- ▶ Abstenerse de realizar modificaciones no autorizadas del dispositivo.
- ▶ No utilizar el instrumento para medios abrasivos ni viscosos.

Cualquier uso que no sea el previsto para este dispositivo es considerado como uso incorrecto.

### 2.4 Responsabilidad del usuario

El dispositivo se utiliza en el sector industrial. Por lo tanto, el usuario está sujeto a las responsabilidades legales para la seguridad en el trabajo.

Se debe cumplir con las notas de seguridad en este manual de instrucciones, así como la validez de las normas de seguridad de la unidad, de prevención de accidentes y protección del medio ambiente.

El usuario está obligado a mantener la placa de identificación bien legible.

Para realizar un trabajo seguro en el instrumento el usuario ha de asegurarse de que,

- esté disponible un kit de primeros auxilios que siempre esté presente y ayuda en caso necesario.
- los operadores reciban periódicamente instrucciones, sobre todos los temas referidos a seguridad de trabajo, primeros auxilios y protección del medio ambiente, y conozcan además el manual de instrucciones y en particular las instrucciones de seguridad del mismo.
- el instrumento sea adecuado de acuerdo con el uso previsto para la aplicación.
- que el equipo de protección personal esté disponible.



Pequeñas cantidades del medio de ajuste (p. ej. aire comprimido, agua, aceite) pueden adherirse a las partes del equipo en contacto con el medio. En caso de que aumenten los requisitos técnicos de limpieza, el operador debe comprobar la idoneidad para la aplicación antes de la puesta en servicio.

### 2.5 Cualificación del personal



#### ¡ADVERTENCIA!

#### ¡Riesgo de lesiones debido a una insuficiente cualificación!

Un manejo no adecuado puede causar considerables daños personales y materiales.

Las actividades descritas en este manual de instrucciones deben realizarse únicamente por personal especializado con la consiguiente cualificación.

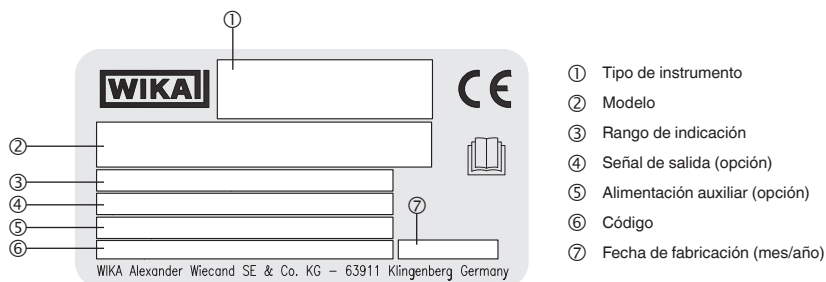
ES

#### Personal especializado

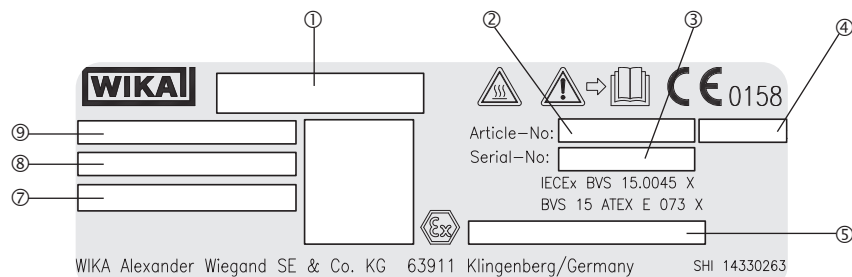
Debido a su formación profesional, a sus conocimientos de la técnica de regulación y medición así como a su experiencia y su conocimiento de las normativas, normas y directivas vigentes en el país de utilización el personal especializado es capaz de ejecutar los trabajos descritos y reconocer posibles peligros por sí solo.

### 2.6 Rótulos, marcajes de seguridad

#### Placa de identificación manómetro de presión diferencial, versión no Ex (ejemplo)



#### Placa de identificación manómetro de presión diferencial, versión Ex (ejemplo)



- ① Modelo + electrónica de transmisores
- ② Código
- ③ Número de serie
- ④ Fecha de fabricación (mes/año)

- ⑤ Marcaje Ex
- ⑥ Alimentación auxiliar
- ⑦ Señal de salida
- ⑧ Rango de indicación



¡Es absolutamente necesario leer el manual de instrucciones antes del montaje y la puesta en servicio del instrumento!



### ¡Riesgo de quemaduras!

Situación probablemente peligrosa debido a superficies calientes.



El instrumento con este marcaje es un manómetro de seguridad con una pared divisora resistente a la fractura conforme a EN 837, diseño de seguridad "S3".



No eliminar en las basuras domésticas. Garantizar una eliminación correcta según las prescripciones nacionales.

### 2.7 Versión Ex

La versión Ex de los modelos 712.15.160 y 732.15.160 consiste exclusivamente en un manómetro diferencial mecánico con un transmisor incorporado, modelo 892.44.



### ¡PELIGRO!

#### **Peligro de muerte debido a la pérdida de la protección contra explosiones**

La inobservancia del contenido y de las instrucciones puede originar la pérdida de la protección contra explosiones.

- ▶ Observe las instrucciones de seguridad en este capítulo y otras indicaciones sobre explosiones en este manual de instrucciones.
- ▶ Cumplir las indicaciones del certificado de tipo así como las normativas vigentes en el país de utilización acerca de la instalación y el uso en atmósferas potencialmente explosivas (p. ej. IEC 60079-14, NEC, CEC).

Compruebe idoneidad de la clasificación para la aplicación. Tenga en consideración las respectivas leyes y reglamentos nacionales.

### Marcaje Ex

#### ATEX

#### IECEX

II 2G Ex ia IIC T4/T5/T6 Gb

### Rango de temperatura admisible

Para determinar la temperatura máxima en el instrumento se deben tener en cuenta además de la temperatura del medio otros parámetros influyentes como, p. ej., la temperatura ambiente y si aplica, la irradiación solar.

Clase de temperatura requerida (temperatura de ignición)	Rango de temperatura admisible en el instrumento
T6 y T5	-40 ... +60 °C
T4	-40 ... +80 °C

La instalación debe realizarse de tal forma que no se supere el rango de temperatura admisible del instrumento pero tampoco se sitúe por debajo de ella, aún teniendo en cuenta la influencia de convección y radiación térmica.

Tampoco se deben exceder los rangos de temperatura admisibles en el instrumento. Si es necesario, se deben tomar medidas de refrigeración (por ejemplo, sifón, válvula de instrumentación, etc.).

### 2.8 Condiciones especiales para un uso seguro (X-Conditions)

1. Para un uso seguro del instrumento, deben observarse todas las indicaciones, especialmente las relativas a la versión Ex, que se encuentran en los capítulos del presente manual de instrucciones.
2. La versión Ex del instrumento se puede utilizar en el siguiente **rango de temperatura ambiente  $T_a$** :
  - 40 °C ≤  $T_a$  ≤ +60 °C para clases de temperatura T6 y T5
  - 40 °C ≤  $T_a$  ≤ +80 °C para clase de temperatura T4
3. El rango de **temperatura del medio admisible  $T_m$**  debe ser respetado en el equipo:
  - 40 °C ≤  $T_m$  ≤ +60 °C para oxígeno
  - 40 °C ≤  $T_m$  ≤ +60 °C para clases de temperatura T6 y T5
  - 40 °C ≤  $T_m$  ≤ +80 °C para clase de temperatura T4

## 3. Transporte, embalaje y almacenamiento

### 3.1 Transporte

Comprobar si el instrumento presenta eventuales daños causados en el transporte. Notificar daños obvios de forma inmediata.



#### ¡CUIDADO!

#### Daños debidos a un transporte inadecuado

Transportes inadecuados pueden causar daños materiales considerables.

- ▶ Tener cuidado al descargar los paquetes durante la entrega o el transporte dentro de la compañía y respetar los símbolos en el embalaje.
- ▶ Observar las instrucciones en el capítulo 3.2 "Embalaje y almacenamiento" en el transporte dentro de la compañía.

### 3.2 Embalaje y almacenamiento

No quitar el embalaje hasta justo antes del montaje.

Guardar el embalaje ya que es la protección ideal durante el transporte (por. ej. si el lugar de instalación cambia o si se envía el instrumento para posibles reparaciones).

#### Condiciones admisibles en el lugar de almacenamiento:

Temperatura de almacenamiento: -20 ... +60 °C

#### Evitar lo siguiente:

- Luz solar directa o proximidad a objetos calientes
- Vibración mecánica, impacto mecánico (colocación brusca)
- Hollín, vapor, polvo y gases corrosivos
- Entorno potencialmente explosivo, atmósferas inflamables

**ES** Almacenar el instrumento en su embalaje original en un lugar que cumple las condiciones arriba mencionadas.

## 4. Puesta en servicio, funcionamiento

**Personal:** personal especializado

Antes de proceder con el montaje, la puesta en servicio y el funcionamiento asegurarse de que se haya seleccionado el instrumento adecuado en relación con rango de indicación, versión y condiciones de medición específicas.



#### ¡PELIGRO!

#### ¡Riesgo de muerte por explosión!

El uso en atmósferas fácilmente inflamables causa peligros de explosión que pueden causar la muerte.

- ▶ ¡Efectuar las tareas de equipamiento sólo en áreas sin peligro de explosión!



#### ¡ADVERTENCIA!

#### Lesiones corporales, daños materiales y del medio ambiente causados por medios peligrosos

En caso de contacto con medios peligrosos (p. ej. oxígeno, acetileno, inflamables o tóxicos) medios nocivos para la salud (p. ej. corrosivas, tóxicas, cancerígenas radioactivas) y con sistemas de refrigeración o compresores existe el peligro de lesiones corporales, daños materiales y del medio ambiente.

En caso de fallo es posible que haya medios agresivos con temperaturas extremas o de bajo presión en el instrumento.

- ▶ En el tratamiento de estos medios se debe observar las reglas específicas además de las reglas generales.
- ▶ Utilizar el equipo de protección necesario.



#### ¡ADVERTENCIA!

#### Lesiones corporales, daños materiales y del medio ambiente causados por escape de medios a alta presión

Cuando el instrumento está presurizado, el medio puede escapar bajo alta presión debido a un sellado deficiente de la conexión de proceso.

Debido a la alta energía del medio que se escapa en caso de avería, existe riesgo de lesiones corporales y daños materiales.

- ▶ El sellado de la conexión a proceso debe realizarse de forma profesional y se debe comprobar si presenta fugas.



### Requerimientos en el lugar de instalación

Si el tubo que conecta al instrumento de medición no fuera suficientemente estable para asegurar una conexión exenta de vibraciones, se debería instalar un soporte de montaje. Los instrumentos deben protegerse contra contaminación y fuertes oscilaciones de la temperatura ambiente.

#### 4.1 Montaje mecánico

El manómetro de presión diferencial se instala según las recomendaciones relativas al montaje para manómetros según EN 837-2 /7.

- Antes del montaje, limpie minuciosamente los conductos de medición, dando pequeños golpecitos, soplando y purgando.
- Los instrumentos deben montarse y operarse en ubicaciones libres de vibraciones. Fijación mediante cables de medición rígidos y/o 4 orificios de montaje M8 en la brida de medición.
- Proteger los manómetros contra obturación, grandes oscilaciones de temperatura y vibraciones.
- No debe excederse la temperatura máx. admisible del medio/ambiente.
- Montaje de la conexión a proceso según símbolos indicados,  $\oplus$  y  $\ominus$ .  
 $\oplus$  presión alta  $\Rightarrow$  presión en la parte baja del depósito ( $p_B$ )  
 $\ominus$  presión baja  $\Rightarrow$  presión de servicio / presión de superposición ( $p_D$ )

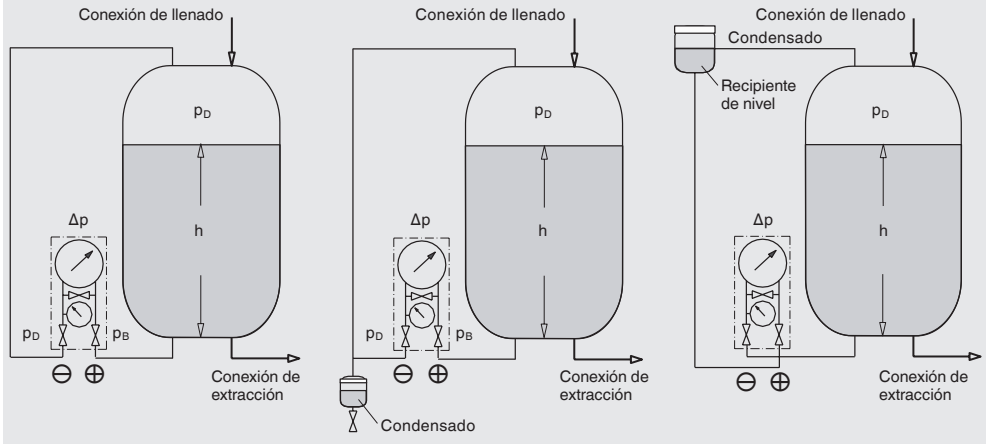
$$p_B = p_{FL} + p_D$$

(siendo  $p_{FL}$  = presión hidrostática del fluido =  $r \cdot g \cdot h$ )

## Tipos de montaje para medición de nivel

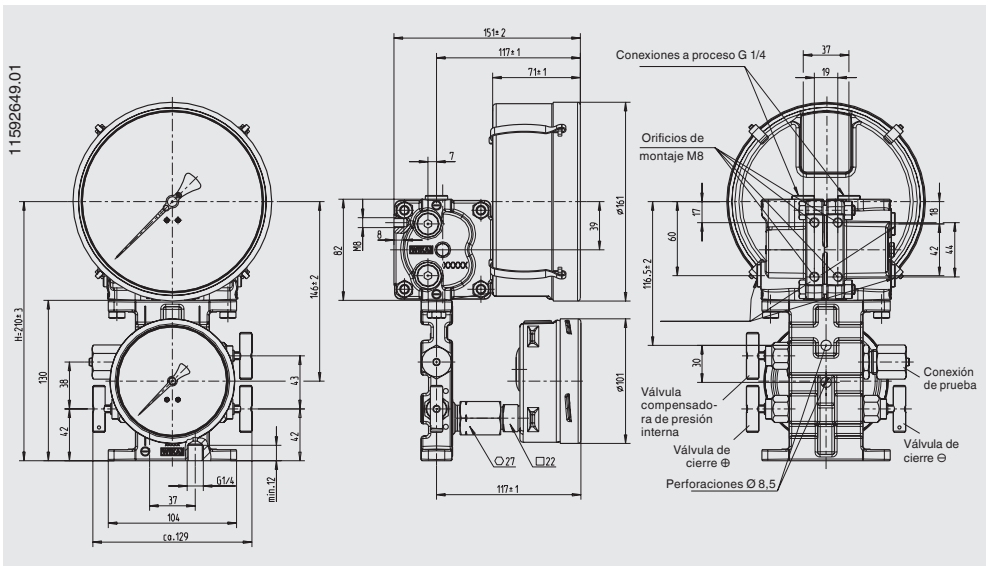
Estándar para contenedores criogénicos (gases licuados)

2 ejemplos de depósitos con purgador de condensado separado

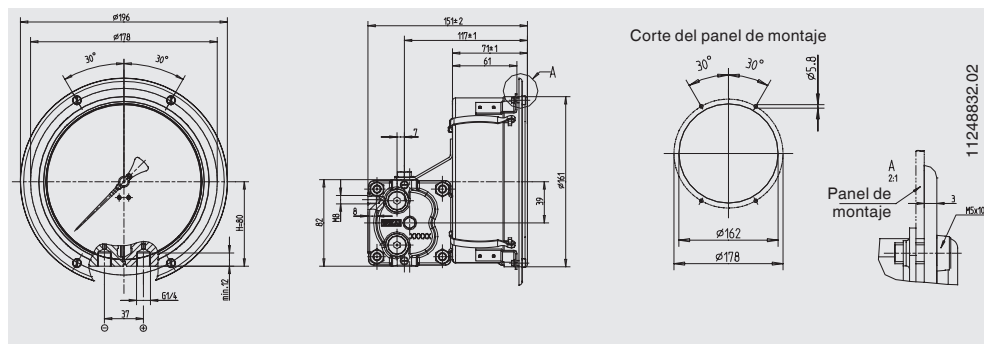


## Versión de montaje en pared

Fijación con 4 orificios de montaje M8 o usando 2 orificios de fijación de Ø 8,5 mm



### Montaje en panel (opción)



11248832.02

ES

### 4.2 Indicador de presión diferencial

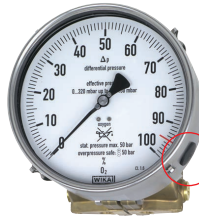
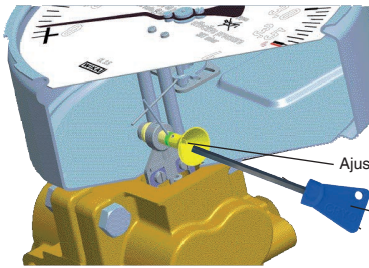
El span de medición del manómetro de presión diferencial se puede ajustar, según la célula de medida, a los límites de rangos de medición indicados en la tabla. El ajuste se debería realizar preferiblemente en el banco de pruebas o directamente en el punto de medición mediante una bomba de comprobación manual.

#### Límites del rango de medición

Célula de medida	Rangos de indicación configurables	
	de	a
140 mbar	0 ... 40 mbar	0 ... 140 mbar
280 mbar	0 ... 80 mbar	0 ... 280 mbar
560 mbar	0 ... 160 mbar	0 ... 560 mbar
1.130 mbar	0 ... 320 mbar	0 ... 1.130 mbar
2.300 mbar	0 ... 650 mbar	0 ... 2.300 mbar
4.000 mbar	0 ... 1.150 mbar	0 ... 4.000 mbar

### Ajuste de span

ES



Tapón para ajuste de span

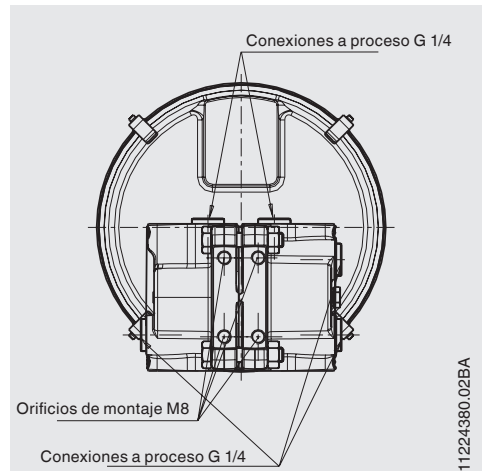


Giro hacia la derecha: Rango de medición menor  
 Giro hacia la izquierda: Rango de medición mayor

1. El ajuste del span es accesible en la superficie de la caja a las 4 horas, retirando el tapón.
2. Aplicar al instrumento la presión nominal deseada.
3. Insertar una llave allen (medida 3 mm) en el embudo guía y ajustar la aguja al valor final girando hacia la derecha (rango inferior) o hacia la izquierda (rango superior). Una vez finalizada esta operación, el instrumento queda ajustado al rango de medición deseado.
4. Si el instrumento está equipado con un transmisor modelo 89x.44, la señal de salida queda ajustada también al nuevo rango de medición.
5. Tras finalizar el ajuste se tiene que volver a cerrar el instrumento con el tapón.

### Conexiones a proceso adicionales

- Tres roscas hembra G 1/4 adicionales en la cámara negativa del medio (brida de célula de medición derecha mirando el instrumento desde atrás), por ejemplo para conectar un presostato, una válvula de seguridad o un sensor de presión modelo A-10 o IS-3
- Dos roscas hembra G 1/4 en la cámara positiva del medio (brida de célula de medición izquierda mirando el instrumento desde atrás), por ejemplo para recalibración

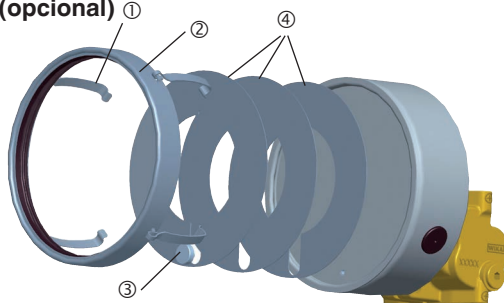


11224380.02BA

11265191.12.05/2021 EN/DE/FR/ES

### 4.3 Escalas intercambiables extraíbles (opcional)

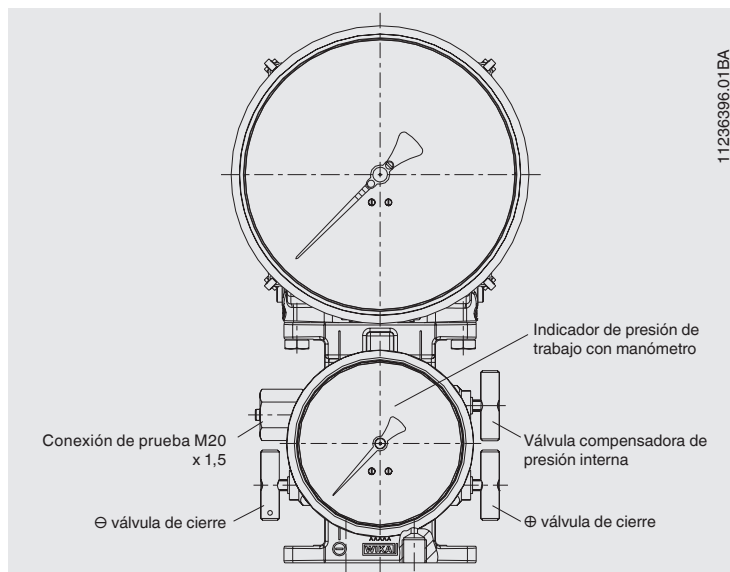
1. Aflojar la abrazadera de fijación de la caja del manómetro diferencial y retirar el anillo protector con la lente.
2. Aflojar y retirar el tornillo moleteado.
3. Retirar todas las escalas, colocar la escala deseada en la parte superior y volver a colocar las otras detrás.
4. Volver a insertar el tornillo moleteado y apretarlo.
5. Montar el anillo protector de la cubierta con la lente y las abrazaderas de fijación de nuevo.



- ① Abrazadera de fijación
- ② Anillo protector
- ③ Tornillo moleteado
- ④ Escalas

### 4.4 Manifold con indicador de presión de trabajo (opción)

Para añadir un indicador de presión de trabajo, se puede acoplar mediante brida directa un manifold compacto con manómetro.



### Indicador de presión de trabajo (opcional)

Versión no Ex: modelo 212.20.100

Versión Ex: Modelos 232.50.100, 232.30.100

### Funciones del manifold

- Cierre de la línea de proceso sin interrupciones de operación:
  - Para desmontaje y comprobación de dispositivos
  - Para proteger el dispositivo contra sobrepresiones inaceptables con un valor de presión de prueba  $n$  veces superior a la del sistema.
- Protección del instrumento contra picos de presión y golpes de ariete y, por lo tanto, de condiciones no especificadas de operación.
- Desactivación del instrumento, por ejemplo, si se requieren mediciones sólo esporádicamente durante períodos de funcionamiento prolongados (para aumentar la vida útil del instrumento en aplicaciones con elevada frecuencia de cambio de presión).
- Recalibración del manómetro diferencial (indicación de nivel)
  1. Cerrar las válvulas de cierre del lado  $\oplus$  y  $\ominus$
  2. Después, abrir la válvula compensadora de presión, esperar brevemente y luego volver a cerrarla
  3. El patrón de presión y el generador de presión se conectan en la cámara positiva del sistema de medición a través de una rosca hembra G  $\frac{1}{4}$  adicional.
  4. En el manifold, retirar el tornillo de conexión de prueba del lado  $\ominus$
  5. Ahora se puede aplicar presión al lado  $\oplus$   
Tras completar el ajuste:
    - Volver a apretar el tornillo de la conexión de prueba
    - Retirar nuevamente el patrón de presión y el generador de presión y cerrar la conexión
    - Abrir lentamente primero la válvula de cierre  $\oplus$ , luego la válvula de cierre  $\ominus$
- Conexión de prueba M20 x 1,5 para la comprobación del manómetro indicador de presión de trabajo. La válvula compensadora de presión permite la comprobación del punto cero durante el proceso en marcha (con la válvula abierta).
  1. Cerrar las válvulas de cierre del lado  $\oplus$  y  $\ominus$
  2. Después, abrir la válvula compensadora de presión
- El medio fluye desde el lado de alta presión al lado opuesto, hasta que la presión diferencial baja a valor cero (el indicador de presión diferencial debe moverse a cero, es decir, entrar en el área de la banda de tolerancia del punto cero; el funcionamiento del instrumento es entonces satisfactorio).
- En caso de desviación se puede realizar el ajuste del punto cero con la aguja micrométrica estándar (aflojar antes el aro bayoneta y quitar la mirilla y la junta). Se ajusta el punto cero girando el tornillo ranurado de la aguja indicadora. Después del ajuste del punto cero, fijar nuevamente el aro bayoneta incluyendo la mirilla y la junta, y cerrar la válvula compensadora de presión.
- En las versiones con componentes electrónicos de transmisión integrados, se debe ajustar el punto cero eléctrico.
  3. Volver a cerrar la válvula compensadora de presión
  4. Abrir lentamente primero la válvula de cierre  $\oplus$ , luego la válvula de cierre  $\ominus$



### Adaptador para la conexión a proceso (opcional)

Los adaptadores se pueden conectar mediante brida directamente al manómetro de presión diferencial o al manifold.

Están disponibles 4 diferentes conexiones al proceso:

- 2 roscas hembra G ½ NPT, distancia entre ejes 31 mm o 54 mm
- 2 roscas hembra G ¼ NPT, distancia entre ejes 31 mm o 54 mm



ES

En caso de pedido individual, todas las piezas necesarias para el montaje en el manómetro diferencial o en el manifold están incluidas en el alcance del suministro:

- 2 tornillos hexagonales M8 x 16
- 2 tornillos hexagonales M8 x 28
- 2 tuercas M8
- 2 Juntas anulares

### 4.5 Conexión eléctrica

La conexión eléctrica sólo la puede realizar personal especializado y cualificado. Integrar el instrumento en la conexión equipotencial de la instalación.

#### Sensor de presión para presión de trabajo (opcional)

Versión no Ex: modelo A-10

Versión Ex: modelo IS-3

Sensor de presión para presión de trabajo



Los sensores de presión para la presión de trabajo están roscados en el lado izquierdo de la cámara del medio  $\Theta$  y se pueden montar también in situ. Conexión de presión del sensor de presión: G 1/4 macho



Datos técnicos	A-10	IS-3
Hoja técnica	PE 81.60	PE 81.58
Para zonas potencialmente explosivas	No	Sí, seguridad intrínseca
Rangos de medición	0 ... 2,5 hasta 0 ... 60 bar	0 ... 2,5 hasta 0 ... 60 bar
Salidas	4 ... 20 mA	4 ... 20 mA (se requiere una alimentación auxiliar de repetidores)
Temperatura del medio	-30 ... +100 °C	-20 ... +60 °C
Temperatura ambiente	-30 ... +80 °C	-20 ... +60 °C
Partes en contacto con el medio	Acero inoxidable	Acero inoxidable
Alimentación auxiliar UB	DC 10 V < U <sub>B</sub> ≤ 30 V	DC 10 V < U <sub>B</sub> ≤ 30 V
Carga máxima admisible RA	R <sub>A</sub> ≤ (U <sub>B</sub> - 8 V) / 0,02 A	R <sub>A</sub> ≤ (U <sub>B</sub> - 10 V) / 0,02 A
Exactitud, ajuste de la banda de tolerancia, BFSL	≤ 0,5 % del span	≤ 0,2 % del span
Rango de temperatura compensado	0 ... +80 °C	0 ... +60 °C
Asignación de los bornes de conexión, 2 hilos		

¡Observe el manual de instrucciones del sensor de presión correspondiente, que se adjunta por separado!



### Contactos magnéticos de ruptura brusca (opcional)

Los contactos eléctricos para el indicador del nivel de llenado y/o presión de trabajo abren circuitos eléctricos en función de la posición del indicador de los instrumentos de medición.

#### Versión

Contacto magnético de ruptura brusca simple y doble, modelo 828

En el caso del contacto eléctrico en sistema modular, se trata de una unidad complementaria que se puede montar en el manómetro en pocos minutos. Los contactos eléctricos ofrecen el tipo de protección IP 65. El acoplamiento a los indicadores del valor nominal se realiza mediante una horquilla especial, para prescindir de cualquier vástago arrastrador en el propio indicador. Gracias a este montaje sencillo, el instrumento se puede convertir en un manómetro de contacto de forma extraordinariamente rápida y económica.

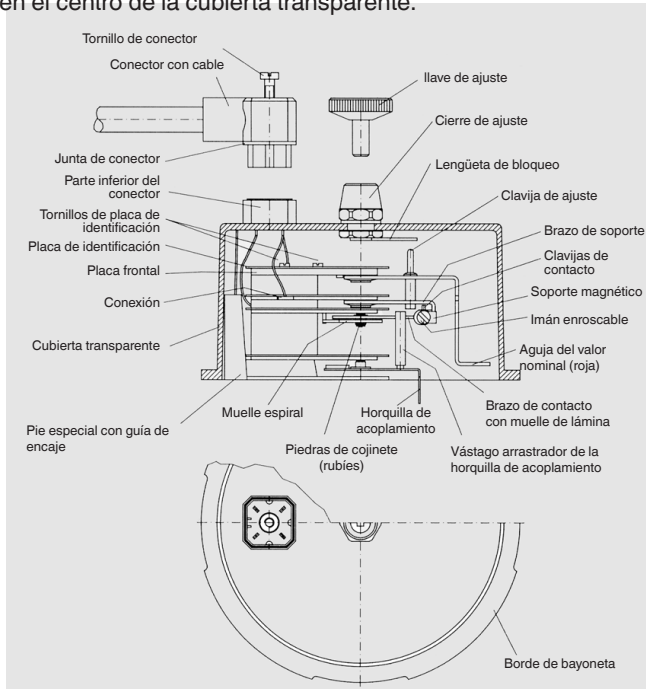
Los contactos eléctricos consisten esencialmente en:

- el contacto eléctrico ya cableado, equipado con un pie especial y un acoplamiento de horquilla,
- una cubierta transparente (de policarbonato) con una guía de encaje, que permite deslizar y fijar el interruptor mediante un tornillo de cruz,
- una parte inferior con conector (de 4 polos) moldeada o soldada con la cubierta transparente,
- un cierre de ajuste montado en el centro de la cubierta transparente.

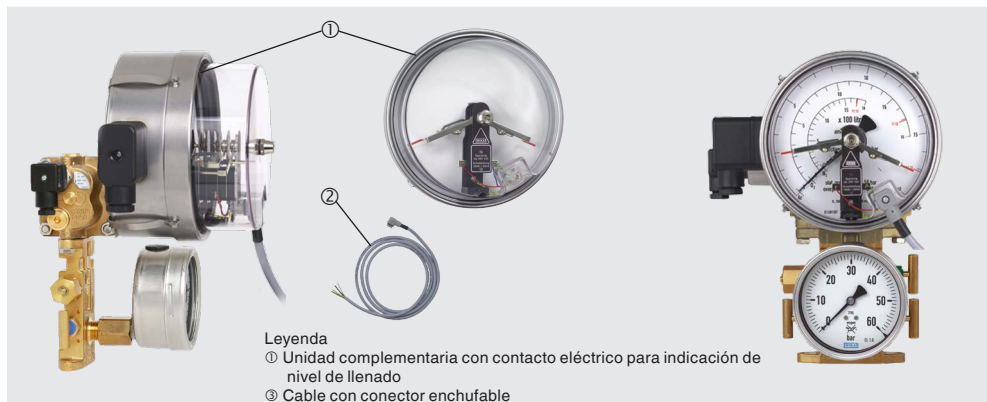
La aguja del contacto se ajusta al valor de conmutación requerido, desde el exterior, mediante la llave de ajuste. La llave de ajuste puede estar separada o integrada.

Los contactos del interruptor están diseñados para permitir que la aguja indicadora se siga desplazando más allá del valor real ajustado después de que el contacto se active, permaneciendo el contacto activado.

Este diseño garantiza, en caso de corte de corriente, una situación de contacto estable correspondiente a la posición del indicador de valor real.



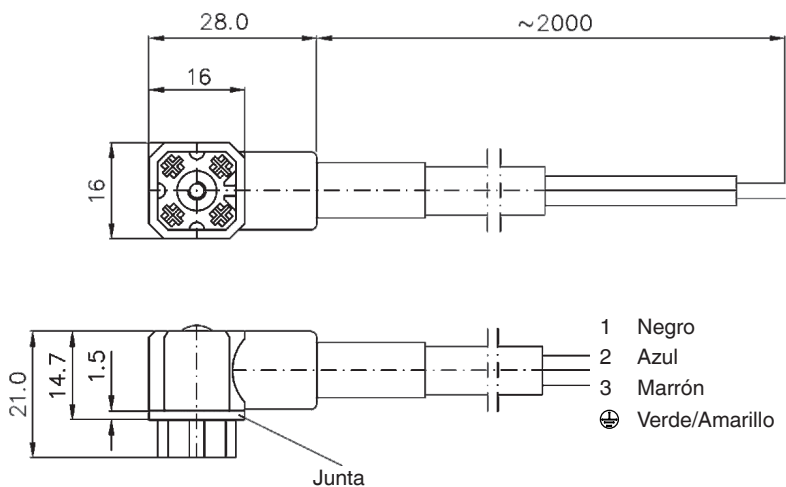
### Montaje de los contactos eléctricos



### Detalles del conexionado

Véase Anexo 1 “Detalles del conexionado para contactos magnéticos de ruptura brusca”.

### Cable con conector enchufable



### 4.6 Componentes electrónicos de transmisores integrados (opcional)

Versión no Ex: modelo 891.44

Versión Ex modelo 892.44

Véase capítulo 8 “Datos técnicos”

Los manómetros diferenciales WIKA con transmisor incorporado modelo 89x.44, combinan las ventajas de una indicación mecánica in situ con los requerimientos de una transmisión eléctrica de señales para un moderno registro del valor de medición en la industria.

La electrónica del transmisor está integrada en la caja del indicador de nivel. El span de medición (señal de salida eléctrica) se ajusta automáticamente con la indicación mecánica, es decir la escala de 270 grados angulares corresponde a 4 ... 20 mA (véase Indicador de presión diferencial).

#### Alimentación auxiliar, versión no Ex

Alimentación de corriente adecuada

Modelo KFA6-STR-1.24.500, CA 115/230 V, para carril DIN, código: 7305636

#### Alimentación auxiliar, versión Ex

El aparato sólo se debe utilizar en combinación con un separador de alimentación Ex adecuado.

Separador de alimentación Ex adecuado

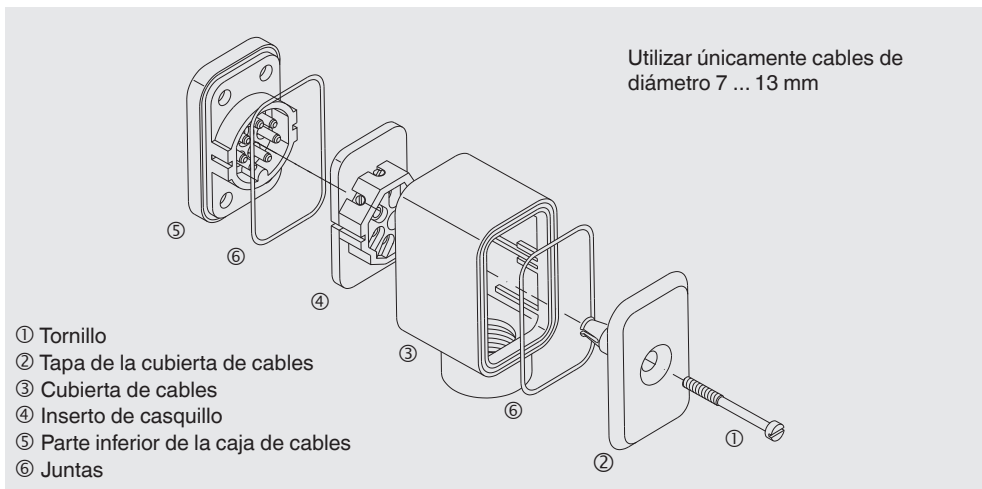
- Modelo KFD2-STC4-Ex1, CC 20 ... 35 V, para carril DIN, código: 2341268
- Modelo IS Barrier, DC 19,2 ... 30 V, para carril DIN, código: 14117118

#### Indicaciones de seguridad para la instalación

- Instalar los instrumentos conforme a las indicaciones del fabricante y de las normas y reglamentos vigentes.
- Únicamente conectar los cables de conexión del instrumento a circuitos eléctricos con la misma tensión y el mismo tipo de protección.
- Dimensionar las líneas de conexión para el máximo amperaje de los circuitos eléctricos y también prestar atención a que la resistencia mecánica y UV sea suficiente.
- En caso de líneas de conexión flexibles utilizar terminales aislados. Sección de cable máxima permitida 1,5 mm<sup>2</sup>.
- Los cables de conexión deben ser adecuados para el rango de temperatura ambiente de la aplicación.
- Las líneas de conexión también deben ser adecuadas para el prensaestopa suministrado (véase más abajo para el rango de diámetros).
- Sellar las entradas de cable con prensaestopas debidamente aprobados.
- Instalar el cable de conexión de forma segura.

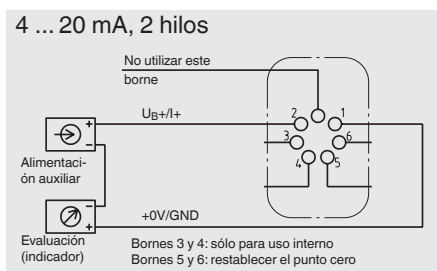
### Desmontaje de la caja de conexiones

La caja de conexiones está premontada y debe desmontarse como se describe a continuación.



- Con un destornillador de ranura (0,6 x 3,5 mm), aflojar completamente y retirar el tornillo de la cubierta de la caja de conexiones.
- Retirar la caja de conexiones junto al inserto de casquillo de la parte inferior de la caja (unida de forma fija al instrumento).
- Retirar la tapa de la caja de conexiones y presionar hacia abajo el inserto de casquillo, completamente a través de la caja.

### Detalles del conexionado de la caja de conexiones



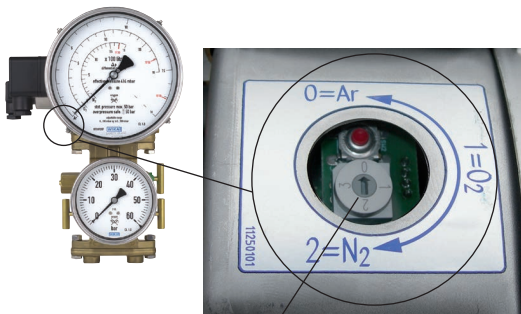
En caso de **escalas múltiples** o escalas intercambiables extraíbles (opcional), la señal de salida de 4 ... 20 mA correspondiente a cada escala se almacena en un microprocesador.

## 4. Puesta en servicio, funcionamiento

La señal de salida puede cambiarse para cada tipo de fluido girando el **conmutador BCD** opcional (accesible quitando el tapón situado en la parte lateral izquierda de la caja).

### Punto cero eléctrico (con opción de conmutador BCD)

En caso de ser necesario un ajuste del punto cero (p. ej. después de haber realizado una corrección del punto cero mecánico), primero se debe interrumpir la alimentación de corriente al instrumento (retirar el conector). Después se debe volver a establecer la alimentación de corriente (montar el conector), y dentro de 30 segundos, accionar el pulsador punto cero durante aprox. 1 segundo.



Conmutador BCD (conmutador de selección de escala) y pulsador de punto cero (tapón retirado)

ES

### Punto cero eléctrico sin opción de conmutador BCD

Si se ha modificado el punto cero mecánico mediante la aguja indicadora micrométrica, el punto cero eléctrico debe adaptarse a este nuevo valor mecánico. Para esto alcanzar el valor de presión del inicio de escala. El inicio de la escala corresponde a la señal eléctrica más pequeña.

Puentee los contactos 5 y 6 en el inserto de casquillo con un pequeño trozo de cable pelado en ambos extremos (resistencia máx. admisible 30  $\Omega$ ).

### Montaje de la caja de conexiones

- Conectar el inserto del zócalo a la tapa del cable y montar la tapa del cable con la junta y el tornillo (ver dibujo del zócalo del cable).
- Enchufar con junta el conjunto que acaba de ser montado en la parte inferior de la hembra para cables.
- Con un destornillador de ranura (0,6 x 3,5 mm), aflojar completamente y retirar el tornillo de la cubierta de la caja de conexiones.



Para asegurar el índice de protección, es imprescindible volver a montar las juntas.

Después de conectar la alimentación auxiliar, el nuevo punto cero se almacena en la electrónica del transmisor en un máximo de 30 segundos. Durante este tiempo, se puede medir un aumento de corriente en el bucle de corriente hasta 9,5 mA en una unidad de visualización (por ejemplo, un medidor de corriente) con fines de comprobación.

- Desconectar la alimentación auxiliar y la unidad de visualización.
- Realice el "Desmontaje de la caja de conexiones" descrito anteriormente.
- Retire el cable trenzado del inserto hembra para puentear los terminales 5 y 6.
- Realice el "Montaje de la caja de conexiones" descrito anteriormente.

La señal eléctrica de salida vuelve a ser idéntica con el indicador mecánico. Cierre todas las válvulas abiertas para el ajuste del punto cero.

## 5. Errores

Errores	Causas	Medidas
<b>No hay presión de entrada</b>	Válvula compensadora abierta.	Cerrar la válvula compensadora de presión.
<b>Sin señal de salida</b>	Alimentación auxiliar insuficiente o rotura de cables conductores.	Revisar la alimentación de corriente y los cables.
	Conexión errónea.	Revisar el conexionado.
	Electrónica de transmisores defectuosa debido a sobretensión.	Sustituir el instrumento.
<b>Señal de salida estable a pesar de la variación de presión</b>	Entrada de presión bloqueada	Limpiar el conducto de presión en la conexión a proceso.
	Fuente de alimentación erróneamente conectada (polaridad invertida). (I = aprox. 4,5 mA).	Revisar el conexionado.
	Electrónica de transmisores defectuosa	Sustituir el instrumento.
<b>Señal de salida demasiado elevada y constante a pesar de la variación de presión.</b>	Punteo de los bornes 5 y 6 no retirado (I = aprox. 9,5 mA).	Retirar el punteo de los terminales. Ajustar el punto cero.
	Electrónica de transmisores defectuosa debido a sobretensión.	Sustituir el instrumento.
<b>Insuficiente señal de span.</b>	Alimentación auxiliar insuficiente.	Revisar la alimentación de corriente y los cables.
	Impedancia de carga demasiado alta	Considere la carga máx. admisible.
	Punto cero desajustado.	Ajustar el punto cero.
<b>Señal de punto cero demasiado baja o demasiado alta.</b>	Punto cero desajustado.	Ajustar el punto cero.
	Sobrecarga mecánica	Sustituir el instrumento.

Para la sustitución del instrumento, leer el capítulo 7 “Desmontaje, devolución y eliminación de residuos” y 4 “Puesta en servicio, funcionamiento”.

## 6. Mantenimiento y limpieza

## 6.1 Mantenimiento

Los instrumentos no requieren mantenimiento.

Controlar el instrumento y la función de conmutación una o dos veces al año. Para eso, separar el instrumento del proceso y controlarlo con un dispositivo de control de presión.

**¡ADVERTENCIA!****Peligro de muerte debido a un llenado o rellenado inadmisibles del instrumento con pérdida de la protección contra explosiones.**

El llenado/rellenado del equipo por personas no autorizadas ocasionará la pérdida de la protección contra explosiones y puede resultar en daños al equipo.

- ▶ Si se desea devolver el instrumento, observar las indicaciones en el capítulo 7.2 "Devolución".

ES

Todas las reparaciones solamente las debe efectuar el fabricante.

**6.2 Limpieza****¡CUIDADO!****Lesiones corporales, daños materiales y del medio ambiente**

Una limpieza inadecuada provoca lesiones corporales, daños materiales y del medio ambiente. Medios residuales en el instrumento desmontado pueden causar riesgos para personas, medio ambiente e instalación.

- ▶ Realizar el proceso de limpieza tal como se describe a continuación.

1. Antes de proceder con la limpieza hay que separar debidamente el instrumento de cualquier fuente de presión, apagarlo y desenchufarlo de la red.
2. Utilizar el equipo de protección necesario.
3. Limpiar el instrumento con un trapo húmedo.
  - ¡No poner las conexiones eléctricas en contacto con la humedad!

**¡CUIDADO!****Daño al dispositivo**

¡Una limpieza inadecuada puede dañar el dispositivo!

- ▶ No utilizar productos de limpieza agresivos.
- ▶ No utilizar objetos duros o puntiagudos para limpiar.

4. Enjuagar y limpiar el dispositivo desmontado para proteger a las personas y el medio ambiente contra peligros por medios residuales adherentes.

**7. Desmontaje, devolución y eliminación de residuos****¡ADVERTENCIA!****Lesiones corporales, daños materiales y del medio ambiente por medios residuales**

Medios residuales en el instrumento desmontado pueden causar riesgos para personas, medio ambiente e instalación.

- ▶ Utilizar el equipo de protección necesario.
- ▶ Observar la ficha de datos de seguridad correspondiente al medio.
- ▶ Enjuagar y limpiar el dispositivo desmontado para proteger a las personas y el medio ambiente contra peligros por medios residuales adherentes.

### 7.1 Desmontaje



#### ¡PELIGRO!

##### **Peligro de muerte por corriente eléctrica**

Existe peligro directo de muerte al tocar piezas bajo tensión.

- ▶ El desmontaje del instrumento solo puede ser realizado por personal especializado.
- ▶ Desmontar el instrumento solo en estado de desconexión de la red.



#### ¡ADVERTENCIA!

##### **Lesión corporal**

Al desmontar existe el peligro debido a los medios agresivos y altas presiones.

- ▶ Observar la ficha de datos de seguridad correspondiente al medio.
- ▶ Desmontar el instrumento solo si no está sometido a presión.

### 7.2 Devolución

#### **Es imprescindible observar lo siguiente para el envío del instrumento:**

Todos los instrumentos enviados a WIKA deben estar libres de sustancias peligrosas (ácidos, lejías, soluciones, etc.) y, por lo tanto, deben limpiarse antes de devolver.



#### ¡ADVERTENCIA!

##### **Lesiones corporales, daños materiales y del medio ambiente por medios residuales**

##### **Medios residuales en el instrumento desmontado pueden causar riesgos para personas, medio ambiente e instalación.**

- ▶ En caso de sustancias peligrosas adjuntar la ficha de datos de seguridad correspondiente al medio.
- ▶ Limpieza del dispositivo, consultar el capítulo 7.2 "Limpieza".

Utilizar el embalaje original o un embalaje adecuado para la devolución del instrumento.



Comentarios sobre el procedimiento de las devoluciones encuentra en el apartado "Servicio" en nuestra página web local.

### 7.3 Eliminación de residuos

Una eliminación incorrecta puede provocar peligros para el medio ambiente. Eliminar los componentes de los instrumentos y los materiales de embalaje conforme a los reglamentos relativos al tratamiento de residuos y eliminación vigentes en el país de utilización.



No eliminar en las basuras domésticas. Garantizar una eliminación correcta según las prescripciones nacionales.



## 8. Datos técnicos

## 8.1 Rangos de temperatura admisibles

## Versión no Ex

## Modelos 712.15.160 y 732.15.160 opcional con modelo 891.44

<b>Ambiente</b>	-40 ... +60 °C con oxígeno -40 ... +80 °C
<b>Medio</b>	-40 ... +60 °C con oxígeno -40 ... +80 °C

ES

## Versión Ex

## Modelos 712.15.160 y 732.15.160 con modelo 892.44

<b>Ambiente</b>	-40 ... +60 °C para clases de temperatura T6 y T5 -40 ... +80 °C para clase de temperatura T4
<b>Medio</b>	-40 ... +60 °C con oxígeno -40 ... +60 °C para clases de temperatura T6 y T5 -40 ... +80 °C para clase de temperatura T4

## 8.2 Manómetro diferencial

## Modelos 712.15.160 y 732.15.160

<b>Diámetro nominal</b>	DN 160 (indicador de nivel de llenado)
<b>Presión máx. de trabajo (presión estática)</b>	50 bar
<b>A prueba de sobrecargas</b>	unilateral, bilateral y alternante hasta 50 bar
<b>Índice de protección</b>	IP65 según EN/IEC 60529
<b>Conexiones a proceso (en contacto con el medio)</b>	2 x G 1/4 (opcional: 2 x 1/4 NPT), rosca hembra, montaje vertical (LM), distancia entre ejes 37 mm Opción: Adaptador para la conexión a proceso
<b>Bridas de células de medida (en contacto con el medio)</b>	Modelo 712.15: aleación de cobre CW614N (CuZn39Pb3) Modelo 732.15: acero inoxidable 316L
<b>Elementos sensibles (en contacto con el medio)</b>	Muelle acero inoxidable 1.4310
	Membrana divisoria, NBR
	Piezas de transmisión, acero inoxidable 1.4301 y 1.4305
<b>Mecanismo</b>	Piezas de desgaste de acero inoxidable
<b>Esfera</b>	Aluminio blanco (véanse también las versiones de escalas)
<b>Aguja</b>	Aguja micrométrica, aluminio negro
<b>Caja / aro</b>	Acero inoxidable con aro bayoneta
<b>Mirilla</b>	Policarbonato (PC)

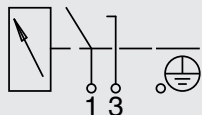
## 8.3 Componentes electrónicos de transmisores integrados (opcional)

Datos técnicos	Modelos 891.44 y 892.44 (Versión Ex)
Alimentación auxiliar UB	Versión no Ex, modelo 891.44: CC 12 V < U <sub>B</sub> ≤ 30 V Versión Ex, modelo 892.44: CC 14 V < U <sub>B</sub> ≤ 30 V
Influencia de la alimentación auxiliar	≤ 0,1 % del valor final/10 V
Ondulación residual admisible	≤ 10 % ss
Señal de salida	4 ... 20 mA, 2 hilos
Carga máxima admisible R <sub>A</sub>	R <sub>A</sub> ≤ (U <sub>B</sub> - 12 V)/0,02 A con R <sub>A</sub> en Ω y U <sub>B</sub> en V, pero máx. 600 Ω
Efecto de la carga	≤ 0,1 % del valor final
<b>Ajustabilidad</b>	
Punto cero eléctrico	mediante puentado de los bornes 5 y 6 o con interruptor BCD a través del pulsador del punto cero <sup>1)</sup>
Selección de escala (opción)	Se pueden ajustar 4 escalas mediante el interruptor BCD
Desviación de la curva característica	≤ 1,0 % del span (ajuste de puntos límite)
Rango de temperatura compensado	-40 ... +80 °C
<b>Coefficientes de temperatura en el rango de temperatura compensada</b>	
CT medio del punto cero	≤ 0,3 % del span/10 K
CT medio del span	≤ 0,3 % del span/10 K
<b>Conexión eléctrica</b>	Caja de conexiones PA 6, negra Según VDE 0110 grupo de aislamiento C/250 V Prensaestopa M20 x 1,5 Con descarga de tracción 6 terminales de tornillo + PE para una sección de cable conductor de 2,5 mm <sup>2</sup> .
<b>Protección eléctrica</b>	Protección contra polarización inversa y sobretensiones
<b>Índice de protección</b>	IP65 según EN/IEC 60529
<b>Valores de seguridad máx. para versión Ex, modelo 892.44</b>	
Alimentación auxiliar U <sub>i</sub>	DC 14 ... 30 V
Corriente de cortocircuito I <sub>i</sub>	≤ 100 mA
Potencia P <sub>i</sub>	≤ 720 mW
Capacidad interna C <sub>i</sub>	≤ 17,5 nF
Inductividad interna L <sub>i</sub>	despreciable

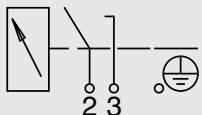
1) Solo es posible dentro de los 30 segundos siguientes tras establecer la alimentación de corriente

**Single contact, model 828.1**

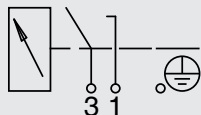
828.1\_13



828.1\_23

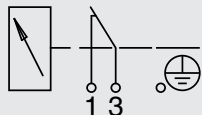


828.1\_31

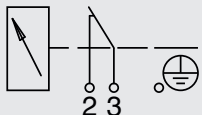


**Single contact, model 828.2**

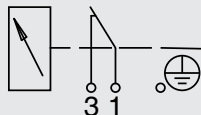
828.2\_13



828.2\_23

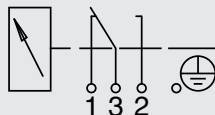


828.2\_31

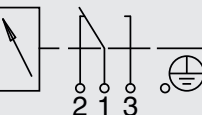


**Single contact, model 828.3**

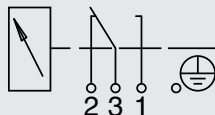
828.3\_132



828.3\_213

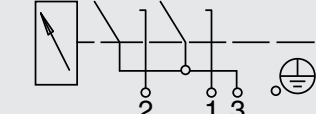


828.3\_231

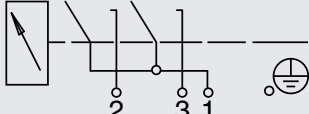


**Double contact, model 828.11**

828.11\_213

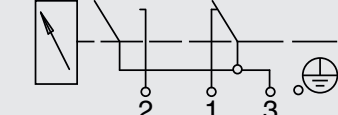


828.11\_231

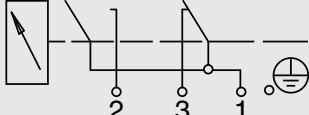


**Double contact, model 828.12**

828.12\_213

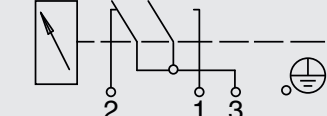


828.12\_231

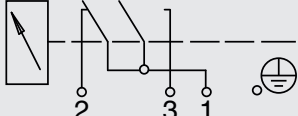


**Double contact, model 828.21**

828.21\_213

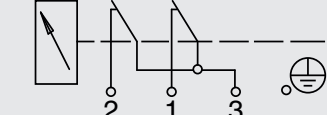


828.21\_231

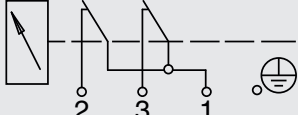


**Double contact, model 828.22**

828.22\_213



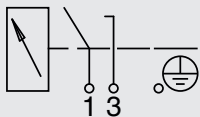
828.22\_231



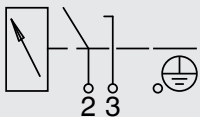
11265191.12 05/2021 EN/DE/FR/ES

## Einfachkontakt, Typ 828.1

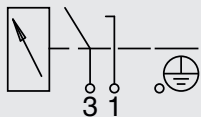
828.1\_13



828.1\_23

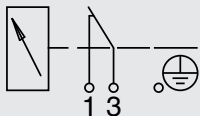


828.1\_31

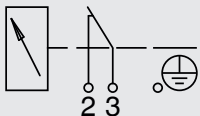


## Einfachkontakt, Typ 828.2

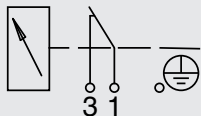
828.2\_13



828.2\_23

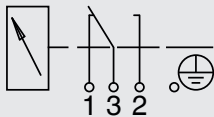


828.2\_31

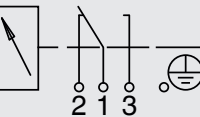


## Einfachkontakt, Typ 828.3

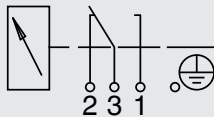
828.3\_132



828.3\_213

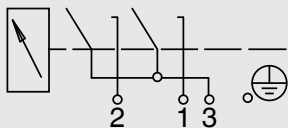


828.3\_231

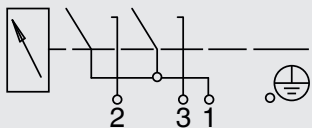


## Zweifachkontakt, Typ 828.11

828.11\_213

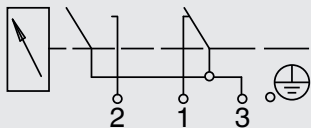


828.11\_231

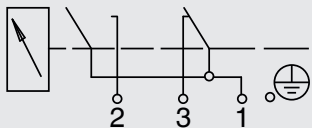


## Zweifachkontakt, Typ 828.12

828.12\_213

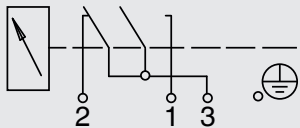


828.12\_231

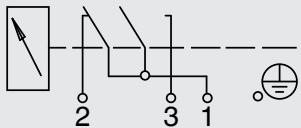


## Zweifachkontakt, Typ 828.21

828.21\_213

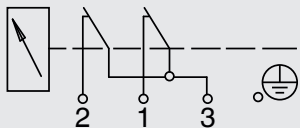


828.21\_231

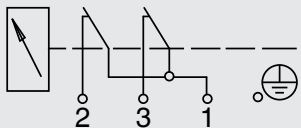


## Zweifachkontakt, Typ 828.22

828.22\_213

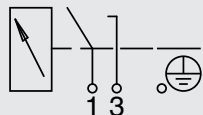


828.22\_231

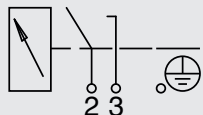


**Contact simple, type 828.1**

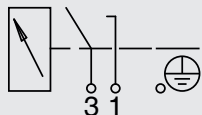
828.1\_13



828.1\_23

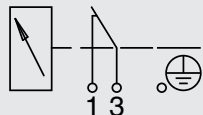


828.1\_31

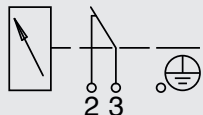


**Contact simple, type 828.2**

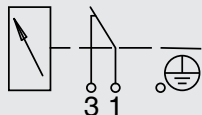
828.2\_13



828.2\_23

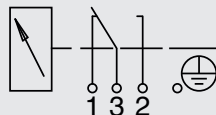


828.2\_31

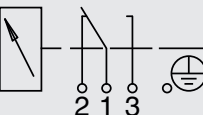


**Contact simple, type 828.3**

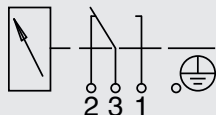
828.3\_132



828.3\_213

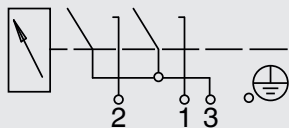


828.3\_231

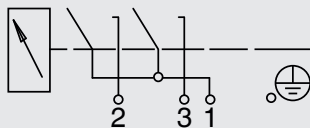


**Contact double, type 828.11**

828.11\_213

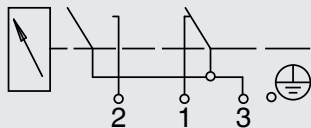


828.11\_231

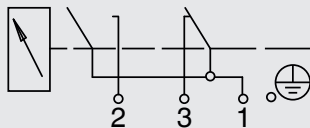


**Contact double, type 828.12**

828.12\_213

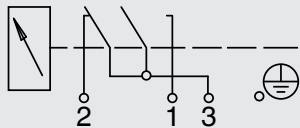


828.12\_231

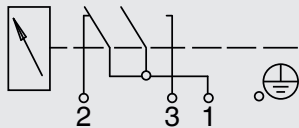


**Contact double, type 828.21**

828.21\_213

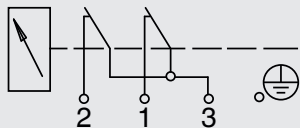


828.21\_231

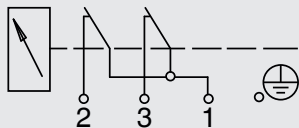


**Contact double, type 828.22**

828.22\_213

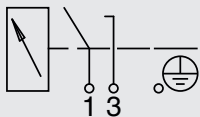


828.22\_231

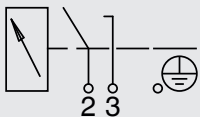


**Contacto simple, modelo 828.1**

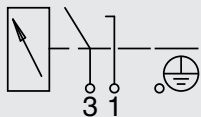
828.1\_13



828.1\_23

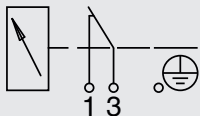


828.1\_31

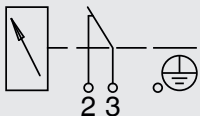


**Contacto simple, modelo 828.2**

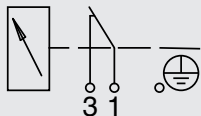
828.2\_13



828.2\_23

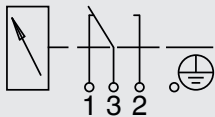


828.2\_31

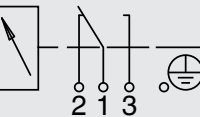


**Contacto simple, modelo 828.3**

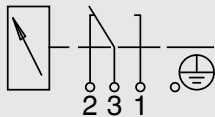
828.3\_132



828.3\_213

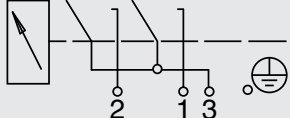


828.3\_231

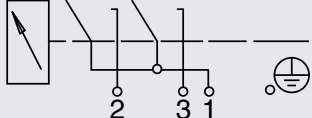


**Contacto doble, modelo 828.11**

828.11\_213

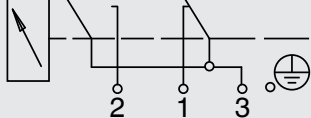


828.11\_231

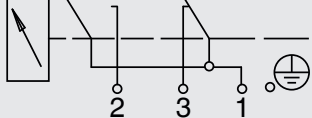


**Contacto doble, modelo 828.12**

828.12\_213

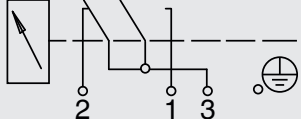


828.12\_231

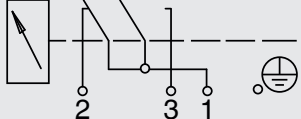


**Contacto doble, modelo 828.21**

828.21\_213

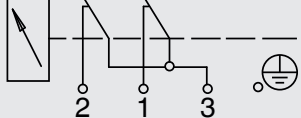


828.21\_231

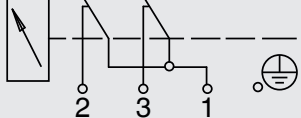


**Contacto doble, modelo 828.22**

828.22\_213



828.22\_231





**EU-Konformitätserklärung**  
**EU Declaration of Conformity**

**Dokument Nr.:** 14336004.01  
**Document No.:**

Wir erklären in alleiniger Verantwortung, dass die mit CE gekennzeichneten Produkte  
*We declare under our sole responsibility that the CE marked products*

**Typenbezeichnungen:** 712.15.1x0 mit Option I with option +892.44 <sup>(1)</sup>  
**Type Designations:** 732.15.1x0 mit Option I with option +892.44 <sup>(1)</sup>

**Beschreibung:** Druckmessgerät mit integriertem 4 – 20 mA Ausgang  
**Description:** Pressure gauges with integrated 4 – 20 mA output

gemäß gültigen Datenblättern:  
*according to the valid data sheets:* PM 07.29, PM 07.30

die wesentlichen Schutzanforderungen der folgenden Richtlinien erfüllen: Harmonisierte Normen:  
*comply with the essential protection requirements of the directives: Harmonized standards:*

2011/65/EU	Gefährliche Stoffe (RoHS) <i>Hazardous substances (RoHS)</i>	EN 50581:2012
2014/30/EU	Elektromagnetische Verträglichkeit (EMV) <i>Electromagnetic Compatibility (EMC)</i>	EN 61326-1:2013 EN 61326-2-3:2013
2014/34/EU	Explosionsschutz (ATEX) <sup>(2)</sup> <i>Explosion protection (ATEX) <sup>(2)</sup></i>	EN 60079-0:2012 +A11:2013 EN 60079-11:2012
	II 2G Ex ia IIC T6/T5/T4 Gb	

(1) x Nenngröße (NG): 0 = 100 mm / 6 = 160 mm  
*x Nominal size (NS):*

(2) EU-Baumusterprüfbescheinigung BVS 15 ATEX E 073 X von DEKRA EXAM GmbH, Bochum (Reg.-Nr. 0158).  
*EU type-examination certificate BVS 15 ATEX E 073 X von DEKRA EXAM GmbH, Bochum (Reg. no. 0158).*

Unterzeichnet für und im Namen von / *Signed for and on behalf of*

**WIKAI Alexander Wiegand SE & Co. KG**

Klingenberg, 2019-06-18

Alfred Häfner, Vice President  
Process Instrumentation Pressure

Dr. Michael Glombitza, Head of Quality Management  
Process Instrumentation Pressure

WIKAI Alexander Wiegand SE & Co. KG  
Alexander Wiegand-Strasse 30  
63911 Klingenberg  
Germany

Tel +49 9372 132-0  
Fax +49 9372 132-406  
E-Mail info@wika.de  
www.wika.de

Kommanditgesellschaft, Sitz Klingenberg –  
Amtsgericht Aschaffenburg HRA 1819

Komplementärin:  
WIKAI International SE - Sitz Klingenberg -  
Amtsgericht Aschaffenburg HRB 10505  
Vorstand: Alexander Wiegand  
Vorsitzender des Aufsichtsrats: Dr. Max Egli

19AR-03323

11265191.12 05/2021 EN/DE/FR/ES

WIKA subsidiaries worldwide can be found online at [www.wika.com](http://www.wika.com).  
WIKA-Niederlassungen weltweit finden Sie online unter [www.wika.de](http://www.wika.de).  
La liste des filiales WIKA dans le monde se trouve sur [www.wika.fr](http://www.wika.fr).  
Sucursales WIKA en todo el mundo puede encontrar en [www.wika.es](http://www.wika.es).



**WIKAI Alexander Wiegand SE & Co. KG**

Alexander-Wiegand-Straße 30  
63911 Klingenberg/Germany  
Tel. +49 9372 132-0  
Fax +49 9372 132-406  
[info@wika.de](mailto:info@wika.de)  
[www.wika.de](http://www.wika.de)